

Министерство здравоохранения Республики Беларусь
УЧРЕЖДЕНИЕ ОБРАЗОВАНИЯ
«ГРОДНЕНСКИЙ ГОСУДАРСТВЕННЫЙ МЕДИЦИНСКИЙ
УНИВЕРСИТЕТ»



**СОВРЕМЕННЫЕ ДОСТИЖЕНИЯ МОЛОДЫХ
УЧЕНЫХ В МЕДИЦИНЕ 2019**

*Сборник материалов
VI Республиканской научно-практической конференции
с международным участием*

29 ноября 2019 года

Гродно
ГрГМУ
2019

УДК 61:005.745(06)
ББК 5я43
С 568

Рекомендовано Редакционно-издательским советом ГрГМУ (протокол № 14 от 14.11.2019)

Редакционная

коллегия: ректор, чл.-корр. НАН Беларуси, д-р мед. наук, проф.
В. А. Снежицкий (отв. редактор);
первый проректор, доц. В. В. Воробьев;
проректор по научной работе, проф. С. Б. Вольф;
председатель СМУ, канд. мед. наук, доц. А. В. Глуткин.

Рецензенты:

М. Н. Курбат, зав. НИЛ, канд. мед. наук, доц.;
А. В. Глуткин, канд. мед. наук, доц. каф. детской хирургии;
Ю. В. Кухарчик, канд. мед. наук, доц. каф акушерства и гинекологии.

Современные достижения молодых ученых в медицине 2019
С 568 [Электронный ресурс] : сборник материалов VI Республиканской научно-практической конференции с международным участием, 29 ноября 2019 г. / [редкол.: В. А. Снежицкий (отв. ред.) [и др.]. – Электрон. текстовые дан. и прогр. (объем....). – Гродно : ГрГМУ, 2019. – 1 электрон. опт. диск (CD-ROM).
ISBN 978-985-595-204-7.

В сборнике материалов представлены результаты исследований в разных областях экспериментальной и клинической медицины, излагаются современные и перспективные методы диагностики, лечения и профилактики заболеваний.

Материалы будут полезны студентам, научным работникам и врачам всех специальностей.

Авторы несут ответственность за достоверность представленных данных, неправомерное использование объектов интеллектуальной собственности и объектов авторского права в соответствии с действующим законодательством.

УДК 61:005.745(06)
ББК 5я43

ISBN 978-985-595-204-7

© ГрГМУ, 2019

CHLORHEXIDINE SENSITIVITY OF MICROORGANISMS IN BIOFILMS

Mohammad S. A., Sokolova T. N.

*Yanka Kupala State University of Grodno, Grodno
m.salah.19931993@gmail.com*

Introduction. For the treatment of upper respiratory tract infections, various antimicrobial drugs are used, including antiseptics. Antiseptics - antimicrobial agents that have a bacteriostatic and bactericidal action on microorganisms directly in the focus of inflammation. The sensitivity to antiseptics in microorganisms is different. In recent years, more and more strains are found with resistance to them. Being in the biofilm, microorganisms additionally acquire resistance to the antibacterial drugs used, which creates additional obstacles in the treatment and causes a recurrent and chronic course of infectious and inflammatory processes [1, 2].

Chlorhexidine digluconate is a cationic bisguanidine developed in the UK in 1950. It was a first accepted antiseptic agent for skin and wounds worldwide. In addition to high antimicrobial activity, chlorhexidine is able to bind to different biologic substrates while preserving its antimicrobial activity and then release slowly which result in maintaining effective drug concentrations. Although an over 60-year clinical experience, there has been no evidence of resistance to chlorhexidine to date. Chlorhexidine digluconate remains one of the important antiseptic preparations for prophylaxis of nosocomial infections [3]. Chlorhexidine is an ideal broad-spectrum antimicrobial. It is effective against Gram-positive bacteria, Gram-negative bacteria and fungi. These organisms are commonly associated with Healthcare-Associated Infections. With its low toxicity level, chlorhexidine offers a safe side effect profile. For nearly 60 years, chlorhexidine has been used by hospitals and clinics as a disinfectant and antiseptic for topical and hard-surface applications. Chlorhexidine has become an integral part of the strategy to prevent the transmission of disease and nosocomial infections. Chlorhexidine is used to kill bacteria that cause infections. It is found in many medicines that are applied directly to the affected area of the body. It is an antiseptic treatment. It is used to treat and prevent infections. In general, this drug is used where infections of the skin, mouth or throat are present or may arise. The treatment and prevention

of infections of minor cuts, grazes, burns and scalds, athlete's foot, blisters, stings and insect bites, spots, chapped or rough skin and minor infections of the mouth or throat. It is also used for cleaning the skin before injections and small operations.

Purpose of the study. Determination of the sensitivity of microorganisms isolated from patients with diseases of the upper respiratory tract to Chlorhexidine.

Materials and methods. The object of the study was microorganisms taken from the pathological material of patients: *Staphylococcus aureus*, *Enterococcus faecium*, *Klebsiella pneumoniae*. Subject of research was features of the study of the sensitivity of microorganisms in biofilms to antiseptics Chlorhexidine. Chlorhexidine manufacturer RUE Belmedpreparaty Belarus, dosage form: Solution for external use 0.5 mg / ml. Active ingredient: chlorhexidine bigluconate in the form of a desin - chlorhexidine bigluconate concentrate 20% solution) - 50 mg.

For the growth of biofilms, sterile 96-well polystyrene U-shaped plates with a volume of 323 μ l were used. The sensitivity of microorganisms in biofilms was studied using antiseptic - Chlorhexidine in various concentrations. The studies used a solution of Chlorhexidine proposed by the manufacturer of 0.5 mg / ml and its double dilutions: 0.25 mg/ml, 0.125 mg/ml, 0.063 mg/ml and with an exposure of 30 seconds, 1 minute, 3 minutes and 5 minutes. 1% resazurin solution were added to record the redox potential in the wells. The results were processed using methods of variation statistics using the standard licensed program STATISTICA 6.0.

Research results. The results of a study of the antimicrobial effect on biofilms with *S.aureus* showed that chlorhexidine at these concentrations has a bacteriostatic effect. The maximum growth retardation of *S.aureus* in biofilms was 6 hours at an antiseptic concentration of 0.5 mg/ml with an exposure of 30 seconds or more, and at a concentration of 0.25 mg/ml with an exposure of 3 and 5 minutes. When using lower concentrations, the growth retardation of microorganisms was reduced. The results are presented in table 1.

Table 1. – Growth retardation time on biofilms with *S.aureus* under the action of Chlorhexidine

Time exposures	Concentrations of Chlorhexidine			
	0.5 mg/ml	0.25 mg/ml	0.125 mg/ml	0.063 mg/ml
1/2min.	6	3	2	1
1min.	6	3	2	1
3min.	6	6	4	2
5min.	6	6	5	2

The antimicrobial activity of Chlorhexidine on biofilms consisting of *E. faecium* was bacteriostatic. The maximum growth retardation of *E. faecium* in biofilms was 7 hours at an antiseptic concentration of 0.5mg/ml with an exposure of 3 minutes or more. At a concentration of 0.25mg/ml with an exposure of 3 and 5 minutes, the maximum growth retardation of *E. faecium* in biofilms was 5 hours. When using lower concentrations, the growth retardation of microorganisms was reduced. The results are presented in table 2.

Table 2. – The effect of Chlorhexidine on biofilm growth with *E. faecium*

Time exposures	Concentrations of Chlorhexidine			
	0.5 mg/ml	0.25 mg/ml	0.125 mg/ml	0.063 mg/ml
1/2min	6	4	3	2
1min.	6	4	3	3
3min.	7	5	4	3
5min.	7	5	5	4

Chlorhexidine had a bacteriostatic effect on biofilms consisting of *K. pneumoniae*, but its activity was lower than on other microorganisms. The antiseptic inhibited the growth of *K. pneumoniae* up to 6 hours at a concentration of antiseptic 0.5 mg / ml (100%) only with an exposure of 5 minutes. At lower concentrations, the antimicrobial activity of chlorhexidine on *K. pneumoniae* decreased. The results are presented in table 3.

Table 3. – The effect of Chlorhexidine on biofilm growth with *K. pneumoniae*

Time exposures	Concentrations of Chlorhexidine			
	0.5 mg/ml	0.25 mg/ml	0.125 mg/ml	0.063 mg/ml
1/2min	4	3	1.5	0.5
1 min	4	4	1.5	0.5
3 min.	5	5	2	1
5 min.	6	5	2	1

Conclusions. As the results of the study showed that Chlorhexidine has a bacteriostatic effect on all studied microorganisms in the composition of biofilms.

In the concentration proposed by the manufacturer, the antiseptic inhibits the growth of microorganisms in the biofilm (except *Klebsiella pneumoniae*) for 6 hours with an exposure of 30 seconds. Its antimicrobial activity is more dependent on concentration than on exposure to antiseptic. In low concentrations of Chlorhexidine, the best bacteriostatic activity was at an exposure of 3 and 5 minutes.

References

1. Ljamin, A.V. Problemy v medicine, svjazannye s bakterial'nymi bioplenkami. / Ljamin A.V., Botkin E.A., Zhestkov A.V. // 2012. Т. 14(4). S. 268–275 (in Russian)].
2. Suh J.D., Cohen N.A., Palmer J.N. Biofilms in chronic rhinosinusitis // Current Opinion in Otolaryngology and Head and Neck Surgery. 2010. Vol. 18(1). P. 27–31.
3. Zverkov1, A.V. Chlorhexidine: Past, Present, and Future of the Famous Antiseptic Agent / A.V. Zverkov1, A.P. Zouzova // Клинико-микробиологический журнал. - 2013, - Том 15, P. 279-286.

THE EFFECT OF FAZIKAR ON MICROORGANISMS IN BIOFILMS

Murtadha shakir Dahham, Sokolova T.N.

*Yanka Kupala State University of Grodno, Grodno
murtadhshaker99zz@gmail.com*

Introduction. The problems of diagnosis and treatment of patients suffering from upper respiratory tract diseases have not lost their significance to the present time. These diseases account for more than half of all calls to the doctor [1, 2]. To treat diseases of the upper

respiratory tract caused by microorganisms, antibiotics are use first. Sensitivity to antibiotics in microorganisms is different. More recently, strains with resistance to them have been find more and more. In addition, difficulties in the treatment of these infections are associated with the ability of microorganisms to form microbial biofilms in the patient's body, in which they acquire increased resistance to the antibacterial drugs used. It was find that microorganisms in the biofilm could survive when antibiotics are applies at such high concentrations that cannot be achieved in the human body at standard therapeutic dosages, which often leads to ineffective treatment and the transition of the disease to a chronic form [3]. Unfortunately, to date, in real clinical conditions, the determination of the sensitivity/resistance of microorganisms to antibiotics and other chemotherapeutic drugs do not consider this fact. Azikar is often use to treat such diseases. It is a pharmaceutical drug, which is tries after all other drug options have failed to produce an adequate response in the patient

Purpose of the study. Determination of the sensitivity of microorganisms isolated in patients with lower respiratory tract diseases to Azikar

Materials and methods. The object of the study was microorganisms taken from the pathological material of patients with respiratory diseases *S. saprophyticus*, *S. aureus*204. Subject of research was features of the study of the sensitivity of microorganisms in biofilms to Azikar. Azikar inhibit the utilization of the bactoprenol lipid intermediates for the synthesis of bacterial cell wall. For the growth of biofilms, sterile 96-well polystyrene U-shaped plates with a volume of 323 μ l were use. The sensitivity of microorganisms in biofilms was studies using Azikar in various concentrations: 500 μ g/ml, 250 μ g/ml, 125 μ g/ml, 63 μ g/ml, 32 μ g/ml. The control was a well with a biofilm of microorganisms in a nutrient medium without antibiotic. Changes in the wells were record every hour using a spectrophotometer

Research results. The results of a study of the antimicrobial effect on biofilms with *S. saprophyticus* showed that Azikar at these concentrations has a bacteriostatic effect. The growth of bacteria with a concentration of 500 antibiotics is very low because of activity of Azikar against *S. saprophyticus* biofilm. When the concentration of Azikar is less than 500, it is less effective on the *S. saprophyticus* biofilm. The results are present in table 1.

Table 1. – Change in optical density of *S. saprophyticus* biofilm in a medium with different concentrations of Azikar

Time	Azikar concentration $\mu\text{g/ml}$					
	500	250	125	63	32	control
0	0,733	1,11	1,079	1,04	0,984	1,081
1 h	0,857	1,159	1,61	1,177	1,291	1,313
2h	0,873	1,16	1,227	1,355	1,44	1,46

The changes that occur with the biofilm in the presence of an antibiotic in comparison with the control are present in the figure 1.

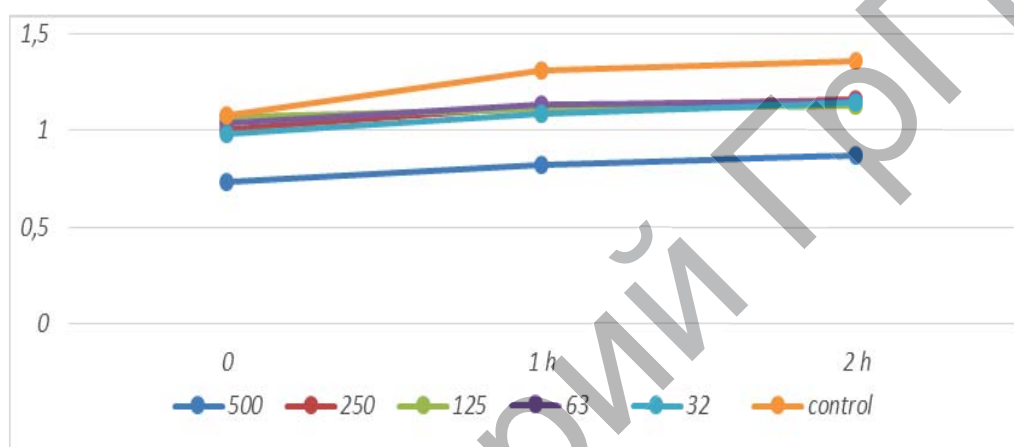


Figure 1. – Bacteriostatic activity of Azikar against *S. saprophyticus* biofilm growth at various concentrations

Azikar in the studied concentrations had a weak bacteriostatic effect on the biofilms of *S. aureus204*. The results are present in table 2.

Table 2. – Change in optical density of *S. aureus204* biofilm in a medium with different concentrations of Azikar

Time	Azikar concentration $\mu\text{g/ml}$					
	500	250	125	63	32	control
0	0.227	1.091	1.095	0.885	1.095	0.273
1 h	0.475	1.236	1.491	1.36	1.494	0.736
2h	0.492	1.229	1.44	1.248	1.417	0.793

The changes that occur with the biofilm of *S. aureus204* in the presence of an antibiotic in comparison with the control are present in the figure 2.

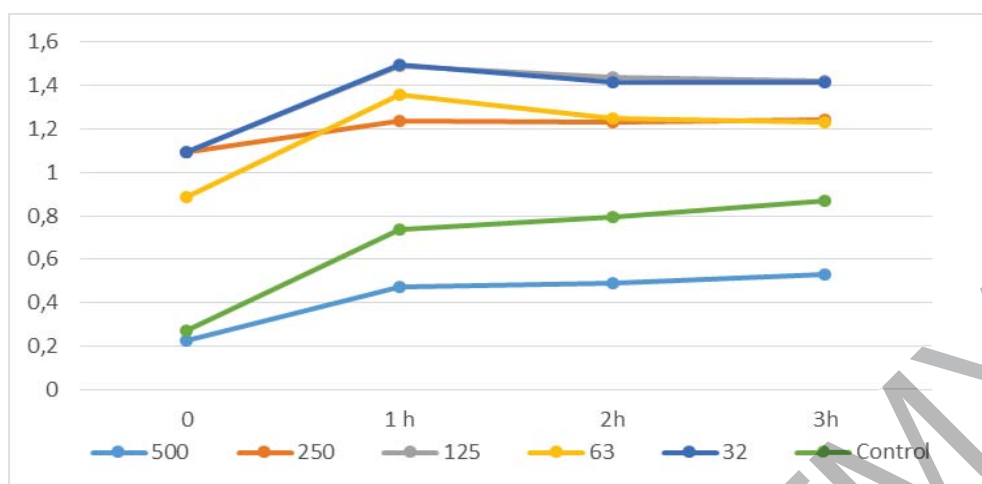


Figure 2. – Bacteriostatic activity of Azikar against *S. aureus*204 biofilm growth at various concentrations

Conclusions. As the results of the study showed that Azikar has a bacteriostatic effect on all studied microorganisms in the composition of biofilms. At a concentration of 500 µg / ml, Azikar inhibits the growth of *S. saprophyticus* biofilm for 1 hour. At lower concentrations, its activity was negligible. The low bacteriostatic activity of Azikar was on *S. aureus*204 biofilm.

Literature

1. Murray, C. J. L. Measuring the global burden of disease. / C. J. L. Murray, A. D. Lopez // The New England Journal of Medicine. – 2013. - vol. 369, No. 5, P. 448–457.
2. Sokolova, TN, Comparative analysis of the microbial profile and antibiotic sensitivity of microorganisms isolated from pulmonary patients in a hospital in Grodno / T.N. Sokolova, K.N. Sokolov, V.N. Noon // 90 years at the forefront of the microbiological science of Belarus: Sat. tr Rep. scientific-practical conf. from the international participation dedicated. 125th anniversary of the birth of B.Ya. Elberta.- Minsk, 2015.- P.135-138.
3. Sokolova, T.N. Microbial biofilms and methods for their detection / T.N. Sokolova // Journal of the Grodno State Medical University.- 2014.- № 4.- P.12-15.

THE EFFECT OF VANCOMYCIN ON MICROORGANISMS IN BIOFILMS

Murtadha S. D., Sokolova T. N.

*Yanka Kupala State University of Grodno, Grodno
murtadhshaker99zz@gmail.com*

Introduction. Lower respiratory tract infections (LRTIs) are major cause of morbidity and mortality globally [1, 2]. The mainstay of treatment for the most important bacterial lower respiratory tract infections, namely acute exacerbations of chronic obstructive pulmonary disease and community-acquired pneumonia, is the use of antibiotics. Strains with resistance to them have been increasingly find. In addition, difficulties in the treatment of these infections are associated with the ability of microorganisms to form microbial biofilms in the patient's body, in which they acquire increased resistance to the antibacterial drugs used. It was find that microorganisms in biofilms are able to survive when exposed to antibiotics in such high concentrations that cannot be achieve in the human body at standard therapeutic dosages, which often leads to ineffective treatment and the transition of the disease into a chronic form [3]. Unfortunately, to date, in real clinical conditions, the determination of the sensitivity/resistance of microorganisms to antibiotics and other chemotherapeutic drugs do not consider this fact. Vancomycin is often use to treat such diseases. It is a pharmaceutical drug, which is tried after all other drug options have failed to produce an adequate response in the patient

Purpose of the study. Determination of the sensitivity of microorganisms isolated in patients with lower respiratory tract diseases to vancomycin

Materials and methods. The object of the study was microorganisms taken from the pathological material of patients with respiratory diseases *K. pneumonia* 3089, *E. faecacls* 3193. Subject of research was features of the study of the sensitivity of microorganisms in biofilms to vancomycin. Vancomycin inhibit the utilization of the bactoprenol lipid intermediates for the synthesis of bacterial cell wall. For the growth of biofilms, sterile 96-well polystyrene U-shaped plates with a volume of 323 μ l were use. The sensitivity of microorganisms in biofilms was studied using vancomycin in various concentrations: 500 μ g/ml, 250 μ g/ml, 125 μ g/ml, 63 μ g/ml, 32 μ g/ml. The control was a

well with a biofilm of microorganisms in a nutrient medium without antibiotic. Changes in the wells were record every hour using a spectrophotometer

Research results. The results of a study of the antimicrobial effect on biofilms with *K. pneumonia 3089* showed that vancomycin at these concentrations has a bacteriostatic effect. The growth of bacteria with a concentration of 500 antibiotics is very low because of activity of Vancomycin against *K. pneumoniae* biofilm. When the concentration of vancomycin is less than 500, it is less effective on the *K. pneumoniae 3089* biofilm. The results are present in table 1.

Table 1. – Change in optical density of *K. pneumoniae 3089* biofilm in a medium with different concentrations of vancomycin

Time	Vancomycin concentration µg/ml					
	500	250	125	63	32	control
0	0,734	1,01	1,069	1,04	0,984	1,081
1 h	0,827	1,129	1,11	1,137	1,091	1,313
2h	0,873	1,16	1,127	1,155	1,14	1,36

The changes that occur with the biofilm in the presence of an antibiotic in comparison with the control are present in the figure 1.

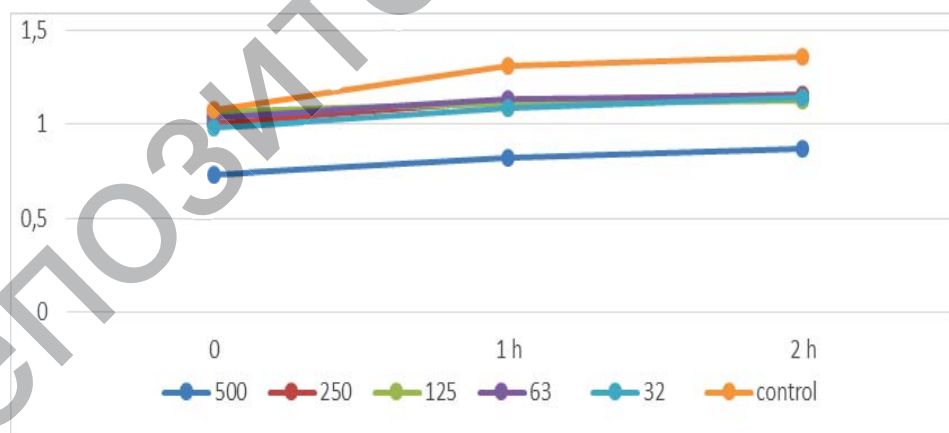


Figure 1. – Bacteriostatic activity of Vancomycin against *K. pneumoniae 3089* biofilm growth at various concentrations

Vancomycin in the studied concentrations had a weak bacteriostatic effect on the biofilms of *E. faecalis 3193*. The results are present in table 2.

Table 2. – Change in optical density of *E. faecalis* 3193 biofilm in a medium with different concentrations of vancomycin

Time	Vancomycin concentration $\mu\text{g/ml}$					
	500	250	125	63	32	control
0	0.834	1.084	1.153	1.583	1.42	1.175
1 h	0.956	1.2	1.192	1.465	1.267	1.179
2h	0.9	1.122	1.135	1.499	1.339	1.142

The changes that occur with the biofilm of *E. faecalis* 3193 in the presence of an antibiotic in comparison with the control are present in the figure 2.

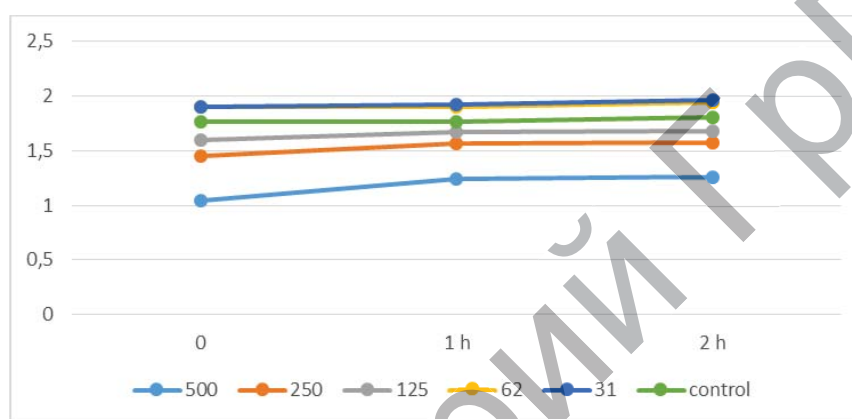


Figure 2.– Bacteriostatic activity of Vancomycin against *E. faecalis* 3193 biofilm growth at various concentrations

Conclusions. As the results of the study showed that Vancomycin has a bacteriostatic effect on all studied microorganisms in the composition of biofilms. At a concentration of 500 $\mu\text{g/ml}$, Vancomycin inhibits the growth of *K. pneumoniae* 3089 biofilm for 1 hour. At lower concentrations, its activity was negligible. The low bacteriostatic activity of vancomycin was on *E. faecalis* 3193 biofilm.

Literature

1. Murray, C. J. L. Measuring the global burden of disease. / C. J. L. Murray, A. D. Lopez // New England Journal of Medicine. – 2013. - vol. 369, No. 5, P. 448–457
2. Sokolova, TN, Comparative analysis of the microbial profile and antibiotic sensitivity of microorganisms isolated from pulmonary patients in a hospital in Grodno / T.N. Sokolova, K.N. Sokolov, V.N. Noon // 90 years at the forefront of the microbiological science of Belarus: Sat. tr Rep. scientific-practical conf. from the international participation dedicated. 125th anniversary of the birth of B. Ya. Elberta.- Minsk, 2015.- P.135-138

3. Sokolova, T.N. Microbial biofilms and methods for their detection / T.N. Sokolova // Journal of the Grodno State Medical University.- 2014.- . №4.- P.12-15.

ВАЛЬГУСНАЯ ДЕФОРМАЦИЯ ПЕРВОГО ПАЛЬЦА СТОПЫ У ДЕТЕЙ

Авкопашвили М. Д., Хотим О. А.

*Гродненский государственный медицинский университет, г. Гродно,
Беларусь*

Введение. Вальгусная деформация большого пальца стопы представлена следующими компонентами: внутреннее отклонение первой плюсневой кости с расширением переднего отдела стопы, наружное отклонение первого пальца стопы, наличие экзостоза в области головки первой плюсневой кости, гипертрофия суставной сумки плюснефалангового сустава [3].

Данная патология полиэтиологична и включает биомеханические, метаболические и травматические факторы.

Goold и соавт. указывают на наличие прямой пропорциональной зависимости роста вальгусной деформации первого пальца стопы с возрастом; так, данная патология встречается у 3% лиц в возрасте 15-30 лет, до 9% – у лиц в возрасте 31-60 лет и до 16% у лиц старше 60 лет. Заболеваемость среди женского населения в 4 раза выше, чем среди мужского. Отмечена также роль генетической предрасположенности развития деформации, о чем свидетельствует семейная тенденция заболевания [1, 2].

Рентгенография – «золотой стандарт» для выявления, оценки патологии и измерения угловой деформации вальгусного отклонения первого пальца стопы. Рентгенография с нагрузкой стопы является более наглядной и демонстрирует истинное структурное взаимоотношение костных структур. На рентгенограммах определяют угловые взаимоотношения, конгруэнтность суставных поверхностей в области первого плюснефалангового сустава, положение сесамовидных костей. Полученные данные указывают на степень деформации и являются одним из основополагающих факторов в выборе вида оперативной техники [3].

Существует ряд оперативных вмешательств – от минимально инвазивных до массивных с костной пластикой. Выбор техники зависит от степени и вида деформации, возраста пациента, предпочтений хирурга и оснащённости операционной.

Цель исследования. Изучить данные историй болезни пациентов с вальгусным отклонением первого пальца стопы с акцентом на вид оперативного вмешательства при данной патологии у лиц детского возраста.

Материалы и методы. Проанализированы истории болезни 30 пациентов с диагнозом «вальгусное отклонение первого пальца стопы», находившихся на стационарном лечении в УЗ «Гродненская областная детская клиническая больница» в период с февраля 2015 по ноябрь 2019 г. Метод: статистическая обработка полученных результатов.

Результаты исследований. Проанализированы истории болезни 30 пациентов с диагнозом «вальгусное отклонение первого пальца стопы» в возрасте от 9 до 17 лет (средний возраст составил 13 лет и 5 месяцев).

Данная патология преимущественно встречалась у лиц женского пола – 93,3% (28 пациентов), и только 2 пациента (6,7%) были мужского пола. Вальгусное отклонение большого пальца чаще локализовалось на левой стопе – 63,3% случаев (19 пациентов) и в 36,3% – справа.

Все пациенты при поступлении предъявляли жалобы на деформацию первого пальца и соответствующего плюснефалангового сустава, боль в области данного сустава, метатарзалгию. Со слов, вальгусное отклонение первого пальца стопы беспокоило пациентов в среднем в течение года, травму и другую сопутствующую патологию пациенты отрицали.

Детям были проведены следующие виды оперативного лечения: перкутанная подголовчатая остеотомия первой плюсневой кости в 80% случаев (24 пациента), Chevron-osteotomy первой плюсневой кости в 20% (6 пациентов), которая у 2 человек комбинировалась с аддуктотомией.

Всем пациентам в раннем послеоперационном периоде рекомендована иммобилизация гипсовой повязкой от верхней трети голени до кончиков пальцев в течение 4 недель. Пациентам, которым выполнялась перкутанная подголовчатая остеотомия

первой плюсневой кости, по истечению срока иммобилизации проводилось удаление металлоконструкции (спицы) в условиях перевязочного кабинета. Пациенты после шевронной остеотомии наблюдались более длительный период времени с целью решения вопроса об удалении металлоконструкции (винт).

Выводы:

1. На основании проведенного исследования правомерно заключение о том, что у девочек вальгусное отклонение первого пальца стопы встречается в среднем в 14 раз чаще, чем у мальчиков.

2. Средний возраст клинических проявлений данной патологии у лиц детского возраста – 13 лет и 5 месяцев, что характерно как для девочек, так и для мальчиков.

3. Несмотря на то, что вальгусная деформация первого пальца является комплексной, при данной патологии невозможно найти два одинаковых случая. Однако метод выбора оперативного лечения у детей – перкутанная подголовчатая остеотомия первой плюсневой кости.

4. Рекомендации в первые 4 недели послеоперационного периода – общие для всех пациентов: иммобилизация гипсовой повязкой. В дальнейшем рекомендации различаются и зависят от примененного вида оперативного вмешательства.

Литература

1. Correction of hallux valgus with positionally increased intermetatarsal angle / M.M. Pressman [et al.] // Journal of the American Podiatric Medical Association. – 1986. - № 76 (11). – P. 611 – 6.

2. Mann R.A. Repair of hallux valgus with a distal soft-tissue procedure and proximal metatarsal osteotomy. A long-term follow-up / R.A. Mann, S. Rudicel, S.C. Graves // Journal of Bone Joint Surgery America. – 1992. - № 74 (1). – P. 124 – 9.

3. Pediatric Orthopedics in Practice / F. Hefti [et al.]. – Berlin: Springer, 2007. – 781 p.

Summary

VALGUS DEFORMATION OF BIG TOE IN CHILDREN

Avkopashvili A. D., Hotim O. A.

*Grodno State Medical University, Grodno,
olgasergey89@gmail.com*

There are a lot of types of surgical treatment valgus deformation of big toe, minimally invasive and massive with bone grafting. Selection method for surgical treatment valgus deformation of big toe in children is percutaneous sub-head osteotomy of first metatarsal bone.

**КОРРЕЛЯЦИОННЫЕ ВЗАИМОСВЯЗИ ПРИ
СУЛЕМОВОЙ НЕФРОПАТИИ У КРЫС, ПОЛУЧАВШИХ
ТАУЦИН**

Басалай О. Н., Борисенок О. А., Бушма М. И.

*Гродненский государственный медицинский университет,
г. Гродно, Беларусь
Basalai2012@mail.ru*

Введение. Установлено, что тауцин (комбинация таурина с цинка диаспартатом) в г/молярном соотношении 20:1 (соответственно, 2,5:0,35 г) в суммарной дозе компонентов 500 мг/кг обладает нефрозащитным действием у крыс с сулемовой нефропатией. Об этом свидетельствуют результаты морфологических, гистохимических и биохимических исследований [1, 2].

Цель исследования. Провести корреляционный анализ взаимосвязей между указанными выше показателями.

Материалы и методы. Опыты проведены на 32 беспородных крысах-самцах массой 200-250 г в соответствии с Хельсинкской декларацией о гуманном обращении с животными. Сулему вводили внутрибрюшинно в дозе 0,1 мг/кг/день в течение 14 дней. Тауцин – в желудок в виде взвеси в слизи крахмала в суммарной дозе компонентов 500 мг/кг, 1 раз в день параллельно с сулемой. Через 24 ч крыс декапитировали, собирали кровь и получали плазму, извлекали левую почку.

О характере и степени выраженности сулемовой нефропатии судили по данным морфологических и морфометрических исследований гистологических препаратов почек (световая и электронная микроскопия). В срезах регистрировали активность щелочной фосфатазы (ЩФ), кислой фосфатазы (КФ) и сукцинатдегидрогеназы (СДГ) [3]. О функциональном состоянии почек судили по содержанию мочевины, мочевой кислоты и креатинина в плазме, в моче – мочевины, мочевой кислоты, креатинина, белка. Рассчитывали клиренс креатинина. Количественную оценку полученных результатов проводили с использованием методов математического моделирования: непараметрическая статистика Манна-Уитни; корреляционный анализ по Спирмену.

Результаты исследований. У крыс с сулемовой нефропатией синхронно со снижением количества митохондрий в эпителиоцитах ПИК КН снижается клиренс креатинина, его содержание, а также мочевины и мочевой кислоты в моче. Об этом свидетельствуют положительные коэффициенты корреляции. Противоположные взаимосвязи регистрируются с содержанием мочевины и креатинина в плазме, выраженностью протеинурии и возрастанием суточного диуреза. Следствием резко возросшего процента деструктивных и погибших митохондрий, а также компенсаторной активации их деления стало снижение в органеллах активности СДГ и содержания креатинина в моче. Это подтверждается отрицательной взаимосвязью между показателями. Снижение объема полости капсулы почечного тельца положительно коррелирует со снижением активности КФ в эпителиоцитах ПИК КН, клиренсом креатинина, его содержанием, а также мочевины и мочевой кислоты в моче. Обратные взаимосвязи регистрируются с содержанием мочевины и креатинина в плазме, выраженностью протеинурии.

Резко увеличенный внутренний диаметр ПИК КН положительно коррелирует с увеличением содержания мочевины, креатинина в плазме, протеинурией и отрицательно – с активностью КФ в эпителиоцитах ПИК КН, клиренсом креатинина, содержанием его и мочевины в моче.

Под влиянием тауцина исчезают 54% корреляционных взаимосвязей и появляется 21 новая. Исчезают корреляции между количеством митохондрий и содержанием мочевины и креатинина

в плазме, суточным диурезом. Наиболее выраженные различия проявляются между сниженным процентом деструктивных и делящихся митохондрий с другими показателями нефротоксичности. Для первых не выявляются взаимосвязи с активностью СДГ и появляется положительная (с содержанием мочевины, креатина в плазме и белка в моче) и отрицательная (с содержанием креатинина и мочевины в моче). Для процента делящихся митохондрий взаимосвязей выявлено меньше. Они исчезают (с активностью СДГ, содержанием креатинина в моче) и появляются (с активностью ЩФ – отрицательная, и интенсивностью суточного диуреза – положительная). Нет статистически значимых взаимосвязей между объемом полости капсулы почечного тельца (с содержанием мочевины, креатинина в плазме и моче). Для внутреннего диаметра ПИК КН характер взаимосвязей меняется на противоположный (с активностью КФ и содержанием мочевины в моче) или они исчезают (с содержанием мочевины и креатинина в плазме, креатинина и белка в моче). Регистрируются отсутствующие у нелеченных крыс взаимосвязи между: увеличенной высотой эпителиоцитов (с содержанием мочевины в плазме – отрицательная, а также креатинина и мочевины в моче – положительная); увеличенной длиной ворсинок щеточной каемки (с содержанием креатинина и белка в моче). Положительные взаимосвязи появляются между снижением: деструкции апикальных отделов эпителия (с содержанием мочевины в плазме), толщины базальной мембраны (с выраженностью полиурии), толщины ворсинок щеточной каемки (с содержанием креатинина в моче).

Под влиянием тауцина появляются отсутствующие у нелеченных крыс взаимосвязи между показателями нефротоксичности в плазме и моче. Так, регистрируется отрицательная взаимосвязь между содержанием мочевины в плазме (с одной стороны) и содержанием мочевины и креатинина в моче (с другой), а также содержанием креатинина в плазме и мочевины в моче. Прямая взаимосвязь характерна между клиренсом креатинина и содержанием мочевины в моче.

Выводы. У крыс с сулемовой нефропатией регистрируются корреляционные взаимосвязи между показателями нефротоксичности, особенно выраженные между

морфологическими ее проявлениями (патология ПИК КН, особенно на уровне митохондрий, – с одной стороны) и маркерными показателями поражения почек в плазме и моче.

Под влиянием тауцина более половины корреляционных взаимосвязей между показателями нефротоксичности сулемы исчезают и появляются отсутствующие, что в совокупности свидетельствует о его нефрозащитном действии. В большей степени ослабляются проявления нефропатии по отношению к митохондриям, диаметру ПИК КН, почечному тельцу.

Литература

1. Коррекция комбинацией таурина с цинка диаспаратом нарушений структуры почек у крыс с сулемовой нефропатией / О. Н. Басалай, Е. Ч. Михальчук, М. И. Бушма, С. М. Зиматкин // Токсикол. вестн. – 2015. – Т. 131, № 2. – С. 31–35.
2. Цитопротекторное действие комбинации таурина с цинка диаспаратом у крыс с поражением канальцев нефронов сулемой / О. Н. Басалай, В. В. Сенчук, Р. И. Кравчук, М. И. Бушма, Е. Ч. Михальчук, С. М. Зиматкин, К. М. Бушма, В. М. Шейбак // Мед. новости. – 2015. – Т. 249, № 6. – С. 76–78.
3. Можейко, Л.А. Классические методы окраски в гистологии / Л.А. Можейко // Методы исследования в гистологии / Под. Ред. С.М. Зиматкина. – Гродно: ГрГМУ, 2010. – С. 23–34.

Summary

CORRELATION INTERRELATIONS IN TAUCINE-TREATED RATS WITH SUBLIMATE NEPHROPATHY

Basalai O.N., Borisenok O.A., Bushma M.I.

Grodno State Medical University, Grodno

Basalai2012@mail.ru

Abstract. The analysis of correlation interrelations at rats with a sublimate nephropathy demonstrates that sharp increase in plasma and synchronous decrease in urine of marker indicators of a nephropathy (content of urea and creatinine, clearance of the last) substantially are associated with defeat of mitochondrions of epithelial cells of proximal wavy tubules of cortical nephrons (PWT KN), extent of "wrinkling" of a kidney little body and expressiveness of a intratubular hydronephrosis. Under the influence of a tautcin the nature of interrelations changes not unambiguously.

СУБЪЕКТИВНЫЙ ТИННИТУС – МУЛЬТИДИСЦИПЛИНАРНАЯ ПРОБЛЕМА В СОВРЕМЕННОЙ ПРАКТИЧЕСКОЙ МЕДИЦИНЕ

Бондарчук Ю. М.

*Гродненский государственный медицинский университет, Гродно
ybondarchuk2019@mail.ru*

Введение. Тиннитус часто описывается как «шум в голове» или «звон в ушах». Он представляет собой фантомное звуковое восприятие при отсутствии поступающего извне звукового стимула [1].

Шум в ушах разделяют на две категории: субъективный и объективно выслушиваемый. Большинство пациентов страдают от субъективного ушного шума, по статистике он сопутствует 5-15% населения [2], в то время как объективный ушной шум встречается гораздо реже. Распространенность тиннитуса повышается с возрастом – каждый пятый человек в возрасте 55-65 лет имеет симптомы тиннитуса.

Субъективный тиннитус – одна из актуальных, мультидисциплинарных проблем современной практической медицины, привлекающая внимание как оториноларингологов, так и врачей других специальностей: неврологов, психиатров, терапевтов, кардиологов и т. д.

В настоящее время специфического лечения тиннитуса не разработано, но предлагается ряд подходов, которые могут уменьшить влияние тиннитуса на качество жизни. Наиболее распространенные методики лечения тиннитуса – «маскировка тиннитуса», «отучение от тиннитуса» и «прогрессивная терапия тиннитуса» [3, 4].

Цель исследования. Установить особенности ушного шума среди пациентов в возрастной категории (от 20 до 69 лет), а также изучить эпидемиологию тиннитуса у данной группы пациентов.

Материал и методы. При проведении профосмотров в медицинских учреждениях г. Гродно были обследованы 448 пациентов на предмет возможного выявления ощущений субъективного шума в ушах, его периодичности, степени выраженности и частоту, его вероятной взаимосвязи с условиями жизнедеятельности, обращения за медицинской помощью и

эффективности проводимого лечения. Пациентам проводили обследование по общепринятой методике (анализ жалоб и анамнестических данных), осмотр ЛОР-органов, тональную пороговую аудиометрию в расширенном диапазоне частот (с оценкой порогов восприятия звука в частотном диапазоне 250-8000 Гц при воздушной проводимости и 250-4000 Гц при костной проводимости, а также с тестами распознавания речи и воспроизведения слов (стандарт ANSI в США)). Определение уровня дискомфорта. При речевой аудиометрии оценивалась разборчивость односложных слов при комфортном уровне громкости. Для субъективной оценки степени тиннитуса использовали анкету THI (Tinnitus Handicap Inventory). Каждый испытуемый заполнял анкету THI из 25 вопросов. Опросник был переведен на русский язык и адаптирован к белорусским реалиям. Максимально возможный показатель в анкете THI составляет 100 баллов. К исследованию допускались лица с результатом от 20 до 80 баллов в анкете THI.

Статистическая обработка результатов выполнена с использованием программного обеспечения STATISTICA for Windows, версия 10,0 (StatSoft, Inc.), достоверность показателей и различий рассматриваемых выборок производилась при уровне значимости $p < 0,05$.

Результаты исследований. Среди всех обследованных для исследования были отобраны 42 ($9,4 \pm 1,4\%$) чел., женщин – 33 ($78,6 \pm 6,3\%$), мужчин – 9 ($21,4 \pm 6,3\%$), страдающих тиннитусом, в возрасте от 20 до 69 лет. Средний возраст $55 \pm 1,8$ года. Тиннитус констатировался в возрастной группе от 20 до 29 лет – в 3 ($7,1 \pm 4,0\%$) случаях, от 30 до 39 лет – в 2 ($4,8 \pm 3,3\%$), от 40 до 49 лет – в 4 ($9,5 \pm 4,5\%$), от 50 до 59 лет – в 14 ($33,4 \pm 7,3\%$) и от 60 до 69 лет – в 19 ($45,2 \pm 7,7\%$). Периодический шум отмечают в 4 ($9,5 \pm 4,5\%$) случаях, постоянный – в 38 ($90,5 \pm 4,5\%$) случаях. Наиболее частая локализация шума была отмечена в обоих ушах в 35 ($83,3 \pm 5,8\%$) случаях. Характер шума описывали следующим образом: звон – 8 ($19,0 \pm 6,0\%$), писк – 9 ($21,4 \pm 6,3\%$), шипение – 11 ($26,2 \pm 6,8\%$), свист – 6 ($14,3 \pm 5,4\%$), стук – 3 ($7,1 \pm 4,0\%$), другие виды (шум моря, шум ветра, звон колокола и т. д.) – 5 ($12,0 \pm 5,0\%$). В связи с шумом в ушах обращались за медицинской помощью только 16 ($38,1 \pm 7,5\%$) чел., все получали соответствующее лечение. Для лечения ушного шума было

опробовано большое количество видов и способов лечения. Медикаментозные препараты, направленные на борьбу с шумом, составляли список лекарственных средств разных групп, разного механизма действия и включали витамины, транквилизаторы, антидепрессанты, бетагистины, гомеопатические средства и др. Кроме того, использовали различные физиотерапевтические методы (акупунктура, лазертерапия, магнитотерапия и т. д.). При этом эффективность лечения следующая: шум прошел полностью у 4 ($25,0 \pm 10,8\%$) чел., уменьшился у 7 ($43,8 \pm 12,4\%$), без изменений – в 5 ($31,2 \pm 11,6\%$) случаях. Самолечением занимались (к врачу не обращались, но лечились народными средствами) 26 ($61,9 \pm 7,5\%$) чел., у 23 ($88,5 \pm 6,2\%$) из них – без эффекта, у 3 ($11,5 \pm 6,3\%$) шум уменьшился.

С целью маскировки 28 ($66,7 \pm 7,3\%$) чел. использовали бесплатные или достаточно недорогие приложения для iPhone. Со слов обследованных минусами данных приложений является то, что многие приложения на английском языке; многие из них платные; невозможно подобрать индивидуальный для себя маскер; все приложения содержат одинаковые (розовые, коричневые, синие, фиолетовые, серые, белые шумы, звуки животных, звуки окружающей среды), разные обои для каждого цветового шума. Плюсы данных приложений: удобство в использовании, визуально не определить, что пациент страдает ушным шумом.

Основные критерии влияния ушного шума на жизнь: нарушение отдыха, сна, снижение концентрации внимания, нарушение качества работы, общения с окружающими и т. д. Влияние шума на качество жизни, оцениваемой по десятибалльной системе, оценили в среднем в $5,6 \pm 0,4$ балла. Данный показатель указывает на значительное влияние на повседневную жизнь пациентов субъективного ушного шума.

Выводы. Среди всех обследованных пациентов ушной шум отмечали 42 ($9,4 \pm 1,4\%$) человека. Степень влияния ушного шума значительно ($5,6 \pm 0,4$ балла) влияет на уровень жизни.

Таким образом, проблема диагностики и лечения тиннитуса остается актуальной в современной клинической практике. Существует проблема низкой обращаемости за медицинской помощью, что ставит определенные трудности в ранней диагностике и поиске возможных методов лечения данной патологии.

В наше время проблема ушного шума – не только общемедицинская, но и социальная проблема государства Республики Беларусь, так как впоследствии может приводить к стойкой утрате трудоспособности.

Литература

1. Jastreboff P.J. Phantom auditor perception (tinnitus), mechanisms of generation and perception. P.J. Jastreboff. Neurosci. Res. 1990. Vol. 8, P. 221-254.
2. Espinosa-Sánchez JM, Heitzmann-Hernández T, López-Escámez JA. Pharmacotherapy for tinnitus: much ado about nothing. Article in Spanish. Rev Neurol. 2014; 59(4):164-174.
3. Demeester K., van Wieringen A., Henrick J., Topsakal V., Fransen E., Van Laer L., De Ridder D. (2007). «Prevalence of tinnitus and audiometric shape» B-Ent 3 Suppl 7:37-49.
4. Heller A.J. Classification and epidemiology of tinnitus. Otolaryngol Clin North Am 2003; 36:239-248.

Summary

SUBJECTIVE TINNITUS - MULTIDISCIPLINARY PROBLEM IN PRACTICAL MEDICINE

Bondarchuk U. M.

*Grodno State Medical University, Grodno
ybondrchuk2019@mail.ru*

Subjective noise can be regarded as a phantomauditory perception. This article contains current aspects of the tympanophonia epidemiology, diagnostics and treatment.

ДИНАМИКА ГИСТОЛОГИЧЕСКИХ НАРУШЕНИЙ В КОРЕ ГОЛОВНОГО МОЗГА КРЫС ПРИ СУБТОТАЛЬНОЙ ЦЕРЕБРАЛЬНОЙ ИШЕМИИ

Бонь Е. И, Валько Н. А, Ком В. Н.

*Гродненский государственный медицинский университет, Гродно
asphodela@list.ru*

Введение. Ишемические повреждения головного мозга – по-прежнему одна из лидирующих причин заболеваемости, инвалидности и смертности, что предполагает необходимость проведения дальнейших исследований в данном направлении. Ключевые звенья патогенеза церебральной ишемии – остро

возникающий недостаток поступления кислорода в мозг, угнетение в мозге аэробного и активация анаэробного пути утилизации глюкозы, снижение энергообразования, нарушение транспорта различных ионов, изменение кислотно-основного состояния [2, 3].

Цель исследования. Анализ изменений морфологических характеристик нейронов филогенетически разных отделов коры головного мозга (теменной коры и гиппокампа) крыс в разные периоды при субтотальной экспериментальной церебральной ишемии.

Материал и методы. Эксперименты выполнены на 42 самцах беспородных белых крыс с начальной массой 240 ± 20 г с соблюдением требований Директивы Европейского Парламента и Совета № 2010/63/EU от 22.09.2010 о защите животных, используемых для научных целей. Субтотальную ишемию головного мозга (СИГМ) моделировали путем перевязки обеих общих сонных артерий в условиях внутривенного тиопенталового наркоза (40-50 мг/кг). Забор материала осуществлялся через 1, 2, 3, 6 и 24 часа после операции. После декапитации быстро извлекали головной мозг, кусочки переднего отдела коры больших полушарий фиксировали в жидкости Карнуа. Серийные парафиновые срезы окрашивали 0,1% толуидиновым синим по методу Ниссля и на выявление рибонуклеопротеинов по Эйнарсону. Изучение гистологических препаратов, их микрофотографирование, морфометрию и денситометрию осадка хромогена в гистологических препаратах проводили с помощью микроскопа Axioscop 2 plus (Zeiss, Германия), цифровой видеокамеры (LeicaDFC 320, Германия) и программы анализа изображения ImageWarp (Bitflow, США). Локализацию теменной коры и гиппокампа коры в гистологических препаратах мозга крыс определяли с помощью стереотаксического атласа [4]. У каждого животного оценивали не менее 30 нейронов пятого слоя париетальной коры и пирамидного слоя поля CA1 гиппокампа, что обеспечивало достаточный объем выборки для последующего анализа. На парафиновых срезах определяли число больших пирамидных нейронов на единицу площади срезов коры головного мозга. Среди общего количества выделяли клетки по интенсивности окраски цитоплазмы (хроматофилии).

После предварительной проверки на нормальность распределения показателей полученные данные анализировали методами непараметрической статистики с помощью программы Statistica 10.0 для Windows (StatSoft, Inc., США). Результаты представлены в виде Me (LQ; UQ), где Me – медиана, LQ – значение нижнего квартиля; UQ – значение верхнего квартиля. Различия между показателями контрольной и опытной групп считали достоверными при $p < 0,05$ (Mann-Whitney U-test) [1].

Результаты исследований. Размеры перикарионов нейронов теменной коры существенно уменьшились на втором часу по сравнению с одночасовой СИГМ (на 11% ($p < 0,05$)), в то время как в гиппокампе значительное снижение площади наблюдалось только к 24 часам СИГМ (на 37,5% ($p < 0,05$)). Фактор элонгации возрастал к 1 суткам СИГМ в обоих изучаемых отделах (на 17% ($p < 0,05$) и 12% ($p < 0,05$), соответственно), в то время как форм-фактор претерпевал значительные изменения только в теменной коре уже спустя 2 часа после операции. Количество нормохромных нейронов как в теменной коре, так и в гиппокампе существенно снижалось к 6 часам СИГМ (на 38%, $p < 0,05$) по сравнению с изменениями через 1 час). Происходило постепенное уменьшение доли гиперхромных нейронов, в то время как количество гиперхромных сморщенных возрастало, достигая максимума к 2-3-м часам СИГМ в обоих исследуемых отделах. К 6-ти часам СИГМ появляются нейроны с перицеллюлярным отеком. В теменной коре их содержание на 25% ($p < 0,05$) было большим, чем в гиппокампе. Содержание рибонуклеопротеинов в цитоплазме пирамидных нейронов теменной коры и гиппокампа значительно возрастало к трем часам СИГМ.

Выводы. Таким образом, в динамике субтотальной церебральной ишемии наблюдалось снижение размеров перикарионов нейронов, они становились более вытянутыми и менее округлыми. Снижалось количество нормохромных и гиперхромных нейронов, к 2-3-му часу возрастала доля сморщенных нейронов, часть из которых к 6-му часу переходила в клетки с перицеллюлярным отеком. Выявленные нарушения сходным образом проявлялись в филогенетически разных отделах коры головного мозга, однако развивались раньше и были более выражены в теменной коре, как более чувствительной к недостатку кислорода области головного мозга.

Литература

1. Батин, Н.В. Компьютерный статистический анализ данных: учеб.-метод. Пособие / Н.В. Батин // Минск.: Институт подготовки научных кадров Национальной Академии Наук Беларуси – 2008. – 235 с.
2. Бонь, Е.И. Морфофункциональные нарушения в гиппокампе крыс при субтотальной ишемии / Е.И. Бонь, Н.Е. Максимович, С.М. Зиматкин // Вестник Смоленской государственной медицинской академии. – 2018. – N1. – С. 24–29.
3. Bon, L.I. Effects of experimental cerebral ischemia on metabolic characteristics of parietal cortex neurons / L.I. Bon, N.Ye. Maksimovich, S.M. Zimatkin // Bioprocess Engineering. – 2018. – N2(1). – P. 1-5.
4. Paxinos, G. The Rat Brain in stereotaxic coordinates / G. Paxinos, C. Watson // Academic Press, Australia, 1998. – 242 p.

Summary

DYNAMICS OF HISTOLOGICAL ABNORMALITIES IN THE CEREBRAL CORTEX OF RATS WITH SUBTOTAL CEREBRAL ISCHEMIA

Bon L. I., Valko N. A., Kot V. N.

*Grodno State Medical University, Grodno
asphodela@list.ru*

In the dynamics of subtotal cerebral ischemia, a decrease in the size of the perikaryon neurons was observed. They became more elongated and less rounded. The number of normochromic and hyperchromic neurons decreased, by 2-3 h an increase in the proportion of shriveled neurons, some of which by the 6 th hour passed into cells with pericellular edema. The revealed disorders were similarly manifested in phylogenetically different parts of the cerebral cortex, however, they occurred earlier and were more pronounced in the parietal cortex, as they are more sensitive to oxygen deficiency.

ОСОБЕННОСТИ ЭФФЕКТИВНОСТИ ЛЕЧЕНИЯ ПАЦИЕНТОВ С ВПЕРВЫЕ ДИАГНОСТИРОВАННЫМ ТУБЕРКУЛЕЗОМ ЛЕГКИХ И САХАРНЫМ ДИАБЕТОМ 1-ГО ТИПА НА ФОНЕ СТАНДАРТНОЙ ХИМИОТЕРАПИИ

Бутов Д. А., Мороз У. Ю., Синепол А. В.

*Харьковский национальный медицинский университет,
кафедра фтизиатрии и пульмонологии, Харьков, Украина
morozulana519@gmail.com*

Введение. Туберкулез – одна из самой распространенных проблем в мире [1]. Другой проблемой мирового здравоохранения является сахарный диабет (СД) [2]. Пациенты с СД болеют туберкулезом в 4-10 раз чаще, нежели пациенты без диабета. СД вызывает тяжелое клиничко-патогенетическое течение туберкулеза. Кроме того, сам туберкулез может неблагоприятно влиять на течение СД, вызывая тяжелое течение данного заболевания [3].

Таким образом, целью нашего исследования было изучить особенности эффективности лечения пациентов с впервые диагностированным туберкулезом легких и сахарным диабетом 1-го типа на фоне стандартной химиотерапии.

Материал и методы исследования. Нами проведен анализ 95-ти историй болезни пациентов с впервые диагностированным туберкулезом легких (ТБ). Для выполнения цели нашего исследования пациенты были разделены на 2 группы: 1-я группа (основная) – 27 (28,4%) пациентов с ТБ и СД, 2-я группа – 68 (71,6%) пациентов с ТБ. В исследование включались пациенты с ТБ без наличия резистентности микобактерий туберкулеза к противотуберкулезным препаратам на твердых средах в обеих группах.

В исследовании изучались основные критерии оценки эффективности лечения туберкулеза: ликвидация клинической симптоматики, прекращение бактериовыделения и основные рентгенологические показатели (исчезновение очаговых, инфильтративных изменений и закрытие полостей распада в легких).

Диагноз СД был поставлен на основании международных рекомендаций Всемирной организации здравоохранения (ВОЗ) [2].

Диагноз ТБ был также поставлен на основании рекомендаций ВОЗ [4].

Лечение туберкулеза проводилось согласно рекомендациям ВОЗ [5]. Кроме того, проводилась соответственная терапия по поводу СД согласно национальному протоколу лечения.

Результаты исследований. У пациентов 1-й группы закономерно наблюдались: выраженное начало заболевания – у 23 пациентов (85,2%), симптомы интоксикации – у 25 (92,6%), локальные симптомы туберкулеза – у 22 (81,5%), катаральные явления – у 20 (74,1%) и лейкоцитоз со сдвигом лейкоцитарной формулы влево – у 25 пациентов (92,6%). При сравнении пациентов 2-й группы, как правило, было характерно бессимптомное начало – у 48 пациентов (70,6%) ($p < 0,001$), и достоверно меньшая выраженность указанных выше клинических проявлений туберкулеза: интоксикации ($p < 0,001$) и локальных симптомов – у 29 пациентов (42,6%) ($p = 0,0009$), катаральных явлений – у 19 пациентов (27,9%) ($p = 0,0001$), лейкоцитоз со сдвигом лейкоцитарной формулы влево – у 48 пациентов (70,6%) ($p = 0,0241$). Закрытие деструктивных изменений, частичное рассасывание очаговых и инфильтративных изменений в легких к концу стандартного срока интенсивной фазы химиотерапии наблюдалось у 63 (92,6%) пациентов 2-й группы и достоверно реже – лишь у пациентов с ТБ и СД – у 4 (14,8%) в 1-й группе ($p < 0,001$).

Относительно прекращения бактериовыделения, исследованного бактериологическим методом. В конце интенсивной фазы лечения прекращение бактериовыделения наблюдалось ранее в контрольной группе (41 (60,3%)), нежели в основной (9 (33,3%)) ($p = 0,0195$).

Выводы. У пациентов с СД 1-го типа и ТБ наблюдается более выраженное тяжелое клинико-рентгенологическое течение заболевания с низкой эффективностью лечения по сравнению с группой ТБ и без СД.

Литература

1. World Health Organization. Global Tuberculosis Report 2017, WHO Report 2017. - Geneva: World Health Organization. - 2018. – 249 p.
2. World Health Organization. Classification of diabetes mellitus. - Geneva: World Health Organization. - 2019. – 38p.

3. Viney K, Mills T, Harley D. Tuberculosis and diabetes mellitus: a dose-response relationship between the odds of tuberculosis and HbA1c. *Int J Tuberc Lung Dis.* – 2019. – Vol. 1, №23(10). – P. 1055-1059.

4. World Health Organization. Definitions and reporting framework for tuberculosis-2013 revision. - Geneva: World Health Organization. - 2014. – 63 p.

5. World Health Organization. Treatment of tuberculosis Guidelines for national programmes, fourth edition . - Geneva: World Health Organization. - 2010. – 147 p.

Summary

TREATMENT FEATURES IN PATIENTS WITH NEWLY DIAGNOSED PULMONARY TUBERCULOSIS AND TYPE 1 DIABETES MELLITUS

Butov D.O., Moroz U.Y., Synepol A.V.

*Kharkiv National Medical University,
Department of Phthiisology and Pulmonology, Kharkiv, Ukraine
morozulana519@gmail.com*

Diabetes mellitus causes a severe clinical and pathogenetic course of tuberculosis. In addition, tuberculosis itself can cause a severe course in diabetes. In patients with type 1 diabetes mellitus and tuberculosis, there is a more pronounced severe clinical and radiological course of the disease with low treatment efficiency compared with the group of tuberculosis and without diabetes.

АНАЛИЗ НАЗНАЧЕНИЙ АНТИБИОТИКОВ ПРИ ИНФЕКЦИЯХ ДЫХАТЕЛЬНЫХ ПУТЕЙ, ПО ДАННЫМ АНКЕТИРОВАНИЯ ПОСЕТИТЕЛЕЙ АПТЕК Г. ГРОДНО

Бутько В. В., Гончарук Я. И.

*Гродненский государственный медицинский университет,
Гродно, Беларусь
valeriya.butko.vb@gmail.com*

Введение. Инфекции дыхательных путей – самые частые заболевания, с которыми встречаются врачи разных специальностей и по поводу которых назначают антибиотики. По данным ВОЗ, инфекции дыхательных путей в мире составляют 40% от общей заболеваемости. В каждой стране показатели разные:

взрослое население – 29,2-43,5%, дети – 65,4-83,8%. Среди причин инфекций дыхательных путей лидируют вирусные инфекции, однако существенное место в структуре инфекций верхних и нижних дыхательных путей занимают бактериальные патогены, такие как пневмококк, гемофильная палочка, стрептококк и другие. Несмотря на доступность международных, национальных рекомендаций и медицинской литературы по антимикробной химиотерапии, процент необоснованного назначения антибиотиков остается высоким, что в свою очередь обуславливает рост резистентности патогенных микроорганизмов. По данным исследований, эти лекарственные средства получают до 75% пациентов с острыми респираторными заболеваниями, хотя их вирусная природа составляет 85-95% [1]. Высокое потребление антибиотиков приводит к росту числа инфекций, вызванных устойчивыми бактериями, сопровождается увеличением смертности, утратой трудоспособности, удлинением стационарного лечения и ростом затрат. Увеличение потребления мощных антибиотиков неизбежно приводит к увеличению числа устойчивых бактерий и формированию резистентности к антибиотикам [2]. Важным критерием для обоснованности назначения антибиотиков являются надежные клинические рекомендации, выработанные на основе доказательной медицины, и современные диагностические тесты, позволяющие своевременно диагностировать и идентифицировать бактериальную инфекцию.

Цель исследования. Проанализировать назначение антибактериальных средств при инфекциях дыхательных путей, по данным анкетирования посетителей аптек г. Гродно; оценить рациональность использования антибиотиков в соответствии с клиническими протоколами диагностики и лечения Министерства здравоохранения Республики Беларусь.

Материал и методы. Данные для исследования получены путем анкетирования посетителей аптек г. Гродно в количестве 312 пациентов, приобретавших антибактериальные средства для лечения инфекций дыхательных путей. Возраст анкетлируемых составил от 18 до 82 лет. Средний возраст – $36 \pm 12,3$ года.

Результаты исследований. Результаты исследования показали, что среди анкетлируемых было 290 чел. (92,95%) с официально установленным диагнозом, относящимся к категории

инфекций дыхательных путей. У остальных анкетированных имелись симптомы, указывающие на возможные инфекции дыхательных путей. Большинство посетителей аптек, обратившихся за антибактериальными препаратами, были с диагнозом ОРВИ (42,76%), также часто встречались диагнозы бронхит (16,55%) и тонзиллит (13,10%). С симптомами инфекций дыхательных путей без официально установленного диагноза среди анкетированных было 22 чел. (7,05%). Опрошенные посетители аптек приобретали разные антибактериальные средства для лечения инфекций дыхательных путей – всего 9 групп (22 международных непатентованных наименования). Частота приобретения антибиотиков разных групп значительно варьирует. Наиболее часто приобретались пенициллины (66,67%), макролиды (16,67%), цефалоспорины (7,69%), фторхинолоны (4,49%). Прочие антибактериальные средства приобретались в единичных случаях, частота их приобретения не превышает 2% для каждой группы. Среди индивидуальных антибиотиков (по международному непатентованному наименованию) для лечения инфекций дыхательных путей основную долю составляют полусинтетические пенициллины – амоксициллин (38,46%) и амоксициллин/клавулановая кислота (12,6%), которые в ряде национальных и международных клинических протоколов являются препаратами выбора при лечении ИДП. На втором месте – макролидные антибиотики – азитромицин (7,05%) и кларитромицин (5,13%), которые, согласно национальным и международным руководствам, обычно являются антибиотиками резерва при ИДП, в особенности при невозможности назначения пенициллинов. Частота покупки других антибактериальных средств не превышает 3,5% для каждого отдельного МНН. Большая часть препаратов (15 международных непатентованных наименований) приобретается в единичных случаях (менее 5 случаев, т. е. менее 2,0%).

Выводы. Среди официально установленных диагнозов инфекций дыхательных путей, при которых назначалась антибиотикотерапия, наиболее часто встречались острые респираторные вирусные инфекции (42,76%), также отмечались диагнозы бронхит (16,55%) и тонзиллит (13,10%). У ряда анкетированных (7,05%) имелись симптомы, указывающие на

возможные инфекции дыхательных путей, без официально установленного диагноза. Наиболее часто назначаемыми антибиотиками при инфекциях дыхательных путей являются амоксициллин (38,46%) и амоксициллин/клавулановая кислота (12,6%), которые в соответствии с клиническими протоколами МЗ РБ являются препаратами выбора при лечении инфекций дыхательных путей. На втором месте – макролидные антибиотики – азитромицин (7,05%) и кларитромицин (5,13%), которые, согласно клиническим протоколам МЗ РБ, обычно являются антибиотиками резерва при инфекциях дыхательных путей, в особенности при невозможности назначения пенициллинов.

Литература

1. Батурин, В. А. Оценка сложившейся практики антибактериальной терапии респираторных инфекций по данным анкетирования врачей и анализа медицинской документации / В. А. Батурин, Ф. Т. Малыхин // Проблемы стандартизации в здравоохранении. – 2012. – С. 42-46.
2. Страчунский, Л. С. Практическое руководство по антиинфекционной химиотерапии / Л. С. Страчунский, Ю. Б. Белоусова, С. Н. Козлова // НИИАХ СГМА, 2007. – 462 с.

Summary

THE ANALYSIS OF ANTIBIOTICS PRESCRIPTIONS IN RESPIRATORY INFECTIONS ACCORDING TO THE QUESTIONNAIRE SURVEY OF PHARMACIES VISITORS IN GRODNO

Butsko V.V., Goncharuk Y.I.

*Grodno State Medical University, Grodno
valeriya.butko.vb@gmail.com*

Respiratory tract infections are the most common diseases encountered by doctors of different specialties and for which antibiotics are prescribed. The work presents the structure of antibiotic administration in respiratory infections, as well as to compare the questionnaire data with clinical protocols diagnostic and treatment.

ЭКСПЕРИМЕНТАЛЬНАЯ МОДЕЛЬ ХОЛОДОВОЙ ТРАВМЫ

Валентюкевич А. Л., Жукович М. С., Меламед В. Д.

*Гродненский государственный медицинский университет, г. Гродно
artem.valentyukevich@mail.ru*

Введение. Лечение холодовой травмы остается актуальной проблемой. Сезонная распространенность, а также отсутствие четкого алгоритма оказания помощи пациентам с отморожениями приводит к неудовлетворительным результатам лечения, что влечет за собой длительную потерю трудоспособности, а порой и пожизненную инвалидность пациентов [1, 2]. В связи с этим возникает необходимость создания достоверной экспериментальной модели отморожений для изыскания более эффективных способов лечения.

Цель исследования. Создание устройства, позволяющего моделировать контактные отморожения в реальных климатических условиях у лабораторных животных.

Материал и методы. В качестве экспериментальных животных в исследовании использовались 30 белых лабораторных крыс линии “Wyster” массой тела 180-200 граммов, возрастом 5-6 месяцев.

Для эксперимента сконструирована криоклиматокамера, которая состоит из корпуса (1) в виде теплоизолированной двухслойной емкости в форме параллелепипеда высотой 100 мм, шириной 200 мм, длиной 300 мм. На корпусе (1) имеется отверстие (2) для проведения наркозной маски и съемное прозрачное окошко (3) размерами 200×170 мм для наблюдения за экспериментальным животным и манипуляций с ним. По центру на верхней стенке корпуса (1) криоклиматокамеры расположен вентилятор (4) (модель SanyoA01-003), постоянно создающий поток воздуха. Внутри корпуса (1) находится цилиндр холодового устройства (6), который может перемещаться в любую часть корпуса (1) в зависимости от задач эксперимента. Холодовое устройство представляет собой закрытый цилиндр диаметром 25 мм, высотой 10 мм, имеющий входную (7) и выходную (8) канюли. Холодовое устройство теплоизолировано по всей поверхности, кроме нижнего основания, которое непосредственно контактирует с кожей

лабораторного животного. В корпусе (1) имеются два боковых отверстия (5) диаметром 7 мм (соответствует диаметру трубки) для проведения входной (9) и выходной (10) поливинилхлоридных трубок. Дистальный конец входной полихлорвиниловой трубки (9) подсоединен к компрессору (11) (модель balmaxif-40), находящемуся в емкости (12) с холодным агентом (40% спиртовой раствор). Дистальный конец выходной трубки (10) впадает в емкость (12) с хладагентом. В емкости (12) для спиртового раствора на верхней стенке имеется отверстие (13) диаметром 5 мм для закачки последнего и для контроля температуры. Холодовое устройство достаточно теплоизолировано войлоком и алюминиевой фольгой, позволяет циркулировать в нем жидкости, охлаждающей непосредственно нетеплоизолированную часть цилиндра, которая соприкасается с кожей крысы (рис. 1, 2).

Наличие компрессора позволяет поддерживать постоянную циркуляцию охлаждающего реагента, что значительно уменьшает его количество в эксперименте. В криоклиматокамере с помощью расположенного на верхней стенке вентилятора создается постоянный поток холодного воздуха, что максимально приближает данную модель к реальным климатическим условиям.

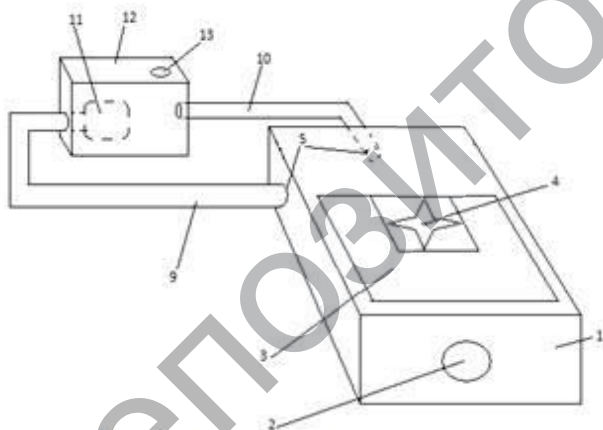


Рис.1 Общий вид криоклиматокамеры

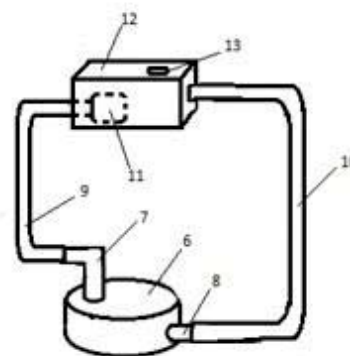


Рис.2 Общий вид холодного устройства

Устройство работает следующим образом. Цилиндр холодного устройства (6) помещают в корпус (1) криоклиматокамеры. Поливинилхлоридные трубки (9) и (10), надетые на входную (7) и выходную (8) канюли, выводят через боковые отверстия (5) корпуса (1) криоклиматокамеры и соединяют их с холодной емкостью (12), при этом дистальный конец входной

трубки (9) подсоединяют к компрессору (11), который поддерживает постоянную циркуляцию холодного раствора в корпусе (1) криоклиматокамеры. Через отверстие (13) в холодную емкость (12) осуществляют закачку предварительно охлажденного раствора, а также контролируют его температуру (при помощи терморпары, соединенной с мультиметром) (рис. 1, 2).

Для моделирования отморожения крысу вводили в эфирный наркоз, используя разработанную схему эфирного наркоза по закрытому контуру. Производили удаление шерсти в межлопаточной области путем выщипывания с последующим выбриванием. Наркотизированную крысу укладывали в корпус (1) криоклиматокамеры. Через отверстие (2), расположенное в передней части корпуса (1) криоклиматокамеры, проводили наркозную маску и одевали на голову крысе для поддержания наркоза в течение эксперимента. Нетеплоизолированной частью цилиндр холодного устройства (6) помещали на межлопаточную область (в зависимости от задач эксперимента возможно нанесение холодной травмы в зоне бедра, хвоста, лапы крысы и т. д.). В емкость (12) через отверстие (13) закачивали хладагент, через него же контролировали температуру. Крысу обкладывали кубиками льда с целью снижения температуры тела подопытного животного и повышения влажности воздуха в криоклиматокамере. Корпус (1) криоклиматокамеры закрывали съемным стеклом (3). Холодный раствор через поливинилхлоридную трубку (9) поступал в цилиндр холодного устройства (6) с поддержанием циркуляции хладагента при помощи компрессора со скоростью 3,3 литра в минуту, что обеспечивало постоянное холодное воздействие на нижнюю часть цилиндра. Вращение вентилятора создавало поток воздуха для образования условий, приближенных к реальным климатическим.

Результаты исследований. Использование криоклиматокамеры позволило смоделировать общее переохлаждение организма экспериментального животного и создать климатические условия, приближенные к реальным. Криоклиматокамера позволяет получать глубокое контактное отморожение при общем переохлаждении и воздействии таких неблагоприятных факторов, как повышенная влажность и ветер.

При моделировании глубокого отморожения после завершения холодного воздействия макроскопически вся

поверхность кожи в зоне воздействия была белого цвета (гистологически: спазм кровеносных сосудов). Через трое суток вся обмороженная поверхность пятнисто-бурая (некроз эпидермиса и подлежащих тканей, очаги разрастания грануляционной ткани), через 5-7 суток вся поверхность раны бурого цвета (гистологически: обширные участки разрастания грануляционной ткани с начальной эпителизацией по периферии), на 11-е сутки сохранялась обширная рана с бурой поверхностью и белым ободком по периферии (гистологически: с краев раны наблюдалось нарастание эпидермиса, в самой ране видны разрастания рыхлой и плотной неоформленной соединительной ткани). После моделирования отморожения крыса с трудом передвигалась, отказывалась от приема пищи и воды.

Выводы. Предлагаемое устройство позволяет моделировать стандартизированные глубокие контактные отморожения в условиях общего переохлаждения организма.

Литература

1. Fabian, C.J. Retrospective cohort study examining treatments and operative interventions for frostbite in a tertiary care hospital / C.J. Fabian // Original Research. – 2017. – Vol. 19. – P. 88–95.
2. Baosheng, X. Progress in diagnosis and treatment of frostbite / X. Baosheng // Trauma and Emergency and Critical Care Medicine. – 2014. – Vol. 2. – P. 65–68.

Summary

EXPERIMENTAL MODEL OF COLD INJURY

Valentyukevich A.L., Zhukovich M.S., Melamed V.D.

Grodno State Medical University, Grodno

artem.valentyukevich@mail.ru

Experimental work is devoted to creating a device that allows to simulate deep contact frostbite depending on the objectives of the experiment. In addition, the device makes it possible to simulate cold injury in conditions of general hypothermia of the body, which brings model closer to real cases.

ПЕРВЫЙ ОПЫТ ПРИМЕНЕНИЯ КОМПЬЮТЕРНОЙ ТОМОГРАФИЧЕСКОЙ КОЛОНОСКОПИИ С 3D-МОДЕЛИРОВАНИЕМ КИШЕЧНИКА У ДЕТЕЙ

Ведник Г. А., Батус В. А.

*Белорусская медицинская академия последипломного образования, г.
Минск, Беларусь
УЗ «Могилевская областная детская больница», Могилев, Беларусь
GriG86@mail.ru*

Введение. Врожденная патология и заболевания толстой кишки часто встречаются в детском возрасте. К примеру, хроническими запорами страдают от 10 до 40% детей и 30-50% трудоспособного населения развитых стран [1,2]. Согласно данным Международного фонда по проблемам функциональных расстройств ЖКТ (International Foundation for Functional Gastrointestinal Disorders – IFFGD), хронические запоры – причина 3-5% визитов к педиатру у детей. Для выявления причин хронического запора и другой патологии кишечника у детей обычно используется ирригоскопия и ирригография. В последние годы появились новые технологии рентгенологического исследования толстой кишки, в том числе компьютерная томографическая колоноскопия (КТК) с 3D-моделированием кишечника.

Цель исследования. Оценить возможности и преимущества КТК с 3D-моделированием для диагностики патологии толстой кишки у детей.

Материалы и методы. Компьютерная томографическая колоноскопия с 3D-моделированием толстой кишки проведена нами у 8 детей в возрасте от 4 до 8 лет с жалобами на длительные хронические запоры. Исследование проводилось на аппарате Toshiba aquilion PRIME. Перед исследованием детям в течение 3-4 дней выполняли очистительные клизмы 3% раствором NaCl. Накануне исследования назначался сироп лактулозы от 50 до 100 мл, в зависимости от возраста ребенка. Непосредственно перед исследованием ребенку ректально вводился воздух в объеме 1000-2000 см³. Производилось КТ сканирование кишечника и оценка полученных результатов.

Результаты исследования. Проведенные исследования показали достаточно хорошую визуализацию толстой кишки (рис. 1, 2).



Рисунок 1. – Пациент Л., 4 года, хронические запоры около двух лет



Рисунок 2.– Пациент М., 5 лет, хронические запоры около трех лет

Как видно на рисунках 1 и 2, КТК с 3D-моделированием кишечника дает более информативное изображение толстой кишки по сравнению со стандартной ирригоскопией. Данная методика позволяет определить зону аганглиоза кишечника, гаустрацию

толстой кишки, патологию просвета кишки (опухоли, полипы), особенности строения и другую патологию кишечника. Преимущества данной методики в том, что исследование записывается на цифровой носитель и позволяет ретроспективно просмотреть его результаты без дополнительного обследования пациента. Следует отметить, что лучевая нагрузка при КТК исследовании составляла около $2,5 \text{ м}^3\text{в}$, тогда как при стандартной ирригографии она может достигать $3,5 \text{ м}^3\text{в}$ и более [3]. Данное исследование не требует использования рентгеноконтрастных веществ.

Выводы:

1. Компьютерная томографическая колоноскопия с 3D-моделированием кишечника – более информативный метод исследования, чем стандартная ирригоскопия.

2. КТК позволяет оценить: наличие и протяженность зоны аганглиоза, анатомическое положение кишечника в брюшной полости, наличие патологии; опухоли, полипы в просвете кишки, гаустрацию кишечника, объем толстой кишки и др.

3. Данный метод не требует использования рентгеноконтрастных веществ.

4. Доза облучения при КТК меньше или соизмерима со стандартной ирригографией и ирригоскопией.

5. КТК дает правильное понятие о строении и патологии толстой кишки у конкретного пациента, что позволяет в случае необходимости заранее планировать ход операции.

Литература

1. Комарова Е. В. Хронический запор у детей: медицинские и социальные аспекты: автореф. дисс. доктора мед. наук. - Москва 2007. - С. 3-4.

2. Tabbers M. M., DiLorenzo C., Berger M. Y. et al. Evaluation and treatment of functional constipation in infants and children: evidence-based recommendations from ESPGHAN and NASPGHAN.// Journal of Pediatric Gastroenterology and Nutrition. -February 2014 - Volume 58 - Issue 2 - p 258–274.

3. Инструкция по применению МЗРБ «Контроль доз облучения пациентов при рентгенодиагностических исследованиях» /Чиж Г. В., Полойко Ю. Ф. // БелМАПО. – 2001. – С. 3.

Summary

**THE FIRST EXPERIENCE OF USING COMPUTED
TOMOGRAPHIC COLONOSCOPY WITH 3D-MODELING
OF THE INTESTINE AT CHILDREN**

Vednik G. A., Batus V. A.

*Mogilev regional children's hospital, Mogilev
GriG86@mail.ru*

To assess the opportunities and benefits of this study for the diagnosis of diseases of the colon at children

**ЭФФЕКТИВНОСТЬ МЕСТНОГО ПРИМЕНЕНИЯ
КОЛЛАГЕНОВОГО БИОМАТЕРИАЛА В ЛЕЧЕНИИ
ХРОНИЧЕСКИХ РАН ПРИ СИНДРОМЕ
ДИАБЕТИЧЕСКОЙ СТОПЫ**

Габитов Р.Б.

*Первый Московский Государственный Медицинский Университет им.
И.М. Сеченова, Москва, Россия
dr.gabitov@mail.ru*

Введение. Увеличение числа больных с хроническими ранами, особенно с осложненным течением сахарного диабета и неудовлетворительной эффективностью проводимой комбинированной терапии у этих пациентов требует более совершенных и эффективных методов лечения этих пациентов. Сахарный диабет (СД) – одна из ведущих медико-социальных проблем современности. По данным ВОЗ в мире насчитывается 387 млн больных диабетом. Гипергликемия и резистентность к инсулину при СД сочетается с изменениями метаболизма липидов и углеводов, что приводит к поражению сосудов, микро- и макрососудистым осложнениям, в том числе развитию синдрома диабетической стопы (СДС). Ежегодно СДС развивается у 2–10% больных диабетом [1, 2]. Выделяют медицинские изделия на основе коллагена для местного лечения ран, в которых коллаген представлен в нативном (структура сохранена) и разрушенном виде (фракционированный коллаген). В научных работах показано, что нативный коллаген обладает существенными преимуществами [3].

Цель исследования – объективизировать эффективность применения биоматериала на основе коллагена I типа при динамическом наблюдении за пациентами с СДС в течение 4 недель.

Материалы и методы. В исследование вошли 75 пациентов с СДС. Критериями включения являлись возраст (18–80 лет), не заживающая трофическая язва СДС на фоне СД 2-го типа, глубина поражения исследуемой язвы – Wagner II–III, в том числе с незаживающей раной в течение 1,5– 6 месяцев (50,7%) и 6–48 месяцев (49,3%). В стационаре лечились 42 (56,0%) пациента, амбулаторно – 33 (44,0%). В среднем (медиана) длина раны в основной группе составила 4,8 см, в группе сравнения – 5,0 см; ширина – 2,8 и 3,0 см соответственно; глубина – 0,3 см в обеих группах. Площадь СДС составила в среднем в основной группе 13,5 см², в группе сравнения – 12,5 см² ($p>0,05$). Объем СДС в среднем составил в группе Коллост 4,65 см³, в группе стандартной терапии – 3,6 см³. Включенные в исследование пациенты были рандомизированы на две группы. В группу стандартной терапии (группа сравнения) вошли 37 (50,7%) больных (20 мужчин и 17 женщин), получавших стандартное лечение без использования коллагенового материала, но с применением гидроколлоидных повязок. Основную группу составили 38 (50,7%) пациентов (18 мужчин и 20 женщин), стандартное лечение которых было дополнено местным применением коллагенового биоматериала Коллост в разных формах (гель, мембрана, шарики, порошок). Исходные размеры дефекта тканей в обеих группах были статистически однородными ($p>0,05$). Группы пациентов были сопоставимы по возрастно-половому составу, уровню инвалидизации, длительности СД, СДС, а также по размерам и глубине ран/язв, сопутствующим и перенесенным сердечно-сосудистым заболеваниям, проводимой противодиабетической и сосудистой терапии и изначальному уровню гликированного гемоглобина и гликемии ($p>0,05$).

Результаты исследования. В ходе исследования выявлено, что дополнительное назначение биоматериала Коллост привело к более выраженному регрессу размеров раны СДС. В основной группе ширина за 4 недели сократилась в 2,8 раза, а в группе сравнения – в 1,5 раза. Длина язвы за 4 недели в основной группе сократилась в среднем с 4,8 до 2,3 см (регресс в среднем составил

2,1 раза; $p < 0,05$), а в группе сравнения – с 5,0 до 3,9 см (в 1,3 раза; $p < 0,05$). Динамика глубины раны была статистически одинаковой. В итоге на 4-м визите по площади и объему раны зарегистрирована значимая статистическая межгрупповая разница в 3,3 раза, демонстрирующая преимущества коллагенового биоматериала (2,1 см² против 7,0 см²; $p < 0,05$), причем в основной группе площадь трофической язвы за 4 недели сократилась в 6,4 раза, а в группе сравнения всего в 1,8 раза. Аналогичная динамика с достоверной разницей между группами на 4-м визите установлена при изучении объема язвы. На 28-е сутки лечения констатирована значимая разница между группами в 3,3 раза (0,34 см³ против 1,1 см³; $p < 0,05$). Важным прогностическим критерием является глубина поражения. Чем она меньше изначально, тем более выражен регресс очага поражения СДС, т.е. лучше заживление раны. Назначение Коллоста приводило к значимому уменьшению в 4-недельный срок размеров дефекта как при Wagner II (в среднем в 4,4 раза, с 8,8 до 2,0 см²; $p < 0,05$), так и Wagner III (в 2,6 раза, с 55,0 до 21,3 см²; $p < 0,05$). В группе сравнения значимая динамика была только среди пациентов с Wagner II (в 1,8 раза, с 10,0 до 5,6 см²; $p < 0,05$), при Wagner III площадь язвы в течение месяца практически не изменилась (на 1-м визите 36,0 см², на 4-м визите 32,4 см²; $p > 0,05$). В основной группе площадь раны сократилась в среднем в 4,58 раза, в группе сравнения – в 2,95 раза. В этой подгруппе достигнута разница на 4-м визите ($p = 0,045$). Результаты исследования показали, что от этапа включения до 28-го дня лечения процент сокращения площади раны/язвы в среднем в группе сравнения составил 47%, а в основной группе – 67% (в 1,4 раза больше; $p < 0,05$), объема – 78 и 90% соответственно ($p < 0,05$). Наибольшие межгрупповые различия этих показателей достигнуты при глубине поражения Wagner III и при хронических ранах, а максимальный регресс, наоборот, зарегистрирован при глубине поражения Wagner II и при длительности настоящего эпизода СДС менее 6 месяцев. К концу 4-й недели лечения полная эпителизация была зарегистрирована в 11 (14,7%) случаях, в том числе в 8 (21,1%) случаях в группе Коллост и 3 (8,1%) в группе сравнения. Отсутствие эпителизации или заживление раны менее чем на 25% от первоначальной к 28-м суткам были зарегистрированы в 15 (20,0%) случаях, в том числе в 3 (7,9%) случаях в группе Коллост и

у 12 (32,4%) пациентов группы сравнения. Следовательно, назначение биоматериала Коллост в рамках стандартного лечения СДС уже через 1 мес лечения приводило к увеличению случаев полной эпителизации раны в 2,6 раза при одновременном уменьшении в 4,1 раза случаев безрезультатного лечения. Полученные в ходе исследования данные доказывают эффективность местного лечения с использованием биоматериала на основе нативного коллагена I типа.

Выводы. Дополнительное использование коллагенового биоматериала (Коллост) у пациентов с СДС приводит через 4 недели лечения к более значимому сокращению размеров трофической язвы, в том числе площади и объема, а также увеличению частоты случаев полной эпителизации раны. Установленная эффективность обосновывает целесообразность широкого клинического применения медицинских изделий нативного коллагена при трофических язвах СДС.

Литература

1. Алгоритмы специализированной медицинской помощи больным сахарным диабетом. Под ред. Дедова И.И., Шестаковой М.В. М.: УП ПРИНТ; 2015.
2. Ricco J.B., Thanh Phong L., Schneider F. et al. The diabetic foot: a review // J. Cardiovasc Surg. – 2013. – Vol. 54. – P. 755–762.
3. Wiegand C., Bühren B.A., Bünemann E., Schrupf H., Homey B., Frykberg R.G., Lurie F., Gerber P.A. A novel native collagen dressing with advantageous properties to promote physiological wound healing. Journal of Wound Care. – 2016. – Vol. 25(12). – P.713-720.

Summary

THE EFFICACY OF TOPICAL APPLICATION OF COLLAGEN BIOMATERIAL IN THE TREATMENT OF CHRONIC WOUNDS IN DIABETIC FOOT SYNDROME

Gabitov R.B.

*I. M. Sechenov First Moscow State Medical University, Russia
dr.gabitov@mail.ru*

The paper presents the effectiveness of the use of biomaterial based on type I collagen in the dynamic observation of patients with diabetic foot syndrome for 4 weeks. When using biomaterial for the treatment of diabetic foot syndrome after 4 weeks, it leads to a more significant

reduction in the size of the trophic ulcer, including the area and volume, as well as an increase in the frequency of cases of complete epithelialization of the wound.

МИКРОНИДЛИНГ В ЛЕЧЕНИИ ПОСЛЕОЖОГОВЫХ РУБЦОВ КОЖИ

Глуткин А. В, Ломонос Я. А.

Гродненский государственный медицинский университет, г. Гродно,

Беларусь

glutkinaalex@mail.ru

Введение. Ожоговый травматизм является важнейшей медико-социальной проблемой современного общества, что обусловлено распространенностью среди всех возрастных групп, высокой летальностью. По данным ВОЗ, ежегодно обращаются за медицинской помощью с ожогами примерно 6 миллионов человек. Группа риска получения ожоговой травмы – дети до трех лет. Заживление ожоговых ран у большинства пациентов при современном активном лечении завершается формированием удовлетворительного кожного покрова. Однако лечение пограничных и глубоких ожоговых ран всегда сопряжено с повышенным риском возникновения патологических рубцов. Рубец – это соединительнотканная структура, возникшая в месте повреждения кожи в результате воздействия различных травмирующих факторов. Согласно классификации А. Е. Резниковой, рубцы подразделяют следующим образом: атрофические, нормотрофические, гипертрофические и келоидные. Распространенность гипертрофических и келоидных рубцов кожи в общей популяции довольно высока и составляет от 4,5 до 16% в разных регионах мира [1]. Лечение рубцов и вызванных ими последствий остается одной из сложных проблем детской хирургии, а также пластической и реконструктивной хирургии. Один из современных инновационных методов лечения патологических рубцов – микронидлинг. Медицинский микронидлинг – это контролируемое точечное повреждение кожи с целью стимуляции образования новых коллагеновых структур. Для медицинского микронидлинга используются иглы длиной от 0,5 до 2 мм, что позволяет достичь дермального слоя, где происходят

наиболее существенные гистологические процессы, связанные со старением. Эффект транскутанной индукции синтеза коллагена возникает в результате естественной реакции кожи на травму. Кроме того, медицинский микронидлинг позволяет обеспечить интрадермальную доставку разных веществ. Одно из преимуществ данного метода лечения – его эффективность в сочетании с простотой выполнения.

Цель – оценить эффективность использования микронидлинга в лечении детей с послеожоговыми рубцами.

Материал и методы. В клинике детской хирургии на базе Гродненской областной детской клинической больницы проведено лечение 18 пациентам в возрасте от 1 года до 18 лет, которым в комплексное лечение включали микронидлинг. Количество процедур подбирали индивидуально, в зависимости от рубцовых изменений (от 1 до 3 раз). В алгоритм комплексного лечения включали использование медицинского силикона, компрессионного трикотажа, ферментативных препаратов. Эффективность консервативного лечения оценивали по субъективным критериям (зуд, нарушение сна) с использованием визуально-аналоговой шкалы от 0 до 10 баллов, объективно – с помощью Ванкуверской шкалы, разработанной Т. Sullivan и соавторами для оценки рубца по параметрам: пигментация, васкуляризация, эластичность, высота рубца над уровнем здоровой кожи. Первая процедура микронидлинга осуществлялась через 4-6 месяцев после эпителизации ран и зависела от психологической настроенности родителей пациента.

Результаты исследований. В начале лечения у пациентов интенсивность зуда была 7-9 баллов, имелись нарушения сна, появление рубцов по Ванкуверской шкале оценивалось в 8-10 баллов (рис. 1).



Рисунок 1. – Патологический рубец до выполнения микронидлинга

У пациентов после 3-х месяцев терапии субъективные и объективные показатели рубцового процесса были значительно лучше. После проведения микронидлинга (через месяц) интенсивность зуда снизилась до 2-4 баллов, нормализация сна отмечалась у всех пациентов. Объективно внешний вид рубцовоизмененных тканей у пациентов составил 3-4 балла согласно Ванкуверской шкале. Особенно быстро произошло снижение высоты и мобильности рубцовой ткани, соответственно, ее плотности и гиперпигментации (рис. 2).



Рисунок 2. – Патологический рубец после выполнения микронидлинга (2 процедуры)

Известно, что микронидлинг запускает синтез коллагена, а при точечном повреждении кровеносных микрососудов происходит высвобождение тромбоцитов и развивается воспалительный процесс защитного характера, что приводит к высвобождению факторов роста. Результатом целого ряда последующих патофизиологических процессов становится активизация синтеза коллагена и эластина в дермальном слое кожи [2].

Таким образом, наши данные показывают эффективность применения микронидлинга в комплексной терапии послеожоговых рубцов на коже у детей. Использование микронидлинга приводит к снижению плотности послеожоговых рубцов, снижению гиперпигментации, что способствует улучшению качества жизни пациента.

Литература

1. Андрашко, Ю. В. Новый взгляд на возможности микронидлинга: микроигльчатая редурализация кожи различных участков тела Ю. В. Андрашко, И. А. Андрашко, Р. Р. Яремкевич // Дерматология и Венерология. – 2017. – № 1 (75). – С. 54-58.

2. Флакс, Г. А. / Сравнительная оценка различных методов лечения келоидных и гипертрофических рубцов // Г. А. Флакс и [и др.] // Экспериментальная и клиническая дерматокосметология. – 2012. – № 3. – С.43-46.

Summary

MICRONEEDLING IN THE TREATMENT OF POST-BURN SKIN SCARS

Hlutkin A.V., Lomonos Ya.A.

*Grodno State Medical University, Grodno
glutkinalex@mail.ru*

The effectiveness of microneedling in the treatment of 18 children with post-burn scars was evaluated. Microneedling leads to a decrease in the density of post-burn scars, reduce hyperpigmentation, which improves the quality of life of the patient.

ГАЗОТРАНСМИТТЕР СЕРОВОДОРОД ПРИ ИНФАРКТЕ МИОКАРДА В СОЧЕТАНИИ С МЕТАБОЛИЧЕСКИМ СИНДРОМОМ

Глуткина Н. В., Велисейчик А. А.

*Гродненский государственный медицинский университет, г. Гродно,
glutkina@mail.ru*

Введение. Метаболический синдром (МС) представляет собой важную медико-социальную проблему и рассматривается не только как часто встречающаяся патология, но также как патология, сопровождающаяся сердечно-сосудистыми осложнениями [2]. Данный синдром – одна из основных причин смерти во всем мире, по данным Всемирной организации здравоохранения.

Однако нет единого мнения о природе метаболических нарушений в патогенезе МС. Ранняя диагностика МС, своевременное назначение патогенетической многокомпонентной терапии и правильно выбранная тактика позволяют повысить эффективность лечения МС и снизить риск развития осложнений [5]. Нами ранее было показана роль кислородтранспортной функции крови и газотрансмиттера монооксида азота в патогенезе МС [4]. Последние годы исследователи активно изучают значение другого газотрансмиттера сероводорода (H_2S). Эндогенно он синтезируется в тканях из L-цистеина благодаря специальным цитозольным пиридоксаль-5,-фосфат-зависимых ферментам: цистотионин- β -синтаза и цистотионин- γ -лиаза, а также зависимого от Zn^{2+} фермента, локализованного как в цитоплазме, так и в митохондриях, – 3-меркаптопируват-сульфуртрансфераза [3]. Газотрансмиттеры вовлечены во внутри- и межклеточную коммуникацию с высокой специфичностью во многих клетках, тканях и органах, так как они хорошо растворимы в липидах, легко проходят через клеточные и субклеточные мембраны [1]. Сероводород может осуществлять кардиопротективный эффект через разные механизмы, в том числе и через активацию эндотелиальной NO-синтазы и изменение ее биоактивности.

Цель исследования: оценить содержание газотрансмиттера H_2S в крови у пациентов с перенесенным инфарктом миокарда в сочетании с МС на 25-60-е сутки от начала заболевания.

Материал и методы. Обследованы 25 пациентов женского и мужского пола, средний возраст 58,0 (53,0; 63,0) лет, перенесших Q-инфаркт миокарда (на 25 и 60-е сутки от начала заболевания) в сочетании с артериальной гипертензией 2-й степени риском 4 (по классификации ВОЗ), сердечной недостаточностью функционального класса 1-2-й степени (NYHA) и метаболическим синдромом. Пациенты получали стандартную терапию. Уровень эндогенного сероводорода оценивался нами спектрофотометрическим методом, основанным на реакции между сульфид-анионом и кислым раствором реактива N, N-диметилпарафенилендиамина солянокислого. Величины pO_2 , pCO_2 , pH, содержание метгемоглобинов и степень насыщения крови кислородом определялись в исследуемых пробах крови с помощью микрогазоанализатора «Synthesis-15» фирмы «Instrumentation Laboratory». Сродство гемоглобина к кислороду оценивалось по показателю $p50$ (pO_2 , соответствующее 50% насыщению гемоглобина кислородом), определяемому спектрофотометрическим методом при температуре 37°C, pH=7,4 и $pCO_2=40$ мм рт. ст. ($p50_{\text{станд}}$). Кислотно-основное состояние крови определялось по следующим показателям: реальный и стандартный избыток буферных оснований, стандартный бикарбонат, концентрация гидрокарбоната, общей углекислоты, стандартного бикарбоната. Полученные данные статистически обрабатывались общепринятыми методами вариационной статистики.

Результаты исследований. Уровень сероводорода в плазме крови на 25 и 60-е сутки у данных пациентов был 12,12 (11,27; 15,49) и 15,49 (14,23; 18,45) ($p<0,05$) мкмоль/л, соответственно, т. е. отмечалось его увеличение, но оно было меньше, чем у здоровых. У пациентов с перенесенным инфарктом миокарда в сочетании с МС на 60-е сутки напряжение и степень насыщения крови кислородом увеличились; $p50$ при реальных условиях у исследуемых пациентов составил 30,3 (29,1; 30,6) мм рт. ст. на 25-е сутки, а к концу исследуемого периода составлял 30,5 (27,6, 30,6) мм рт. ст., что выше, чем у пациентов без МС, и свидетельствует о смещении кривой диссоциации оксигемоглобина вправо.

Сероводород играет важную роль в процессах внутриклеточного метаболизма и осуществлении контроля над фундаментальными клеточными процессами: регуляцией нервной

(процессы нейронной передачи сигнала), сердечно-сосудистой (расслабление гладких мышц), иммунной (противовоспалительный и цитопротекторный агент), сенсорной, пищеварительной систем, а также в метаболизме разных органов [6]. Пересечение на тех или иных уровнях NO- и H₂S-зависимых сигнальных каскадов может приводить как к взаимному активированию, так и к ингибированию данных сигнальных систем, в результате чего возможна вариативность физиологических реакций со стороны отдельных клеток, органов и систем [1]. Модулирующее действие газообразных посредников, участвующих в обмене классических медиаторов, обеспечивает многообразные функции – от управления локальной регуляцией интенсивности местного кровотока до сложных каскадных процессов формирования функциональных свойств гемопротеидов. Эффекты данных эндогенных газопосредников на систему транспорта кислорода реализуются не только через регулирование гемодинамического компонента данной системы, но и через формирование кислородтранспортной функции крови. Выявленное в нашем исследовании увеличение содержания сероводорода в крови может иметь значение для изменения кислородсвязывающих свойств крови и уменьшения проявлений данной патологии.

Таким образом, у пациентов с перенесенным инфарктом миокарда в сочетании с МС на 25 и 60-е сутки от начала заболевания на фоне проводимой терапии отмечается увеличение содержания H₂S, изменение показателей механизмов транспорта кислорода кровью, направленных на компенсацию недостаточности функции кровообращения.

Литература

1. Гусакова, С. В. Молекулярные механизмы действия газотрансмиттеров NO, CO и HS в гладкомышечных клетках и влияние NO-генерирующих соединений (нитратов и нитритов) на среднюю продолжительность жизни / С. В. Гусакова [и др.] // Успехи физиологических наук. – 2017. – Т. 48, № 1. – С. 24-52.
2. Калашникова, М. Ф. Метаболический синдром: современный взгляд на концепцию, методы профилактики и лечения / М. Ф. Калашникова // Эффективная фармакотерапия. Эндокринология. – 2013. – № 6. – С. 52-63.
3. Колесников, С. И. Сероводород как третья эссенциальная газовая молекула живых тканей / С. И. Колесников, Б. Я. Власов, Л. И. Колесникова // Вестник РАМН. – 2015. – Т. 70, № 2. – С. – 237-241.

4. Пырочкин В. М., Глуткина Н. В. Механизмы транспорта кислорода и свободнорадикального окисления липидов при инфаркте миокарда в сочетании с метаболическим синдромом, сахарным диабетом 2-го типа: [монография]. – Москва: «Новое знание», 2014. – 136 с.

5. Шалина, М. А. Метаболический синдром у женщин старшего возраста / М. А. Шалина // Журнал акушерства и женских болезней. – 2019. – Т. 68. – № 3. – С. 81-88.

6. Kolluru, G. K. Oxygen tension, H₂S, and NO bioavailability: is there an interaction? / G. K. Kolluru, [et al.] // J. Appl. Physiol. – 2016. – Vol. 120, № 2. – P. 263-270.

Summary

GAS TRANSMITTERS HYDROGEN SULFIDE IN MYOCARDIAL INFARCTION IN COMBINATION WITH METABOLIC SYNDROME

Hlutkina N.V. Velisaicyk A.A.

*Grodno State Medical University, Grodno
glutkina@mail.ru*

The evaluation of the content of gettransmitter H₂S in the blood from 25 patients with myocardial infarction in combination with MS at 25-60 days from the onset of the disease, which on the background of the therapy the increase in H₂S and indicators of the mechanisms of oxygen transport in the blood to compensate the insufficient function of blood circulation.

АНАЛИЗ КАЧЕСТВА ЖИЗНИ ЖЕНЩИН ПОСТРЕПРОДУКТИВНОГО ВОЗРАСТА

Гончарук Я. И., Бутько В. В.

*Гродненский государственный медицинский университет, г. Гродно,
Беларусь
уана-993@mail.ru*

Введение. Оценка качества жизни у женщин пострепродуктивного возраста – перспективное направление современной медицины. Качество жизни – это интегральная характеристика физического, психологического, эмоционального и социального функционирования пациенток, основанная на субъективном восприятии [1]. С внедрением в практику индексов

качества жизни появилась возможность оценить нарушения в состоянии здоровья, выбрать рациональный метод лечения и определить ожидаемые результаты по параметрам.

Цель исследования. Провести анализ параметров физического и психологического компонента качества жизни женщин 45 лет и старше, проживающих в Гродненской области, среди городского и сельского населения.

Материал и методы исследования. Проведено анкетирование 200 женщин в возрасте 45-83 лет, средний возраст женщин составил $54 \pm 3,8$ года. По территориальным особенностям: 78% составили женщины городской местности и 22% – из сельской. Инструментом исследования была русскоязычная версия опросника «Ankieta dla kobiet w wieku 45-60 lat», основанного на ВОЗ-опроснике SF-36 [2]. Оценка КЖ основывалась на применении субъективной модели, которая согласована на главном критерии КЖ – самооценке удовлетворенности жизнью в определенный момент жизни.

Результаты исследований. При обработке результатов в части опросника, основанной на шкалах SF-36, были получены следующие данные по физическому и психологическому компоненту. Общее состояние здоровья у женщин старше 45 лет (по их самооценке) составляет 49 баллов среди городского населения и 50 баллов – среди женщин сельского населения: данные свидетельствуют об ухудшении состояния здоровья исследуемых, скором развитии заболевания и о повышении риска преждевременного (ускоренного) старения. Физическое функционирование – 26 баллов у городского населения и 35 баллов – сельского. Это пониженный показатель, при котором физическая активность обследуемых женщин значительно ограничивается состоянием их здоровья, что отражается негативно на функции стабильности и повышает риск падений. Ролевое функционирование, обусловленное физическим состоянием, составило 62 балла у женщин, проживающих в городах, 60 баллов – среди женщин, проживающих в сельской местности: это высокий показатель, характеризуется тем, что повседневная деятельность не ограничена физическим состоянием здоровья женщин. Интенсивность боли: значение данного показателя среди городского населения – 62 балла, у женщин, проживающих в сельской местности, – 64 балла. Данный показатель характеризует

повышенную болезненность, которая негативно отражается на повседневной жизни в связи с болевыми ощущениями у женщин старше 45 лет. Ролевое функционирование, обусловленное эмоциональным состоянием, составило 72 балла среди городского населения, а в сельской местности – 71 балл. Социальное функционирование оказалось наиболее сохранённым у городских женщин – 73 балла, данный показатель характеризуется высоким уровнем качества жизни и оценивается удовлетворенностью в социальной активности; у сельских женщин этот показатель – 68 балла, что свидетельствует об ограничении социальных контактов. Жизненная активность у женщин, проживающих в городе, составила 52 балла и, соответственно, 51 балл у женщин среди сельского населения – повышенный показатель активности, что является одним из необходимых условий успешного долголетия. Психическое здоровье – 67 баллов у женщин в городской местности и 66 баллов – среди сельского населения.

Выводы. Таким образом, психологический компонент качества жизни оценивается женщинами (независимо от их проживания в городе или в селе) как наиболее сохранённый в сравнении с физическим компонентом. При сопоставлении результатов оценки качества жизни по восьми шкалам отмечено, что повышенные показатели качества жизни по следующим шкалам: «Социальное функционирование», «Ролевое функционирование, обусловленное эмоциональным состоянием», «Психическое здоровье». «Ролевое функционирование, обусловленное физическим состоянием» и «Интенсивность боли». Самые низкие оценки респондентами даны по шкале «Физическое функционирование». Результаты оценок по остальным шкалам, а именно: «Общее состояние здоровья», а также «Жизненная активность» составили промежуточные значения. Интегральный уровень качества жизни, оцененный по всем шкалам и компонентам, составил 58 баллов по 100-балльной шкале («среднее» значение), его значения выше (но в пределах «среднего») у городских женщин.

Литература

1. Ворошилова, И. И. Ожидаемая продолжительность жизни и смертность как индикаторы качества жизни пожилых людей / И. И. Ворошилова // Современные наукоемкие технологии. – 2008. – № 6 – С. 38–41.

2. Kolarzyk Emilia. Ogólnopolskie badania jakości życia związanej ze zdrowiem fizycznym i psychicznym kobiet w wieku 45-60 lat – metodologia badań / Emilia Kolarzyk // Problemy Higieny I Epidemiologii. –2009. – tom 90. – №4. –s. 490-494.

Summary

ANALYSIS QUALITY OF THE LIFE IN POST-PRODUCTIVE WOMEN

Goncharuk Y.I., Butsko V.V.

*Grodno State Medical University, Grodno
yana-993@mail.ru*

Assessment of the quality of life in women over 45 years is a promising direction of modern medicine. The work presents an analysis of the physical and psychological components of lives.

АНАТОМИЯ ПУПОЧНОЙ И ОКОЛОПУПОЧНЫХ ВЕН ВЗРОСЛОГО ЧЕЛОВЕКА

Гордионюк Д. М., Денисов С. Д., Лопухов О. В.

*Белорусский государственный медицинский университет, г. Минск,
Delmicom11@gmail.com*

Введение. В современной литературе анатомия пупочной и тесно связанных с ней околопупочных вен освещается мало, несмотря на проводившиеся исследования в этой области еще в 19-м веке [1]. Круглая связка печени является волокнистым остатком облитерированной пупочной вены, однако небольшой просвет пупочной вены сохраняется во взрослой жизни.

Одним из первых околопупочные вены описал Вигор, который наблюдал сосуды, отходящие от нижней надчревной вены, сопровождающие пупочную вену и впадающие в нее одним стволом [2]. Эти вены получили название вены Вигор's. Следующие исследования околопупочных вен были сделаны Сарреу, который изучал посмертные изменения печени пациентов с

портальной гипертензией и выраженным расширением вен. Sarrey разделил обнаруженные им околопупочные вены на верхнюю и нижнюю группы [3].

Знание анатомии и топографии пупочной вены имеет важное практическое значение, так как у новорожденных она используется для катетеризации с целью инфузионной терапии, а у взрослых для канюляции с целью проведения лечебных и диагностических манипуляций.

Цель исследования. Установить особенности макроскопического строения пупочной и околопупочных вен взрослого человека.

Материал и методы. Исследование анатомии пупочной и околопупочных вен проведено методом макро-микроскопического препарирования печени человека с венами и связками. Препарированию подверглись 20 нефиксированных и 7 фиксированных в 10% растворе формалина препаратов печени человека. Все 27 препаратов были изъяты у людей без патологии гепатобилиарной системы, возраст которых на момент смерти составлял от 49 до 69 лет.

Результаты исследований. При препарировании печени взрослого человека установлено, что пупочная вена поднимается от пупочного кольца вверх не строго вертикально, а постепенно отклоняется вправо от средней линии и назад, располагаясь в толще круглой и серповидной связок печени по их задним краям. Угол между передней брюшной стенкой и пупочной веной составляет примерно 30 градусов, что соответствует данным предыдущих исследований (Braastad, Condon & Gyorkey, 1967; Krahn, 1974).

Средний диаметр пупочной вены взрослого человека в области перехода в пупочную часть левой ветви воротной вены печени составляет 7,74 мм (7,4; 8,2). Средний диаметр пупочной вены в области вырезки круглой связки печени – 7,26 мм (7,1; 7,7). Пупочная вена имеет три участка (сегмента) – верхний, нижний и средний. Верхний сегмент располагается внутри щели круглой связки печени на ее висцеральной поверхности (рис. 1). В 13 из 27 препаратов верхний сегмент был покрыт участком паренхимы печени, который носит название *ponshepatis*. Для выделения верхнего сегмента пупочной вены этот участок печени необходимо рассечь. В 23 из 27

(85%) препаратов верхний сегмент пупочной вены не был облитерирован на всем протяжении, а его просвет заполнен кровью.

Средний сегмент пупочной вены располагается на участке от нижнего края печени до места разделения на отдельные ветви, которые радиально расходятся и проникают в заднюю стенку влагалища прямой мышцы живота. Во всех исследованных макропрепаратах средний сегмент был облитерирован и непроходим для зонда.

Нижний сегмент пупочной вены – самый длинный и может составлять до половины длины всей вены.

Система околопупочных вен представлена тремя группами вен: нижние и верхние вены Sappey, а также вены Burow's. Верхние вены Sappey располагаются в серповидной связке печени выше свободного края последней. В этой части серповидная связка печени не имеет жировой клетчатки и представлена двумя листками брюшины. Это обстоятельство делает невозможным их выделение в ходе препарирования. Эти вены могут быть визуализированы с помощью трансиллюминации. Верхние вены Sappey состоят их тонкостенных каналов, образующих аркады, наподобие венозных аркад тонкой кишки.

Нижние вены Sappey находятся в жировой клетчатке нижней части серповидной связки печени и включают одну крупную вену, идущую от пупочной области к печени, и нескольких мелких вен. Эта вена покрыта пластинкой капсулы Глиссона. При этом все мелкие вены и остальные притоки нижних вен Sappey из области перехода жировой части серповидной связки печени в мембранозную дренируются в эту крупную вену. Сама же она связана с нижней надчревной веной и впадает в ветви воротной вены печени (ветви к квадратной доле печени, recessus umbilicalis).

Вены Burow идут от пупка в толще круглой связки печени и впадают в средний сегмент пупочной вены. Данные вены не связаны непосредственно с ветвями воротной вены.

Выводы:

1. Пупочная вена взрослого человека имеет три сегмента, имеющих топографо-анатомические особенности. Верхний сегмент располагается внутри щели круглой связки печени на ее висцеральной поверхности и в 85% случаев имеет просвет на всем протяжении. Средний сегмент пупочной вены располагается на

участке от нижнего края печени до места разделения на отдельные ветви. Нижний сегмент пупочной вены представлен несколькими отдельными радиально расходящимися ветвями.

2. Нижние околопупочные вены находятся в жировой ткани нижней части серповидной связки печени и представлены одной крупной веной, идущей от пупочной области к печени, и несколькими мелкими вен. Все мелкие вены и притоки нижних околопупочных вен впадают в эту крупную вену.

3. Верхние околопупочные вены взрослого человека располагаются в серповидной связке печени выше ее свободного края. В этой части серповидная связка печени не имеет жировой клетчатки и представлена двумя листками брюшины, что делает невозможным выделение вен в ходе препарирования. Эти вены могут быть визуализированы с помощью трансиллюминации. Верхние околопупочные вены соединяются анастомозами и образуют аркады, наподобие венозных аркад тонкой кишки.

4. Вены Burow's идут от пупка и впадают в средний сегмент пупочной вены и не связаны непосредственно с ветвями воротной вены печени.

Литература

1. His, W. Anatomie menschlicher Embryonen / W. His // Leipzig: Vogel. – 1885. – Vol. 3. – P. 206.
2. Burow, K. A. Beitrag zur Gefasslehre des Fetus. Archivfur / K. A. Burow // Anatomie und Physiologie. – 1838. – P. 44-45.
3. Sappey, M. C. Memoire sur les veines portes accessoires / M. C. Sappey // Journal de l'anatomie et de la physiologie normales et pathologiques de l'homme et des animaux. – 1883. – Vol. 19. – P. 517-525.

Summary

ANATOMY OF THE UMBILICAL AND PARAUMBILICAL VEINS OF THE MAN

Gordionok D.M. Denisov S.D., Lopuhov O.V.

Belarussian state medical university, Minsk

Delmicom11@gmail.com

The study is devoted to the macroscopic structure of the umbilical and paraumbilical veins. Macro-microscopic dissection of the human liver was carried out in one block with veins, a round ligament of the liver and the posterior wall of the vagina of the rectus abdominis muscle.

The structural features and topography of the three segments of the umbilical vein. The structural features and topography of the paraumbilical veins are presented.

РОЛЬ ПУПОЧНОЙ ВЕНЫ В КОЛЛАТЕРАЛЬНОМ КРОВОТОКЕ ПРИ ПОРТАЛЬНОЙ ГИПЕРТЕНЗИИ (ПО ДАННЫМ КОМПЬЮТЕРНОЙ ТОМОГРАФИИ)

Гордионюк Д. М., Денисов С. Д., Мацкевич П.А.

*Белорусский государственный медицинский университет, г. Минск,
Беларусь
Delmicom11@gmail.com*

Введение. Нарушение проходимости магистральных сосудов запускает механизм развития коллатерального кровотока, направленного на снижение венозной недостаточности [1]. Использование современных методов диагностики, таких как компьютерная и магнитно-резонансная томография, позволяет дать детальное описание изменений, которые происходят у живых людей при возникновении препятствия току крови в магистральных сосудах.

Топографо-анатомические характеристики путей коллатерального кровотока при портальной гипертензии изучены достаточно хорошо. Однако большинство исследований опираются на результаты анатомических и рентгенологических методов исследования вен на умершем человеке. Исследования, проведенные с помощью современных методов, таких как компьютерная томография с контрастным усилением, акцентируют внимание не на описании анатомии путей коллатерального кровотока, а на клинических симптомах окклюзии магистральных сосудов [2, 3].

Цель исследования. Установить роль, топографо-анатомические и морфометрические характеристики пупочной вены в развитии коллатерального кровотока при портальной гипертензии у взрослого человека.

Материал и методы. Материалом исследования служили серии сканов грудной и брюшной полостей, полученные при компьютерной томографии с контрастным усилением 108 пациентов (39 женщин и 69 мужчин) в возрасте от 23 до 77 лет (Me=58 лет; средний возраст $55,8 \pm 12,06$ года) с портальной

гипертензией, проходивших обследование и лечение в отделении портальной гипертензии УЗ «Минский научно-практический центр хирургии, трансплантологии и гематологии» с 2013 по 2017 гг.

Изучались топографические и морфометрические характеристики пупочной и воротной вены печени. Анализ изображения проводился во фронтальной, аксиальной и сагиттальной проекциях, с построением многоплоскостных реформаций и объемных 3D-сосудистых реконструкций. Статистическая обработка данных велась с использованием программы обработки электронных таблиц «Microsoft Excel 2016» и лицензионной диалоговой программы «Statistica 10.0».

Результаты исследования. При компьютерной томографии с контрастным усилением в портальную венозную фазу исследования у всех пациентов с портальной гипертензией были выявлены разные пути коллатерального кровотока. Наиболее часто встречалось расширение левой желудочной вены (95%), пищеводных вен (87%), брыжеечных вен (68%) и вен в области ворот селезенки (73%). При этом наблюдается увеличение диаметра вен по сравнению с нормой в 3-5 раз [2].

Частота реканализации пупочной вены при портальной гипертензии составляет 38,9%. Средний диаметр реканализированной пупочной вены – 8,80 мм (5,30; 11,10).

Средний диаметр воротной вены печени у взрослого человека при портальной гипертензии – 14,20 мм (13,00; 16,00). Средний диаметр левой ветви воротной вены печени – 11,30 мм (9,50; 13,00).

Так как пупочная вена является ветвью воротной вены печени, существует зависимость между диаметром воротной вены печени и степенью развития путей коллатерального кровотока. Для выявления подобных связей применены методы корреляционного анализа и выявлена статистически значимая прямая умеренная корреляционная связь между диаметром пупочной вены и диаметром воротной вены печени ($r=0,65$, $p<0,05$).

У 31 пациента (28,7%) пупочная вена анастомозировала с правой нижней надчревной веной. Пупочная вена начиналась от пупочной части левой ветви воротной вены печени прямым анастомозом, далее вена проходила в толще круглой связки печени от щели круглой связки печени к передней брюшной стенке, где анастомозировала с правой нижней надчревной веной в

предбрюшинной клетчатке на задней поверхности прямой мышцы живота. При этом пупочная вена имела извитой ход в сагиттальной и фронтальной плоскостях. Нижняя надчревная вена варикозно расширилась и впадала в наружную подвздошную вену.

У 2 пациентов (1,9%) пупочная вена анастомозировала с левой нижней надчревной веной. При этом левая нижняя надчревная вена была варикозно расширена и впадала в наружную подвздошную вену. При этом наблюдалось расширение поверхностной надчревной вены, которая анастомозировала с грудно-надчревной веной. Прямого анастомоза между пупочной веной и поверхностной надчревной веной не отмечалось.

У 9 (8,6%) пациентов визуализировалась пупочная вена, которая анастомозировала с правой нижней надчревной веной и правой поверхностной надчревной веной. На уровне пупка справа четко определялся анастомоз между пупочной веной и поверхностной надчревной веной. Поверхностная надчревная вена была варикозно расширена, а в области анастомоза с пупочной веной определялось аневризматическое расширение. Поверхностная надчревная вена впадала в бедренную вену ниже паховой связки, в области впадения большой подкожной вены ноги в бедренную вену.

Выводы:

1. Частота реканализации пупочной вены при портальной гипертензии составляет 39,81%. Средний диаметр реканализированной пупочной вены – 8,80 мм (5,30; 11,10).

2. При портальной гипертензии у взрослого человека в разных сочетаниях формируются анастомозы пупочной вены с нижними надчревыми (100%), верхними надчревыми (7,0%) и поверхностными надчревыми венами 8,3%. Наиболее часто происходит формирование анастомозов с нижними надчревыми венами.

3. При портальной гипертензии выявляется положительная, прямая, умеренной силы корреляционная связь между диаметром воротной вены печени и диаметром реканализированной пупочной вены ($r=0,59$, $p<0,05$).

Литература

1. Kim, M. Y. Hemodynamic alterations in cirrhosis and portal hypertension / M. Y. Kim, S. K. Baik, S. S. Lee // Korean J Hepatol. – 2010. – Vol. 16, № 4. – P. 347-352.
2. Characterization of uncommon portosystemic collateral circulations in patients with hepatic cirrhosis / Q. Wu [et al.] // Oncology Letters. – 2015. – Vol. 9, № 1. – P. 347–350.
3. Moller, S. Splanchnic and systemic hemodynamic derangement in decompensated cirrhosis / S. Moller, F. Bendtsen, J. H. Henriksen // Can J Gastroenterol. – 2001. – Vol. 15. – P. 94–106.

Summary

THE ROLE OF THE UMBILICAL VEIN IN COLLATERAL BLOOD FLOW IN PORTAL HYPERTENSION (COMPUTED TOMOGRAPHY STUDY)

Gordionok D. M., Denisov S. D.

*Belarusian State Medical University, Minsk
Delmicom11@gmail.com*

The topographic, anatomical, and morphometric characteristics of recanalized umbilical vein providing collateral blood flow in portal hypertension were studied using contrast enhancement spiral computed tomography.

АНАЛИЗ РЕКОНСТРУКТИВНО-ПЛАСТИЧЕСКИХ ОПЕРАЦИЙ ПРИ РАКЕ МОЛОЧНОЙ ЖЕЛЕЗЫ В УЗ «ГРОДНЕНСКАЯ УНИВЕРСИТЕТСКАЯ КЛИНИКА»

¹Грек Н. И., ²Хоров А. О.

*¹Гродненская университетская клиника, г. Гродно, Беларусь
²Республиканский научно-практический центр онкологии и медицинской
радиологии им. Н. Н. Александрова, г. Минск, Беларусь
grek.hope10@gmail.com*

Введение. В последние годы отмечается тенденция к омоложению рака молочной железы (РМЖ), в связи с чем большое значение уделяется вопросам качества жизни пациенток. Однако во многих клиниках основным вариантом хирургического лечения по-прежнему остается радикальная мастэктомия. Потеря молочной железы – символа женственности, материнства и красоты, –

становится как физической, так и психологической травмой для женщины, постоянным напоминанием о диагнозе. В связи с этим наряду с радикализмом возрастает значимость и потребность реконструктивно-пластической хирургии в онкомамологии.

Цель исследования. Оценить опыт применения реконструктивно-пластических операций в УЗ «Гродненская университетская клиника» в период с 2014 по 2018 гг., проанализировать их эффективность, ближайшие и отдаленные результаты лечения, а также косметический эффект операций.

Материал и методы исследования. В проспективное исследование включены 72 пациентки с диагнозом РМЖ, которым было выполнено реконструктивно-пластическое лечение на базе онкологических отделений УЗ «Гродненская университетская клиника». Статистическая обработка полученных результатов проводилась с использованием Microsoft Excel 2013.

Результаты. Средний возраст пациенток в исследуемой группе составил 43,3 года. В возрастной категории до 40 лет РМЖ встречался в 28 случаях (39%), после 40 лет – в 44 случаях (61%). Распределение пациенток по стадии заболевания, степени дифференцировки и гистологической структуре опухолей представлено в таблице 1.

Таблица 1. – Характеристика пациенток по основным параметрам

Показатель	Количество случаев, n (% от общего числа случаев)	
Клиническая стадия	0	1 (1,4)
	I	25 (34,7)
	IIA	27 (37,5)
	IIB	13 (18,1)
	III	6 (8,3)
Степень дифференцировки опухоли	G2	39 (54,2)
	G3	33 (45,8)
Гистологический тип	протоковый	58 (80,6)
	дольковый	4 (5,6)
	протоковый+дольковый	5 (6,9)
	медулярный	5 (6,9)

Частота встречаемости разных молекулярных подтипов в изучаемой группе варьировала: люминальный-А (рецепторы

эстрогенов (ER)+/рецепторы прогестеронов (PR)+/рецептор фактора роста (HER2)-/Ki-67 – индекс пролиферативной активности: низкий ($\leq 20\%$) в 22 случаях (30,55%), люминальный-B HER2-негативный (ER+/PR- или низкий/HER2 – /Ki-67: высокий ($>20\%$)) – в 9 случаях (12,5%), люминальный-B HER2-позитивный (ER+/PR: любой/HER2+++/Ki-67: любой) – в 8 случаях (11,05%), HER2-обогащенный (не люминальный: ER – /PR-/HER2+++)) – в 13 случаях (18,1%), тройной негативный (ER-/PR-/HER2-) – в 20 случаях (27,8%).

Всем пациенткам наряду с удалением первичной опухоли и лимфодиссекцией выполнялся онкопластический хирургический компонент. Варианты реконструктивно-пластических операций на молочных железах: маммопластика с двух сторон с одномоментным эндопротезированием – у 32 женщин (44,5%), маммопластика местными тканями – у 21 (29,2%), маммопластика с двух сторон комбинированным способом (местными тканями и эндопротезами) – у 5 (6,9%), радикальная подкожная мастэктомия как этап отсроченной реконструкции – у 14 (19,4%). Средний срок наблюдения составил 24 месяца (диапазон 6-56 месяцев). Косметические результаты в послеоперационном периоде оценены как отличные в 35% случаев, хорошие – в 50% и удовлетворительные – в 15% случаев. Ранние послеоперационные осложнения возникли у 5 пациенток (6,9%): краевой некроз кожи молочной железы – в 4 случаях (5,6%), диффузное кровотечение – в 1 (1,4%), в 4 случаях эндопротез был удален. Среди поздних послеоперационных осложнений у 2 пациенток (2,8%) отмечена капсулярная контрактура молочной железы II степени. В одном случае эндопротез удален, в другом – иссечена капсула имплантата, дефект укрыт местными тканями, эндопротез сохранен.

В отдаленном периоде регистрировались удовлетворительные результаты. Отсутствие явных признаков калечащей операции и эстетический результат благоприятно влияли на эмоциональный статус пациенток.

Выводы. Реконструктивно-пластическая хирургия при РМЖ наиболее распространена среди женщин репродуктивного возраста, ведущих социально активный образ жизни, и при локализованном распространении процесса (I-II стадии). Операция выбора – первичная реконструкция молочной железы с применением

эндопротезов. Владение хирургами онкологических отделений техникой реконструктивно-пластических операций позволяет достичь хороших и отличных косметических результатов при незначительных послеоперационных осложнениях (9,7%), что сопоставимо с данными мировой литературы [1]. Использование методов первичной хирургической реабилитации при РМЖ позволяет выполнять одноэтапные реконструктивные вмешательства с высокими показателями психологической реабилитации и удовлетворительными отдаленными показателями.

Литература

1. Использование биологических и синтетических материалов в реконструктивной хирургии при раке молочной железы (обзор литературы) / А. Д. Зикиряходжаев [и др.] // Опухоли женской репродуктивной системы. – 2018. – Т. 14, № 1. – С. 28-37. – doi: 10.17650/1994-4098-2018-14-1-28-37.

Summary

ANALYSIS OF RECONSTRUCTIVE PLASTIC SURGERY FOR BREAST CANCER IN THE GRODNO UNIVERSITY HOSPITAL

¹*Grek N. I.,* ²*Khorov A. O.*

¹*Grodno University Hospital, Grodno*

²*State Institution «N. N. Alexandrov National Cancer Centre of Belarus»,
Minsk*

grek.hope10@gmail.com

During the last years has been a worldwide trend towards rejuvenating breast cancer, and the evolution of reconstructive breast surgery is proceeding at a rapid pace. The results of the use of reconstructive plastic surgeries in the treatment of patients with a diagnosis of breast cancer have been studied on their own experience.

КАРИОМЕТРИЧЕСКИЕ ПОКАЗАТЕЛИ ИКРОНОЖНОЙ МЫШЦЫ КРЫС ПРИ ЭКСПЕРИМЕНТАЛЬНОМ ТРИХИНЕЛЛЕЗЕ ЛЕГКОЙ СТЕПЕНИ ТЯЖЕСТИ

*Григорович В. В., Бутвиловский А. В., Чернецкий В. А.,
Бутвиловский В. Э.*

*Белорусский государственный медицинский университет, Минск
5892298@gmail.com*

Введение. Как известно, личинки *Trichinella spiralis* (Owen, 1835) локализуются в волокнах поперечнополосатой мышечной ткани, где обеспечиваются благоприятные условия для их развития. Большой интерес при трихинеллезе представляет изучение состояния функциональной активности ядер пораженных мышечных волокон скелетной мускулатуры, о состоянии которой можно судить по изменению площади, объема и форминдекса ядер мышечных волокон [1].

Цель исследования – изучение карิโอметрических показателей мышечных волокон икроножной мышцы крыс в динамике экспериментального трихинеллеза легкой степени тяжести для оценки функциональной активности ядер пораженных мышечных волокон и компенсаторных возможностей организма.

Материал и методы. Эксперимент выполнен на 98-ми белых крысах-самцах линии Wistar средней массой 200 г, разделенных на 2 группы. В 1-й группе (49 крыс) моделировали трихинеллез легкой степени тяжести пероральным введением личинок *T. spiralis* лабораторного штамма 45-60-суточного возраста в дозе 5 личинок на грамм массы тела; 2-й группа (49 крыс) была контролем к животным опытных групп. Животных декапитировали на 7-е сутки (стадия кишечных трихинелл), на 14-е сутки (стадия мигрирующих личинок), на 21-е (стадия ранней инкапсуляции), на 30-е сутки (стадия неинкапсулированных личинок); на 45, 60, 90-е сутки инвазии (стадия инкапсулированных личинок). Контрольные и опытные группы составляли по 7 животных на каждый срок инвазии. Для фиксации материала (участки икроножной мышцы) использовали 10% нейтральный формалин. Материал заливали в парафин. Толщина парафиновых срезов составляла 6-8 мкм. Срезы окрашивали гематоксилин-эозином.

Кариометрию проводили с помощью окуляр-микрометра [2]. Измеряли большой (L) и малый (B) диаметры ядер пораженных мышечных волокон (50 измерений на препарате). Изучали объем ядер (V), площадь ядер (S), показатель элонгации ядер (F) по следующим формулам:

$$V = \frac{\pi LB^2}{6}; \quad S = \frac{\pi LB}{4}; \quad F = \frac{L}{B}.$$

Результаты исследований. Проведенные исследования показали, что в ядрах мышечных волокон икроножной мышцы происходит статистически достоверное увеличение площади, объема на 7-е сутки (табл. 1), некоторое снижение на 14-е сутки, значительное увеличение на 21-е сутки инвазии до 125 и 155,1%, соответственно ($p < 0,001$). Начиная с 30-х суток, изучаемые показатели имеют тенденцию к снижению и нормализуются на 90-е сутки. Показатель элонгации уменьшался с 7 по 30-е сутки до 73,6% ($p < 0,001$), а затем увеличивался и к 90-м суткам достигал 98,7% от контрольных величин.

Таблица 1.– Кариометрические показатели мышечных волокон икроножной мышцы при экспериментальном трихинеллезе легкой степени тяжести

Показатель	Площадь (мкм ²)	Объем (мкм ³)	Форминдекс
Серия опыта	X+m	X+m	X+m
Контроль	24.796+0.242	40.674+0.831	5.442+0.101
Опыт, 7 день	26.330+0.252; p<0.01	46.532+0.906; p<0.001	4.985+0.100; p<0.01
Опыт, 14 день	25.004+0.237; p<0.6	42.702+0.835; p<0.2	5.032+0.073; p<0.01
Опыт, 21 день	30.989+0.231; p<0.001	63.094+0.816; p<0.001	4.346+0.083; p<0.001
Опыт, 30 день	28.401+0.242; p<0.001	57.618+0.710; p<0.001	4.007+0.083; p<0.001
Опыт, 45 день	28.335+0.311; p<0.001	52.175+1.056; p<0.001	4.892+0.067; p<0.001
Опыт, 60 день	27.066+0.235; p<0.001	48.016+0.877; p< 0.001	5.053+0.092; p<0.02
Опыт, 90 день	25.132+0.269; p<0.4	41.878+0.914; p<0.4	5.371+0.728; p>0.9

Следует отметить, что во все сроки экспериментального трихинеллеза легкой степени тяжести существует корреляция между показателем элонгации и размерами ядер мышечных волокон: увеличение площади и объема ядер и уменьшение форминдекса в стадии кишечных трихинелл, мигрирующих личинок, неинкапсулированных личинок; уменьшение площади и объема ядер и увеличение форминдекса в стадию инкапсулированных личинок [3, 4].

Полученные нами результаты несколько отличаются от данных литературы, хотя тенденция первоначального повышения объема и площади ядер, достижения пика и последующего их некоторого снижения, сохраняется. Максимальное увеличение объема нами отмечалось на 21-30-е сутки после заражения, с дальнейшим приближением показателя к контрольным цифрам к 90-м суткам инвазии.

Изменения функциональной активности ядер мышечных волокон икроножной мышцы на 14-30-е сутки инвазии можно объяснить токсико-аллергическим действием личинок *T. spiralis*, а также ферментативной активностью ксеноблаптонов, которые гельминты выделяют в процессе жизнедеятельности. На поздней мышечной стадии (45-90-е сутки) за счет формирования капсул происходит ограничение патологического процесса, что приводит к нормализации функциональной активности ядер пораженных мышечных волокон.

Выводы

1. Трихинеллезная инвазия вызывает изменения кариометрических показателей мышечных волокон икроножных мышц крыс, что свидетельствует об изменении функциональной активности их ядер.
2. Эти изменения связаны с биологическим циклом паразита, и наиболее выражены на 21-30-е сутки после заражения.

Литература

1. Лакин Г. Ф. Биометрия. Учебное пособие для биол. спец. Вузов. 4-е изд. перераб. и доп. – Москва – Высшая школа. - 1990.- 352 с.
2. Рогов М. В. Сравнительная морфология капсул трихинелл (*Trichinella nativa*) от различных видов хищных млекопитающих. / Рогов М. В., Ромашов Б. В. // Мат. докл. науч. конф. «Теория и практика борьбы с паразитарными болезнями». – Москва.- 2003. - Вып. 4. – С. 342-343.

3. Репина, Е. А. Новый метод прижизненной диагностики трихинеллеза у экспериментально зараженных лабораторных животных. / Репина Е. А., Коваленко Ф. П., Кухалева И. В. // Тезисы V Конференции молодых ученых с международным участием «Фундаментальные науки и прогресс клинической медицины» 19-22 мая 2008 г. Вестник РАМН. Приложение. – 2008. – С. 360.

4. Адоева, Е. Я. Специфические реактивные изменения в мышцах при лечении экспериментального трихинеллеза / Е. Я. Адоева, В. И. Пустовойт, С. С. Козлов, А. Ф. Никитин, В. С. Турицин // Инфекции и паразитарные болезни в практике клинициста. Антибактериальная, противовирусная, антипаразитарная иммунотерапия и иммунопрофилактика на догоспитальном и госпитальном этапах. Труды научно-практической конференции с международным участием, (под ред. проф. Малого В. П.) — Харьков, 2010. – С. 65.

Summary

KARYOMETRIC DATA OF THE CALF MUSCLE OF RATS IN EXPERIMENTAL TRICHINOSIS OF MILD SEVERITY.

Grigorovich V. V., Butvilovsky A.V., Chernetsky V. A.,

Butvilovsky V. E.

*Belarusian State Medical University, Minsk
5892298@gmail.com*

The study demonstrated that the area and volume of the nuclei in calf muscle of rats infected with *T. spiralis* increase and reach maximal values by 21-30 days and then decrease to the values characteristic of the control group by the 90th day.

ХАРАКТЕРИСТИКА ЛЕЙКОГРАММЫ ПЕРИТОНЕАЛЬНОЙ ЖИДКОСТИ В ДИНАМИКЕ ЭКСПЕРИМЕНТАЛЬНОГО ПЕРИТОНИТА

Гусаковская Э. В., Патонич И. К., Аль-Рабаи Н. Д.,

Аль-Рабаи Х. Д.

*Гродненский государственный медицинский университет,
г. Гродно, Беларусь
hirurg8700@mail.ru*

Введение. Перитонит продолжает оставаться актуальной проблемой современной медицины по причине сохраняющейся высокой летальности [1]. С целью апробации новых методов

терапии воспалительного процесса в брюшной полости разработано множество экспериментальных моделей. Валидной моделью перитонита является способ с введением лабораторным животным каловой взвеси интраперитонеально [2]. В свою очередь в патогенезе воспалительного процесса в брюшной полости важная роль принадлежит лейкоцитам, осуществляющим защитную функцию при проникновении в организм патогенов. Представляет интерес изучение реакции разных видов лейкоцитов на местном уровне (в брюшной полости) в динамике развития калового перитонита. Для более точной интерпретации результатов при подсчете лейкограммы имеет значение использование мануального метода [3].

Цель исследования. Охарактеризовать разные виды перитонеальных лейкоцитов в динамике развития калового перитонита в эксперименте.

Материал и методы. Исследование проведено на 36 белых беспородных крысах-самцах массой 230-240 г. Животные были разделены на 2 группы, которым внутрибрюшинно (из расчета 0,5 мл/100 г массы тела) вводились: 1) 0,9% раствор натрия хлорида, n=6 (контроль); 2) 15% каловая взвесь, n=30 (экспериментальный перитонит). Все животные 2-й группы разделены на равные серии в соответствии с временем взятия перитонеальной жидкости: спустя 2 ч, 12 ч, 1 сутки, 3-е суток, 5 суток после моделирования перитонита. Определение лейкоцитарной формулы перитонеальной жидкости произведено общепринятыми методами [4]. Полученные данные обработаны методами непараметрической статистики с помощью программы Statistica 10.0 для Windows (StatSoft, Inc., США). Различия между показателями контрольной и опытной групп считали достоверными при $p < 0,05$ (Mann-WhitneyU-test).

Результаты исследований. В перитонеальной жидкости животных контрольной группы преобладали лимфоциты – 76,5% (69,5; 83,5), отсутствовали признаки пельгеризации либо гиперсегментации ядер нейтрофилов, не обнаружены юные лейкоциты и мезотелиальные клетки. Спустя 2 часа перитонита соотношение между нейтрофилами и лимфоцитами выравнивалось либо несколько смещалось в сторону нейтрофилов, наблюдалось увеличение содержания палочкоядерных нейтрофилов (в 3,7 раза

по сравнению с контрольными значениями, $p=0,002$), отсутствовали либо обнаруживались единичные метамиелоциты – 2% (0; 4,0). Псевдо-пельгеровские клетки отсутствовали либо были единичными – 0,5% (0; 1). Эозинофилы не обнаружены либо единичные – 0,5% (0; 1,0). При перитоните длительностью 12 ч отмечено появление миелоцитов – 2% (1,0; 3,0), увеличение по сравнению с двухчасовым перитонитом количества метамиелоцитов (в 2,5 раза, $p=0,004$) и палочкоядерных нейтрофилов (в 2,3 раза, $p=0,004$). Визуализированы единичные нейтрофилы с токсогенной зернистостью, гиперсегментацией и пикнозом ядер. Обнаружены единичные псевдо-пельгеровские клетки – 0,5% (0; 1). Через 1 сутки после воспроизведения перитонита сохранялось увеличение количества метамиелоцитов и палочкоядерных нейтрофилов. Наряду с гиперсегментированными нейтрофилами – 16% (9,5; 22,5), обнаружено увеличение содержания псевдо-пельгеровских клеток (в 5 раз по сравнению с двухчасовым перитонитом, $p=0,015$), а также множество сегментоядерных нейтрофилов с токсогенной зернистостью – 53,6% (41,6; 65,6) от общего их числа. Отмечен прирост количества макрофагов по сравнению с предыдущими сроками взятия перитонеальной жидкости (в 1,5 раза, $p=0,011$). Большинство макрофагов содержат крупные вакуоли в цитоплазме, что может свидетельствовать о фагоцитозе. Обнаружены единичные мезотелиальные клетки. Спустя 3 суток перитонита изменения практически не отличались от таковых при однодневном перитоните. Однако увеличение количества макрофагов более выражено к третьим суткам перитонита (в 1,3 раза по сравнению с однодневным перитонитом, $p=0,005$). При перитоните длительностью 5 суток ядерный сдвиг лейкограммы влево сопровождался увеличением количества гиперсегментированных нейтрофилов с токсогенной зернистостью – 55,1% (40,1; 70,1) от общего числа сегментоядерных нейтрофилов. Обнаружены «гнойные тельца» – 4,5% (2,5; 6,5). Во все сроки экспериментального перитонита не отмечено увеличения количества эозинофилов, наблюдалось незначительное повышение содержания тучных клеток в перитонеальной жидкости – 2% (1; 3,0).

Выводы. Определенная путем мануального подсчета лейкоцитарная формула перитонеальной жидкости, взятой у животных в разные сроки экспериментального калового перитонита, позволяет проследить миграцию разных видов лейкоцитов в брюшную полость в динамике воспалительного процесса. Появление псевдо-пельгеровских лейкоцитов, нейтрофилов с токсогенной зернистостью либо с гиперсегментацией ядер свидетельствует о тяжести инфекционного процесса и подтверждает актуальность проведенного исследования. Миграция нейтрофилов из сосудистого русла в брюшную полость в первые часы перитонита, впоследствии дополненная привлечением в очаг воспаления макрофагов, отражает реализацию защитной функции фагоцитов. Отсутствие прироста эозинофилов на протяжении всех сроков перитонита может свидетельствовать о тяжести воспаления и неблагоприятном прогнозе, что также подчеркивает актуальность изучения перитонита, моделируемого путем введения каловой взвеси интраперитонеально. Определение лейкоцитарной формулы перитонеальной жидкости позволяет охарактеризовать воспаление на местном уровне, а полученные данные могут быть использованы для сравнения динамики перитонеальных лейкоцитов при проведении терапии перитонита в эксперименте.

Литература

1. Гусаковская, Э. В. Альтернативность выбора адекватного способа моделирования перитонита в эксперименте / Э. В. Гусаковская, Н. Е. Максимович // Нов. мед.-биол. наук. – 2018. – Т. 17, № 2. – С. 73–78.
2. Лазаренко, В. А. Экспериментальная модель распространенного калового перитонита / В. А. Лазаренко [и др.] // Курск. науч.-практ. вестн. «Человек и его здоровье». – 2008. – № 4. – С. 128–132.
3. Thelml, H. Color atlas of hematology / H. Thelml. – Stuttgart-New York, 2004. – 200 p.
4. Камышников, В. С. Методы клинических лабораторных исследований / под ред. проф. В. С. Камышникова. – М. : МЕДпресс-информ, 2016. – 736 с.

Summary

**DESCRIPTION OF THE PERITONEAL LEUKOCYTES
DIFFERENTIAL IN EXPERIMENTAL PERITONITIS
DYNAMICS**

Husakouskaya E.V., Patonich I.K., Alrabea N.D., Alrabea H.D.

Grodno state medical university, Grodno

hirurg8700@mail.ru

Investigation of peritoneal leukocytes differential in experimental peritonitis dynamics is necessary for its pathogenesis comprehension, especially when the cell morphology is specified using a microscope («ad oculus»). The research identified the pronounced changes in peritoneal white blood cells differential in experimental fecal peritonitis dynamics such as neutrophilic leukocytosis with left shift, pseudo-Pelger cells formation, appearance of neutrophils with toxic granulation and nuclear hypersegmentation, monocytosis, which identify severity of infectious process and confirm the relevance of the research.

**ПОЛИМОРФИЗМЫ ГЕНОВ ФОЛАТНОГО ОБМЕНА И
УРОВЕНЬ ГОМОЦИСТЕИНА У ПАЦИЕНТОВ
С ИШЕМИЧЕСКОЙ БОЛЕЗНЬЮ СЕРДЦА И
САХАРНЫМ ДИАБЕТОМ 2-ГО ТИПА**

Давыдчик Э. В., Стенуро Т. Л., Дорошенко Е. М.

Гродненский государственный медицинский университет, г. Гродно,

Беларусь

davydchike@mail.ru

Введение. Гипергомоцистеинемия (ГГЦ) – один из значимых, самостоятельных факторов риска раннего развития и быстрого прогрессирования атеросклероза. ГГЦ за счет окислительного стресса способствует развитию инсулинорезистентности и дисфункции β -клеток, значительно ускоряя переход инсулинорезистентности в сахарный диабет (СД) 2-го типа. Гены, участвующие в метаболизме гомоцистеина (Hcy), связаны с разными молекулярными и клеточными процессами: синтезом ДНК, метилированием, метаболизмом аминокислот и пролиферацией клеток [1].

Цель исследования. Изучить уровень Hcy, распределение частот генотипов и аллелей полиморфизмов C677T, A1298C гена метилентетрагидрофолатредуктазы (MTHFR), A66G гена метионинсинтазы-редуктазы (MTRR), A2756G гена метионинсинтазы (MTR) у пациентов с хронической ишемической болезнью сердца (ИБС) и СД 2-го типа.

Материал и методы. Обследованы 135 пациентов. Основную группу (группа 1) составили 65 пациентов с хронической ИБС и СД 2-го типа, средний возраст 59 (55; 61) лет. Группа сравнения (группа 2) представлена пациентами с хронической ИБС (n=70), средний возраст 59 (53; 64) лет.

Определение Hcy проводили с помощью обращеннофазной ВЭЖХ с предколоночной дериватизацией с о-фталевым альдегидом и 3-меркаптопропионовой кислотой и детектированием по флуоресценции [2]. Определение полиморфизмов C677T, A1298C гена MTHFR, A66G гена MTRR, A2756G гена MTR осуществляли с помощью метода полимеразной цепной реакции с детекцией результатов в режиме реального времени с применением набора реагентов производства «Литех», Россия.

Для статистического анализа данных использовались программы STATISTICA 10.0 и Microsoft Excel. Различия считались достоверными при значении $p < 0,05$.

Результаты исследований. Медиана уровня Hcy у пациентов группы 1 составила 12,09 (9,19; 17,13) мкмоль/л, в группе 2 – 10,55 (7,88; 15,58) мкмоль/л ($p = 0,04$).

Распределение частот генотипов соответствовало равновесию Харди-Вайнберга.

В таблице 1 представлены результаты генотипирования исследуемых пациентов по полиморфным вариантам изучаемых генов.

Таблица 1. – Распределение генотипов и аллелей полиморфных вариантов изучаемых генов

Полиморфизм, генотип	Группа 1 (n=65), абс (%)	Группа 2 (n=70), абс (%)	p
MTHFR C677T			
CC	23 (35,4)	30 (42,9)	нд
CT	27 (41,5)	26 (37,1)	нд
TT	15 (23,1)	14 (20)	нд
Аллель С	73 (56,2)	86 (61,4)	нд
Аллель Т	57 (43,8)	54 (38,6)	нд
MTHFR A1298C			
AA	26 (40)	34 (48,6)	нд
AC	25 (38,5)	26 (37,1)	нд
CC	14 (21,5)	10 (14,3)	нд
Аллель А	77 (59,2)	94 (67,1)	нд
Аллель С	53 (40,8)	46 (32,9)	нд
MTRR A66G			
AA	14 (21,5)	15 (21,4)	нд
AG	30 (46,2)	39 (55,7)	нд
GG	21 (32,3)	16 (22,9)	нд
Аллель А	58 (44,6)	69 (49,3)	нд
Аллель G	72 (55,4)	71 (50,7)	нд
MTR A2756G			
AA	38 (58,5)	46 (65,7)	нд
AG	22 (33,8)	21 (30)	нд
GG	5 (7,7)	3 (4,3)	нд
Аллель А	98 (75,4)	113 (80,7)	нд
Аллель G	32 (24,6)	27 (19,3)	нд

Примечание: нд – недостоверные межгрупповые различия

В таблице 2 представлены результаты уровня Нсу у исследуемых пациентов в зависимости от полиморфизмов изучаемых генов.

Таблица 2. – Уровень Нсу в зависимости от генотипов полиморфных вариантов изучаемых генов

Полиморфизм, генотип	Группа 1 (n=65)	Группа 2 (n=70)	p
MTHFR C677T			
CC	9,06 (7,25;10,99)	9,71 (7,20;11,97)	нд
CT	15,54 (11,42;17,66)	12,57 (8,08;15,58)	p=0,04
TT	18,22(12,09;19,92)	10,88 (9,08;17,34)	p=0,03
Аллель С	11,39 (8,97;15,90)	10,43 (7,55;14,61)	нд
Аллель Т	16,19 (11,94;18,31)	11,70 (8,76;16,83)	p=0,004
MTHFR A1298C			
AA	14,07 (11,12;17,66)	10,69 (8,63;15,80)	p=0,03
AC	11,42 (7,96;14,89)	10,21 (7,13;15,58)	нд
CC	14,0 (7,81;20,99)	10,45 (7,20;13,82)	нд
Аллель А	12,09 (9,38;16,27)	10,54 (7,91;15,69)	нд
Аллель С	11,42 (7,81;17,13)	10,21 (7,16;14,82)	нд
MTRR A66G			
AA	13,11 (9,34;18,22)	11,30 (5,92;14,06)	нд
AG	13,07 (8,97;17,59)	10,64 (8,90;16,68)	нд
GG	11,37 (9,19;15,54)	9,45 (7,34;14,89)	нд
АллельА	13,11 (9,25;17,62)	10,97 (8,08;15,80)	нд
Аллель G	12,08 (9,06;17,11)	10,45 (8,08;15,80)	нд
MTR A2756G			
AA	14,18 (11,11;17,59)	11,0 (8,63;15,58)	p=0,01
AG	11,28 (7,49;16,64)	9,82 (7,13;14,06)	нд
GG	9,34 (9,06;10,92)	10,74 (9,81;20,4)	нд
АллельА	12,28 (9,28;17,36)	10,45 (7,63;15,58)	p=0,02
Аллель G	10,92 (7,81;16,64)	10,14 (7,16;15,24)	нд

Примечание: нд – недостоверные межгрупповые различия

Выводы:

1. У пациентов с наличием хронической ИБС и СД 2-го типа уровень Нсу статистически значимо выше (12,09 мкмоль/л) по сравнению с пациентами группы сравнения (10,55 мкмоль/л).

2. Не получено достоверных различий по распределению генотипов и аллелей полиморфизмов С677Т, А1298С гена МТНFR, А66G гена МTRR, А2756G гена МTR между группами пациентов.

3. Достоверно выше уровень Hcy у пациентов группы 1 с наличием генотипов СТ, ТТ, аллели Т полиморфизма С677Т, генотипа АА полиморфизма А1298С гена МТНFR, генотипа АА, аллели А полиморфизма А2756G гена МTR по сравнению с пациентами группы сравнения.

Литература

1. Давыдчик, Э. В. Взаимосвязь гипергомоцистеинемии с ишемической болезнью сердца и сахарным диабетом / Э. В. Давыдчик, В. А. Снежицкий, Л. В. Никонова // Журнал Гродненского государственного медицинского университета. – 2015. – № 1. – С. 9–13.

2. Дорошенко, Е. М. Структура пула свободных аминокислот и их производных плазмы крови у пациентов с ишемической болезнью сердца и проявлениями хронической сердечной недостаточности / Е. М. Дорошенко, В. А. Снежицкий, В. В. Лелевич // Журнал Гродненского государственного медицинского университета. – 2017. – Т. 15, № 5. – С. 551–556.

Summary

POLYMORPHISMS OF GENES OF FOLATE EXCHANGE AND THE LEVEL OF HOMOCYSTEINE IN PATIENTS WITH CORONARY HEART DISEASE AND DIABETES MELLITUS TYPE 2

Davydchik E. V., Stepuro T. L., Doroshenko E. M.

*Grodno State Medical University, Grodno
davydchike@mail.ru*

The aim of the study is to investigate the level of Hcy, distribution of frequencies of alleles and genotypes of polymorphic options С677Т, А1298С of gene МТНFR, А66G of gene МТRR, А2756G of gene МTR in patients with chronic coronary heart disease (CHD) in combination with diabetes mellitus (DM) type 2.

РЕМОДЕЛИРОВАНИЕ МИОКАРДА ЛЕВОГО ЖЕЛУДОЧКА У ПАЦИЕНТОВ С ФИБРИЛЛЯЦИЕЙ ПРЕДСЕРДИЙ И СЕРДЕЧНОЙ НЕДОСТАТОЧНОСТЬЮ С СОХРАНЕННОЙ ФРАКЦИЕЙ ВЫБРОСА: РОЛЬ ПОЛИМОРФИЗМА LYS198ASN ГЕНА ЭНДОТЕЛИНА-1

Дешко М. С., Горчакова О. В., Давыдчик Э. В., Снежицкий В. А.

УО «Гродненский государственный медицинский университет»,

г. Гродно, Беларусь

mikhail.dzeshka@grsmu.by

Введение. Фибрилляция предсердий (ФП) часто сопровождается развитием и прогрессированием хронической сердечной недостаточности (ХСН). Среди пациентов с данным нарушением ритма и ХСН значительную часть составляют лица с сохраненной фракцией выброса левого желудочка (ФВ ЛЖ). Несмотря на нормальную сократительную функцию, у таких пациентов имеет место диастолическая дисфункция миокарда ЛЖ, связанная с гипертрофией кардиомиоцитов, избыточным накоплением коллагена в интерстиции миокарда, нарушением релаксации ЛЖ и повышением давления наполнения. Дисфункция эндотелия на уровне микрососудистого русла миокарда рассматривается как один из главных триггеров вышеперечисленных изменений [1, 3]. Эндотелин-1 является сильным вазоконстриктором и принимает участие в регуляции артериального давления, а наличие у пациента того или иного полиморфного варианта гена эндотелина-1 (EDN1, расположен на хромосоме 6p24.1) связано с риском развития артериальной гипертензии (АГ) и сердечно-сосудистых осложнений. Среди известных однонуклеотидных полиморфизмов гена EDN1 в ряде исследований продемонстрирована роль полиморфизма Lys198Asn или K198N (rs5370). Более распространенный аллель G кодирует лизин (Lys или K), а более редкий аллель T – аспарагин (Asn, N) [2, 4].

Цель исследования. Оценить выраженность фиброза миокарда ЛЖ у пациентов с ФП и ХСН с сохраненной ФВ в зависимости от генотипов полиморфного маркера Lys198Asn гена EDN1.

Материал и методы. Обследованы 274 пациента с неклапанной ФП и ХСН с сохраненной ФВ, возраст 62 (55-68) года, 101 (36,9%) женщина. Пароксизмальная форма ФП диагностирована у 150 (55%), персистирующая – у 65 (24%), постоянная – у 59 (21%) пациентов.

Пациенты получали лечение согласно рекомендациям по диагностике и лечению ФП, включая пероральную антикоагулянтную, антиаритмическую, антигипертензивную и антиангинальную терапию. Пациенты с клапанной ФП, приобретенными клапанными пороками с выраженными нарушениями гемодинамики, недавними (до 6 месяцев) тромбоемболическими или геморрагическими осложнениями, нарушениями функции почек и печени, злокачественными новообразованиями, системными воспалительными заболеваниями исключались из исследования.

Выраженность фиброза миокарда ЛЖ оценивали посредством акустической денситометрии. Пациентам выполняли эхокардиографическое исследование. Кинопетли, записанные в парастернальной проекции по длинной оси с частотой от 80 до 120 Гц, включали от 5 до 10 сердечных циклов. С помощью модуля анализа областей интереса измеряли обратное рассеяние (IB) в средней части миокарда межжелудочковой перегородки и задней стенки ЛЖ в нескольких зонах размером 5×5 мм. Калиброванное IB (сIB) рассчитывали как разницу IB, полученного для перикарда, представленного преимущественно соединительной тканью, и усредненного значения для миокарда ЛЖ. Таким образом, меньшая величина сIB свидетельствовала о более выраженном фиброзе миокарда ЛЖ.

Выделяли геномную ДНК из лейкоцитов крови с последующим анализом полиморфизма Lys198Asn гена EDN1 посредством полимеразной цепной реакции с детекцией результатов в режиме реального времени.

Данные представлены в виде медианы, нижнего и верхнего квартилей, абсолютной и относительной частот. Сравнение групп выполняли посредством критериев Краскела-Уоллиса и Манна-Уитни с поправкой Бонферрони, а также теста χ^2 Пирсона.

Результаты исследований. По результатам генотипирования пациентов с пароксизмальной ФП по полиморфизму Lys198Asn

гена EDN1 получены следующие результаты: генотип GG выявлен у 79 (52,3%) пациентов, генотип TT – у 10 (6,7%), гетерозигота GT – у 61 (40,7%). У пациентов с персистирующей ФП гомозигота GG полиморфизма Lys198Asn гена EDN1 выявлена у 40 (61,5%) пациентов, гетерозигота GT – у 22 (33,9%), гомозигота TT – у 3 (4,6%). У пациентов с постоянной формой аритмии распределение генотипов GG, GT и TT составило 25 (42,4%), 33 (55,9%) и 1 (1,7%), соответственно. Пациенты с разными формами ФП не различались между собой по частоте генотипов полиморфного маркера Lys198Asn гена EDN1.

У пациентов с генотипом GG получили величину сIB 26,1 (23,6-28,4) дБ, с генотипом GT – 25,2 (22,1-27,8) дБ, а в случае генотипа TT – 22,5 (19,9-26,0) дБ ($p < 0,05$). Различия по выраженности фиброза миокарда ЛЖ между группами, выделенными на основе полиморфизма Lys198Asn гена EDN1, были обусловлены более низким значением сIB у пациентов с вариантом TT по сравнению с пациентами с вариантом GG ($p = 0,013$). Кроме того, имел место тренд и относительно пациентов с вариантом генотипа GT ($p = 0,05$). Величина сIB у пациентами GT и GG не различалась.

Выводы. Величина сIB у пациентов с ФП и ХСН с сохраненной ФВ различается у пациентов с разными генотипами полиморфного маркера Lys198Asn гена EDN1 с наиболее выраженным фиброзом миокарда ЛЖ, измеренным при эхокардиографии, у пациентов с генотипом TT.

Исследование выполнено при финансовой поддержке гранта Белорусского республиканского фонда фундаментальных исследований (договор № М17-177 от 18 апреля 2017 г.).

Литература

1. Связь структурного ремоделирования левого предсердия и желудочка с уровнем биомаркеров фиброза миокарда у пациентов с фибрилляцией предсердий / М. С. Дешко [и др.] // Сборник тезисов XIII Международного Славянского конгресса по электростимуляции и клинической электрофизиологии сердца «Кардиостим», С.-Петербург, 15-17 февраля 2018 г. / Вестник аритмологии. – 2018. – Прил. А. – С. 26.
2. Association of endothelin-1 gene variant with hypertension / J.J. Jin [et al.] // Hypertension. – 2003. – Vol. 41. - P. 163–167.

3. Cardiac fibrosis in patients with atrial fibrillation: mechanisms and clinical implications / M.S. Dzeshka [et al.] // J. Am. Coll. Cardiol. - 2015. - Vol. 66, № 8. - 2015. - P. 943-959.
4. Cardiovascular endothelins: essential regulators of cardiovascular homeostasis / F. Brunner [et al.] // Pharmacol. Ther. – 2006. – Vol. 111. – P. 508–531.

Summary

**REMODELING OF THE LEFT VENTRICULAR
MYOCARDIUM IN PATIENTS WITH ATRIAL FIBRILLATION
AND HEART FAILURE WITH PRESERVED EJECTION
FRACTION: ROLE OF ENDOTHELIN-1 GENE
POLYMORPHISM**

*Dzeshka M. S., Harchakova V. U., Davydchik E. V.,
Snezhitskiy V. A.*

*Grodno State Medical University, Grodno
mikhail.dzeshka@grsmu.by*

Atrial fibrillation (AF) is commonly accompanied by heart failure (HF) with preserved left ventricular (LV) ejection fraction (HFpEF). LV diastolic dysfunction is the hallmark of HFpEF, and microvascular endothelial dysfunction is established trigger for LV remodeling. Endothelin-1 is a potent vasoconstrictor involved in physiological and pathological signaling in endothelium. Endothelin-1 (EDN1) gene polymorphism was shown to be associated with hypertension development and risk of adverse cardiovascular events. We aimed to assess differences in degree of LV fibrosis measured via acoustic densitometry (calibrated integrated backscatter [cIB]) in AF patients with HFpEF depending on Lys198Asn single nucleotide polymorphism of EDN1 gene. The lowest cIB, which corresponds to higher LV fibrosis content, was found in patients with TT genotype (22.5 [19.9-26.0] dB), compared to those with GG genotype (26.1 [23.6-28.4] dB, $p < 0.013$), and non-significant trend was observed when compared to individuals with GT genotype (25.2 [22.1-27.8] dB, $p = 0.05$).

ОСТРЫЙ КАЛЬКУЛЕЗНЫЙ ХОЛЕЦИСТИТ: СОВРЕМЕННЫЕ ВОЗМОЖНОСТИ ХИРУРГИЧЕСКОГО ЛЕЧЕНИЯ

Дешук А. Н., Жданович Р. Г., Козлова В. В.

*УО «Гродненский государственный медицинский университет», г.
Гродно, Беларусь
dziashuk@mail.ru*

Введение. Актуальность проблемы как консервативного, так и хирургического лечения острого калькулезного холецистита, несмотря на достигнутые успешные результаты в лечении данной патологии, не теряет своего значения и на сегодняшний день в Республике Беларусь [2]. Прогресс в пищевой промышленности, отсутствие, как правило, у большинства граждан понятия о рациональности питания усугубляют проблему. Остается не полностью решенным вопрос о сроках выполнения «золотого стандарта» (лапароскопической холецистэктомии): оперировать пациента при камненосительстве без клинической картины приступов холецистита или рекомендовать воздержаться от нее до их появления [1, 2]. Однако остается неизвестным то, в каком возрасте появятся эти жалобы. Так, на сегодняшний день в Республике Беларусь отмечается тенденция к росту пациентов пожилого и старческого возраста (3% и более от всего населения страны) [2]. По данным зарубежной и отечественной литературы, заболеваемость острым калькулезным холециститом резко возрастает с возрастом: удельный вес пациентов пожилого и старческого возраста достигает уровня 60% от всех госпитализированных лиц по поводу острого холецистита [1, 3]. В гериатрии значимость проблемы, помимо имеющегося роста заболеваемости, обусловлена и высокой летальностью – от 2 до 50%, особенно в старческом возрасте [1, 2, 3]. Часто при поступлении таких пациентов большинство хирургов ограничиваются консервативными методами лечения, но как поступать в случаях, когда это лечение неэффективно? Тактика в отношении пациентов с острым калькулезным холециститом в мировых хирургических школах различается: одни хирурги придерживаются строго радикальной хирургической, другие –

выжидательно-консервативной, третьи занимают нейтральную позицию, что является, на наш взгляд, наиболее приемлемым.

Цель исследования. Анализ результатов лечения острого калькулезного холецистита в клинике общей хирургии УО «Гродненский государственный медицинский университет», расположенной на базе УЗ «Городская клиническая больница № 4 г. Гродно» с 2014 по 2018 г. включительно.

Материал и методы. В исследование были включены 2178 пациентов с желчнокаменной болезнью (ЖКБ), находившихся в клинике общей хирургии УО «ГрГМУ» на базе УЗ «Городская клиническая больница № 4 г. Гродно» в период с 2014 по 2018 г. включительно, у 467 (21,4%) из них имел место острый воспалительный процесс в желчном пузыре. Из 467 пациентов 314 (67,2%) были старше 60 лет, что усложняло задачу лечения, так как у большинства из них была сопутствующая патология. Диагноз острого холецистита выставлялся на основании анамнеза жизни, заболевания, клинической картины, инструментальных и лабораторных методов исследования. Женщин было 236 (75,2%), мужчин – 78 (24,8%).

Результаты исследований. В нашей клинике хирурги придерживаются выжидательной консервативной тактики в отношении пациентов с острым калькулезным холециститом (при отсутствии абсолютных показаний к радикальному экстренному хирургическому вмешательству). У 188 (40,2%) из 467 пациентов приступ острого холецистита удалось купировать консервативно: 56 (11,2%) из них были оперированы в течение первых 24-48 часов после поступления в клинику, остальные 132 (28,3%) выписаны под наблюдение хирурга поликлиники. Спустя 1,5-2 месяца 73 (55,3%) пациента из числа выписанных поступили для планового оперативного лечения (ЛХЭ). Из 1622 пациентов с ЖКБ у 15 (0,9%) установлен диагноз острого калькулезного холецистита непосредственно во время выполнения операции, хотя в предоперационном периоде симптомов, указывающих на острый процесс в желчном пузыре, не было. Этот факт подтверждает то, что жалобы пациента, данные лабораторных и инструментальных методов исследования не всегда соответствуют действительности. За последние 5 лет в клинике прооперированы 208 (12,8%) пациентов с острым калькулезным холециститом, у 194 (93,2%) из

них операция выполнена лапароскопически. У 3 (1,4%) пациентов пришлось произвести конверсию вследствие технических сложностей при удалении желчного пузыря (наличие воспалительного плотного инфильтрата под печенью); 14 (6,8%) пациентам из 208 выполнена открытая холецистэктомия: имело место в 6 (2,9%) случаях развитие острого деструктивного процесса в желчном пузыре с местным неограниченным желчным перитонитом. У 2 пациентов устанавливались тампоны под печень вследствие отсутствия верификации источника желчеистечения.

При неэффективности купирования острого холецистита в течение первых 24 часов после поступления в клинику (пальпируемый желчный пузырь, увеличение желчного пузыря в размерах (10 см и более) при динамическом УЗИ, появление перивезикальных осложнений, рецидив заболевания после кратковременного затихания воспалительного процесса), особенно в пожилом и старческом возрасте, при наличии выраженной сопутствующей патологии проводилась чрескожная чреспеченочная санационно-декомпрессионная пункция желчного пузыря под УЗ-наведением. За последние 5 лет нами выполнено 67 (14,3%) таких операций. 18 (26,9%) пациентов из 67 поступили в клинику через 1,5-2 месяца после пункции для выполнения ЛХЭ в плановом порядке, в «холодном периоде»: у 3 из них оставались еще явления острого воспаления в стенке желчного пузыря, у остальных же 15 желчный пузырь не был изменен. У 4 (0,9%) из 467 пациентов произведено наложение чрескожной чреспеченочной холецистостомы под УЗ-наведением из-за наличия гнойного процесса (эмпиемы) в полости желчного пузыря. Смертельных исходов от острого калькулезного холецистита не было.

Выводы. «Золотой стандарт» лапароскопической холецистэктомии остается основным и неоспоримым при лечении пациентов с острым калькулезным холесцититом. Проведение ЛХЭ после 48 часов от начала развития приступа острого процесса в желчном пузыре значительно технически усложняется, а в некоторых случаях является невозможным из-за массивного воспалительного инфильтрата под печенью. Альтернативным методом купирования приступа острого холецистита в случаях, когда длительность заболевания более 48 часов, а также у

пациентов в возрастной группе старше 60 лет с высокой степенью операционно-анестезиологического риска при наличии сопутствующей патологии в стадии декомпенсации является чрескожно-чреспеченочная санационно-декомпрессионная пункция желчного пузыря под УЗ-наведением.

Литература

1. Гарипов, Р. М. Острый холецистит у больных пожилого и старческого возраста. Алгоритм лечения. Выбор способа операции у больных острым холециститом / Р. М. Гарипов, Ю. В. Богдасаров, Т. В. Мусин // Эндоскопическая хирургия. – 2002. – № 2. – С. 28–29.
2. Завада, Н. В. Неотложная хирургия органов брюшной полости: стандарты диагностики и лечения / Н. В. Завада. – Минск : БелМАПО, 2005. – 117 с.
3. Dabus, G. Percutaneous cholecystostomy: a nonsurgical therapeutic option for acute cholecystitis in high-risk and critically ill patients / G. Dabus, S. Dertkigil, J. Baracat // Sao. Paulo. Med. J. – 2003. – № 6. – P. 260–262.

Summary

ACUTE CALCULOUS CHOLECYSTITIS: MODERN OPPORTUNITIES OF SURGICAL TREATMENT

Dziashuk A. N., Zhdanovich R. G., Kozlova V. V.

Grodno State Medical University, Grodno

dziashuk@mail.ru

Analysis of the results of the acute calculous cholecystitis treatment in the Clinic of General Surgery in Grodno State Medical University from 2014 to 2018. The research is included 2178 patients, 467 (21,4%) of them had an acute inflammatory process in the gallbladder. 208 (12,8%) patients with acute calculous cholecystitis were operated, in 194 (93,2%) - laparoscopically. Transhepatic cholecystostomy under ultrasound guidance was performed in 4 (0,9%) of 467 patients and puncture of gallbladder in 67 (14,3%) patients.

ВОЗМОЖНЫЕ ПУТИ ПРИМЕНЕНИЯ ГОСУДАРСТВЕННО-ЧАСТНОГО ПАРТНЕРСТВА В ФИНАНСИРОВАНИИ ЗДРАВООХРАНЕНИЯ РЕСПУБЛИКИ БЕЛАРУСЬ

Довнар Р. И.

*УО «Гродненский государственный медицинский университет»,
г. Гродно, Беларусь
dr_ruslan@mail.ru*

Введение. В Республике Беларусь в настоящее время сохранено бюджетное финансирование сферы здравоохранения. При этом если на одного жителя в год в России выделяется 486 долл. США, в США – 5 401, во Франции – 3 374, в Канаде – 3 326, в Германии – 3 287, в Великобритании – 2 724, в Польше – 243 [1], то в Республике Беларусь в 2017 г. было выделено из бюджета 435,94 белорусских рублей [2] (223 доллара США на начало года). Безусловно, для оказания медицинской помощи на уровне ведущих мировых держав необходимо стремиться к увеличению финансирования данной сферы. Один из путей решения вопроса – привлечение финансов частных лиц.

В настоящее время в Республике Беларусь наряду с государственной существует и частная медицина. К положительным сторонам последней следует отнести рост занятости населения, налоговое пополнение бюджетов, привлечение в отрасль дополнительных финансовых ресурсов, экономия средств общественного здравоохранения вследствие того, что высокодоходные группы населения пользуются платными услугами, а также появление возможности для работников некоммерческих учреждений здравоохранения получать дополнительный заработок за счет оказания платных услуг или работы по совместительству в коммерческих медицинских структурах, что в условиях низкой заработной платы медицинских работников является социально значимым. Однако частная медицина имеет и существенные недостатки, основной из которых – исчезновение принципа общедоступности соответствующего уровня медицинской помощи при отсутствии у гражданина необходимой суммы денежных средств. Прежде всего это отрицательно сказывается на малоимущих и бедных слоях

населения, пенсионерах, что может вызывать социальные потрясения в обществе.

Согласно мировым исследованиям, бюджетная сфера здравоохранения характеризуется, как правило, низкой экономической эффективностью, определенной степенью ограниченности общественных ресурсов и рядом других. Все это предполагает поиск не только путей привлечения в отрасль частных инвестиций, возможных форм взаимоотношений бюджетных медицинских учреждений и частных организаций, но и использование опыта работы коммерческих структур для улучшения деятельности бюджетных организаций здравоохранения. Чем больше развивается негосударственный сектор здравоохранения и увеличивается объем инвестиций в частное здравоохранение, тем более актуальной становится проблема взаимодействия государства и частных медицинских организаций. Одним из перспективных направлений финансирования медицины Республики Беларусь является применение государственно-частного партнерства.

Цель исследования. На основе анализа литературных данных предложить наиболее оптимальные способы использования механизмов государственно-частного партнерства в сфере здравоохранения в Республике Беларусь на современном этапе.

Материал и методы. В процессе выполнения работы были проанализированы русско- и англоязычные источники по вариантам применения механизмов государственно-частного партнерства в здравоохранении разных государств и предложены наиболее перспективные для Республики Беларусь.

Результаты исследований. Анализ литературных данных показал, что в настоящее время выделяют несколько базовых направлений государственно-частного партнерства, принятых во всем мире. К ним относятся следующие: аутсорсинг отдельных видов услуг, строительство новых медицинских объектов и их оснащение, проектирование, строительство и управление недвижимостью в сфере здравоохранения. При этом возможны варианты полного управления данного объекта частным партнером, а при необходимости и частичного управления.

К другому направлению государственно-частного партнерства в медицине можно отнести повышение квалификации

медицинского персонала, в том числе с использованием мирового опыта. Частный инвестор мог бы значительно расширить взаимодействие с зарубежными клиниками, повысить уровень организации зарубежных стажировок молодых специалистов в Германии, Швейцарии, США и других странах-лидерах в сфере здравоохранения, способствовать приглашению зарубежных специалистов в Беларусь.

Третье направление включает развитие современной инфраструктуры оказания медицинской помощи, участие бизнеса в реализации государственных целевых программ путем проектирования и строительства объектов. Частные инвесторы также могли бы участвовать, к примеру, в создании системы банков крови, в строительстве диализных центров, центров компьютерной томографии или МРТ-исследований, службы скорой медицинской помощи вблизи дорог для оказания экстренной специализированной помощи при дорожном травматизме, а также ряде других объектов. У представителей частного бизнеса также имеются наработки в области компьютерных технологий, которые позволили бы осуществить переход к инновационным информационным технологиям обеспечения лечебно-диагностического процесса.

В целом следует резюмировать, что к плюсам государственно-частного партнерства в сфере здравоохранения можно отнести появление экономически заинтересованных партнеров, дополнительного источника инвестиций, высокая мотивация к оптимизации расходов и возможность технологического прорыва в социальной сфере. Существуют, однако, и минусы – прежде всего это необходимость изменения нынешних институтов управления в области здравоохранения, а также разработки специальных механизмов для сохранения контроля за ситуацией.

Выводы:

1. Государственно-частное партнерство является перспективным направлением финансирования здравоохранения Республики Беларусь.

2. К наиболее актуальным вариантам применения данного метода финансирования медицины нашей страны следует отнести аутсорсинг отдельных видов услуг, строительство новых

медицинских объектов и их оснащение, проектирование, строительство и управление недвижимостью в сфере здравоохранения.

3. Применение механизма государственно-частного партнерства требует прежде всего корректировки имеющихся законодательных актов, а также содействия заинтересованных государственных органов в его реализации.

Литература

1. Черепов, В. Государственно-частное партнерство в области здравоохранения / В. Черепов // Экономическая политика. – 2008. – № 5. – С. 46-49.
2. Здравоохранение в Республике Беларусь: офиц. стат. сб. за 2017 г. – Минск: ГУ РНМБ, 2018. – 277 с.

Summary

POSSIBLE WAYS OF APPLYING A PUBLIC-PRIVATE PARTNERSHIP IN PUBLIC HEALTH FINANCING OF THE REPUBLIC OF BELARUS

Dovnar R. I.

*Grodno State Medical University, Grodno,
Dr_ruslan@mail.ru*

Based on the analysis of literature data, the article suggests the most optimal ways of applying public-private partnership mechanisms in the healthcare sector in the Republic of Belarus. It is shown that the mechanism of public-private partnership is a promising area of medicine financing in Belarus.

СПОСОБ МОДЕЛИРОВАНИЯ ПОСЛЕОПЕРАЦИОННОЙ ВЕНТРАЛЬНОЙ ГРЫЖИ У ЛАБОРАТОРНОЙ КРЫСЫ

Дудинский А. Н.

*Гродненский государственный медицинский университет,
г. Гродно, Беларусь
allecs85@tut.by*

Введение. Для лечения послеоперационных вентральных грыж (далее ПОВГ) срединной локализации в клинике применяется много разных способов пластики передней брюшной стенки,

имеющих как свои преимущества, так и свои недостатки. В настоящее время наиболее эффективными являются способы пластики грыжевых ворот с использованием сетчатых трансплантатов. Несмотря на большое количество предложенных способов пластики, на сегодняшний день не существует универсального способа. По этой причине есть необходимость в изучении новых способов лечения ПОВГ в эксперименте.

При разработке новых способов лечения ПОВГ в эксперименте в большинстве случаев используют лабораторное животное с неизменной передней брюшной стенкой [1], и лишь единичные авторы предварительно моделируют грыжевой дефект [2,3]. Так как мышечно-апоневротическая ткань отличается у здоровых людей и лиц с грыжами, то для более глубокого экспериментального исследования новых способов оперативного лечения ПОВГ предварительное их моделирование у лабораторных животных – важный этап исследования.

Цель исследования. Разработка способа, позволяющего создать срединную послеоперационную вентральную грыжу у лабораторной крысы с сохранением целостности прямых мышц живота, а также наличием местных и общих патологических изменений в тканях брюшного пресса, характерных для послеоперационной грыжи у человека.

Материал и методы. Исследование выполнено на беспородистых белых крысах. Сформированы вентральные грыжи у 126 крыс. Все животные содержались в виварии в стандартных условиях в общих клетках по 2-3 крысы в каждой, на одинаковом пищевом рационе. Исследования проводили с разрешения Этического комитета УО «ГрГМУ», в полном соответствии с современными принципами биоэтики («Европейская конвенция по защите прав позвоночных животных», принятая в Страсбурге 18 марта 1986 г.). Послеоперационные вентральные грыжи моделировались по собственной оригинальной методике (уведомление о положительном результате предварительной экспертизы по заявке на выдачу патента на изобретение № 20170105 от 17 мая 2017 г. «Способ моделирования послеоперационной вентральной грыжи у лабораторной крысы»).

Результаты. Моделирование ПОВГ осуществляют следующим образом. Под общим наркозом у лабораторной крысы

по срединной линии живота производят разрез кожи и подкожной жировой клетчатки протяженностью 4-5 см. Затем кожно-подкожные лоскуты отсепааровывают от передней брюшной стенки до передней подмышечной линии. Далее, отступя по 1 мм по обе стороны от белой линии, рассекают передние листки влагалищ прямых мышц живота, после чего остро и тупо отделяют прямые мышцы живота от задних листков влагалищ данных мышц. Полученные два мышечно-апоневротических лоскута поочередно подшивают кетгутом к кожно-подкожным лоскутам, отступя от краев кожной раны 2 см. Таким образом, диастаз прямых мышц живота составляет 2-3 см. Далее иссекают апоневротические ткани в проекции белой линии живота, а задние листки влагалищ прямых мышц живота сшивают между собой кетгутовой нитью 4/0 на атравматической игле. Кожная рана ушивается наглухо. В результате на участке между прямыми мышцами живота органы брюшной полости отделены от подкожной клетчатки лишь задними листками влагалищ прямых мышц живота с брюшиной, что и является слабым местом, через которое в дальнейшем будет пролабировать вентральная грыжа. На 60-е сутки у 70% лабораторных крыс формируется грыжевое выпячивание, остальные 30% животных требуют больше времени для формирования вентральной грыжи.

Заявляемым способом было прооперировано 126 лабораторных крыс. У 89 (70%) крыс на 60-е сутки образовалась вентральная грыжа, у 37 (30%) крыс грыжевое выпячивание обнаружено позднее 60-х суток.

Преимущества заявляемого способа следующие:

- сформированные ПОВГ у лабораторных крыс более приближены к ПОВГ срединной локализации у пациентов, нежели известные нам прототипы;
- сохраняется целостность мышечно-апоневротических лоскутов без повреждения прямых мышц живота.

Вывод. Данный способ актуален при моделировании послеоперационных вентральных грыж срединной локализации у лабораторных крыс, для последующей их пластики разными способами в эксперименте.

Литература

1. Мамедов, Р. А. Морфологическая оценка местной реакции организма при применении сетчатых материалов для протезирования передней брюшной стенки / Р. А. Мамедов // Новости хирургии. – 2013. – Т. 21, № 1. – С. 23–28.

2. Способ моделирования послеоперационной вентральной грыжи у лабораторной крысы: пат. 15827 Респ. Беларусь, МПК С1, G09В 23/28 В. Г. Богдан, Д. А. Толстов; заявитель УО «Белорусский государственный медицинский университет» (ВУ). – № а 20091453; заявл. 15.10.2009; опубл. 30.04.2012 // Афіцыйны бюл. / Нац. цэнтр інтэлектуал. уласнасці – 2012.

3. Белоконев, В. И. и др. Патогенез и хирургическое лечение послеоперационных вентральных грыж. Монография. – Самара ПТ Перспектива, 2005. – С. 70–71.

Summary

A WAY OF MODELING RATS INCISIONAL HERNIA

Dudzinski A. N.

*Grodno State Medical University, Grodno
allecs85@tut.by*

While there are many way of incisional hernia repair exist, we don't have «gold standard» yet. There is therefore a need to develop new ways of abdominal wall repair «in vivo». The new way of modelling rats incisional hernia is presented below.

ВЛИЯНИЕ SN-ПОЛИМОРФИЗМОВ ГЕНОВ СОЕДИНИТЕЛЬНОЙ ТКАНИ НА РАЗВИТИЕ ОЖОГОВОГО СЕПСИСА И ЕГО ИСХОД

***Жилинский Е. В.¹, Ибрагимова Ж. А.², Губичева А. В.¹,
Марчук С. И.², Гуринович В. В.², Часнойть А. Ч.³, Скакун П. В.¹***

¹ *Городская клиническая больница скорой медицинской помощи, г.
Минск, Беларусь*

² *Белорусский государственный медицинский университет, г. Минск,
Беларусь*

³ *Белорусская медицинская академия последипломного образования, г.
Минск, Беларусь. zhyliniski@list.ru*

Введение. Инфекционные осложнения – основная причина смерти пациентов с ожогами [1]. В развитии сепсиса и его исхода у

тяжелообожженных пациентов важна роль генов, отвечающих за формирование рыхлой соединительной ткани. Данная ткань в ожоговых ранах представлена грануляциями и является естественным барьером для проникновения инфекции. Нормальный процесс заживления ожоговой раны – важный фактор профилактики местных инфекционных осложнений и сепсиса. Значимую роль в процессах образования соединительной ткани играют полиморфизмы генов T(-397)C ESR 1 (RS 2234693), G(1226)T COL 1A1 (RS 1800012), T(353)C VDR (RS 731236), которые оказывают действие на формирование [2] и созревание коллагена, влияют на регуляторные клетки, процессы ангиогенеза в соединительной ткани, функционирование эндотелиоцитов [3, 4]. Все эти эффекты могут оказывать влияние на репаративные процессы у пациентов с ожоговой травмой. Нарушение заживления, обусловленное полиморфизмами генов соединительной ткани, создает благоприятные условия для генерализации инфекции и ее неблагоприятного исхода.

Цель исследования. Оценить влияние SN-полиморфизмов генов, участвующих в образовании соединительной ткани, на развитие сепсиса и его исход у пациентов с ожоговой болезнью.

Материал и методы. В проспективное когортное исследование вошли 196 пациентов старше 18 лет и индексом тяжести поражения свыше 30 единиц Республиканского ожогового центра Городской клинической больницы скорой медицинской помощи г. Минска. В основную группу были включены 120 пациентов с сепсисом, в группу сравнения – 76 пациентов без сепсиса. Сепсис выставлялся на основании критериев Согласительного совета по ожоговой инфекции Китайской медицинской ассоциации (КМА), 2013 г. [5]. Группы пациентов были однородны по возрастному и половому составу, сопутствующей патологии, пациенты получили равнозначную термическую травму, которая обусловила развитие ожоговой болезни. В проведенном исследовании проанализированы SN-полиморфизмы генов, влияющих на образования соединительной ткани: T(-397) C ESR 1 (rs 2234693), G(1226)T COL 1 α 1 (rs 1800012), T(353)C VDR (rs 731236). Анализ полиморфных вариантов генов осуществлялся методом полимеразной цепной реакции (ПЦР) на PCR-амплификаторе в режиме RealTime при

помощи наборов «АО ДНК-технология». Типы изученных полиморфизмов генов и последовательности олигопраймеров представлены в таблице 1.

Таблица 1. – Олигопраймеры для определения полиморфизмов генов, n=196

Ген	Полиморфизм	Структура праймера
ESR 1	T→C (rs 2234693)	5'-AGGCTGGGCTCAAACACAG-3' 5'-TCCTTGGCAGATTCCATAGC-3'
COL 1α1	G→T (rs 1800012)	5'-ТААСТТСТГГАСТАТТТГСГГАСТ-3'
VDR	T→C (rs 731236)	5'-GTCCAGCCCTCATCCGGGCC-3' 5'-GATGATCCAGAAGCTAGCCGACCT-3' 5'-GCAACTCCTCATGGCTGAGGTCT-3'

Статистический анализ выполнен при помощи программы Statistica 10. Различия между количественными признаками в разных группах выявлялись при помощи критерия Манна-Уитни (U), между качественными признаками – при помощи χ^2 (с расчетом критерия Фишера). Статистически значимыми различия считались при $p < 0,05$.

Результаты исследования. В проведенном исследовании при изучении полиморфизма T(-397)C ESR 1 (rs 2234693), у 47,96% пациентов с ожоговой болезнью определена аллель T, у 52,04% – аллель C. Аллель T встречалась у 46,67% пациентов с сепсисом и у 48,68% без сепсиса, аллель C у 53,33% пациентов с сепсисом и у 51,31% пациентов без сепсиса ($\chi^2=0,08$ $p=0,883$). При этом аллель T достоверно чаще встречалась при неблагоприятном исходе сепсиса (у 65,38% умерших), чем при благоприятном исходе (у 27,94% выживших), в то время как аллель C реже встречалась при неблагоприятном исходе сепсиса (у 34,62% умерших), чем при благоприятном исходе (у 72,06% выживших) ($\chi^2=16,75$ $p < 0,001$).

При анализе полиморфизма G(1226)T COL 1α1 (rs 1800012), аллель G выявлена у 83,67% пациентов с ожоговой болезнью, а аллель T – только у 16,33% тяжелообожженных пациентов. Частота встречаемости данного полиморфизма существенно не различалась у пациентов с сепсисом и без такового. Так, аллель G была выявлена у 82,50% пациентов с сепсисом и у 84,21% пациентов без

сепсиса ($\chi^2=0,10$ $p=0,846$), а аллель Т – у 17,50% с сепсисом и у 15,79% пациентов без сепсиса ($\chi^2=0,10$ $p=0,846$). Однако у умерших пациентов с сепсисом 1226Т COL 1 α 1 встречался достоверно чаще (30,88%), чем у выживших (4,48%) ($\chi^2=15,36$ $p<0,001$).

В проведенном исследовании при изучении полиморфизма Т(353)С VDR (rs 731236), аллель Т выявлена у 47,96%, а аллель С – у 52,04% пострадавших. Аллель Т встречалась у 46,67% пациентов с сепсисом и у 48,68% пациентов без сепсиса, аллель С у 53,33% пациентов с сепсисом и у 51,32% пациентов без сепсиса ($\chi^2=0,08$ $p=0,883$). При этом значимых различий во встречаемости данных аллелей при разных исходах сепсиса не выявлено. Полиморфизм 353Т VDR встречался у 50,00% умерших и у 47,06% выживших пациентов с сепсисом ($\chi^2=0,10$, $p=0,854$).

Выводы. Полиморфизмы генов эстрогенного рецептора – 397Т ESR 1 (rs 2234693) и коллагена 1 α 1 1226Т COL 1 α 1 (rs 1800012) чаще встречались при неблагоприятном исходе сепсиса ($p<0,001$). Наличие мутаций -397Т ESR1, -1226Т COL 1 α 1 требует проведения активной хирургической тактики в лечении ожогов для снижения риска развития раневого сепсиса у тяжелообожженных пациентов.

Литература

1. Church D., Elsayed S., Reid O., Winston B., Lindsay R. (2006) Burn Wound Infections. Clin. Microbiol. Rev, vol. 19, no 2, p. 403–434.
2. Binlong Zhong, Donghua Huang, Kaige Ma et al. (2017) Association of COL1A1 rs1800012 polymorphism with musculoskeletal degenerative diseases: a meta-analysis. Oncotarget., vol. 8(43), p. 75488–75499.
3. Sukhikh G. T., Kesova M. I., Donnikov A. E. et al. (2011) Rol polimorfizma gena estragenovogo receptora alfa (ESR 1) v formirovanii nepolnocennogo rubca na matke posle kesareva sechenia [The role of estrogen receptor alpha (ESR1) gene polymorphism in the formation of defective uterine scar after cesarean operation]. Obstetrics and Gynecology, no 4, pp. 40-44.
4. Ramagopalan S. V., Heger A., Berlanga A. J., Maugeri N. J. et al. (2010) A ChIP-seq defined genome-wide map of vitamin D receptor binding: Associations with disease and evolution. Genome Res., vol. 20 (10), p. 1352–1360.
5. Yizhi P., Jing C., Zhiqiang Y., Xiaolu L., Gaoxing L., Jun W. (2013) Diagnostic criteria and treatment protocol for post-burn sepsis. Crit. Care (electronic journal), vol.17, no1. Available at: <https://www.ncbi.nlm.nih.gov/pmc/articles/PMC4057287> (accessed 10 April 2019).

Summary

THE EFFECT OF SN-POLYMORPHISMS OF CONNECTIVE TISSUE GENES IN DEVELOPMENT OF BURN SEPSIS AND IT'S OUTCOME

*Zhylinski Y. V.¹, Ibragimova Zh. A.², Gubicheva A. V.¹,
Marchuk S. I.², Gurinovich U. U.², Chasnoit A. Ch.³, Skakun P. V.¹*

¹ *City Clinical Emergency Hospital, Minsk*

² *Belarusian state medical university, Minsk*

³ *Belarusian Medical Academy of Post-Graduate Education, Minsk*

The normal healing process of a burn wound is an important factor in the prevention of local infectious complications and sepsis. Violation of healing due to polymorphisms of connective tissue genes creates favorable conditions for the generalization of infection and it's adverse outcome.

**ЧАСТОТА ВСТРЕЧАЕМОСТИ
SN-ПОЛИМОРФИЗМОВ ГЕНОВ ВОСПАЛИТЕЛЬНОГО
ОТВЕТА ПРИ СЕПСИСЕ У ПАЦИЕНТОВ С ТЯЖЕЛОЙ
ОЖОГОВОЙ ТРАВМОЙ**

*Жилинский Е. В.¹, Скакун П. В.¹, Губичева А. В.¹,
Ибрагимова Ж. А.², Гуринович В. В.², Марчук С. И.²,*

¹ *Городская клиническая больница скорой медицинской помощи, г.
Минск, Беларусь*

² *Белорусский государственный медицинский университет, г. Минск,
e.zhylinski@list.ru*

Введение. Современная концепция патогенеза сепсиса основана на изучении генетических ассоциаций специфических кандидатных генов, вовлеченных в регуляцию иммунного ответа. Согласно этой концепции, генетические факторы человека играют значительную роль в исходе инфекционных заболеваний. К генам, контролирующим тип иммунного ответа, чувствительность или резистентность к инфекции, предрасположенность к разным формам течения инфекционных заболеваний и их осложнений, относятся в первую очередь гены цитокинов [1].

Одной из основных причин смерти у пациентов с ожоговой травмой является сепсис, при этом показатели летальности достигают 84% [2-3]. Сепсис у тяжелообожженных пациентов имеет свои особенности, так как развивается на фоне гиперметаболического и системного воспалительного ответа [4].

Цель исследования. Оценить встречаемость SN-полиморфизмов генов провоспалительного G(-308)A/TNF α (rs1800629), G (-174)C/IL6 (rs1800795) и противовоспалительного ответа (Gln551Arg IL4R (rs1801275), (rs1800629), C(-589)T/IL4 (rs2243250), A(1082)G IL10 (rs1800896) при сепсисе и его неблагоприятном исходе.

Материал и методы. Проспективное когортное исследование проводилось с июня 2016 г. по январь 2019 г. на базе Республиканского ожогового центра Городской клинической больницы скорой медицинской помощи г. Минска и лаборатории биохимических методов исследования Белорусского государственного медицинского университета. В исследование были включены 196 пациентов старше 18 лет с ожоговой болезнью. Диагноз «сепсис» выставлялся на основе критериев Согласительного совета по ожоговой инфекции Китайской медицинской ассоциации (КМА), 2013 г. [5].

В основную группу вошли 120 пациентов с сепсисом, в группу сравнения – 76 пациентов без сепсиса. Группы пациентов были однородны по возрастному и половому составу, пациенты получили равнозначную ожоговую травму, которая обусловила развитие ожоговой болезни.

Статистический анализ выполнен при помощи программы Atte Stat Excel 10.0 и Statistica 10. Различия между признаками в исследуемых группах выявлялись при помощи критерия Манна-Уитни (U), и χ^2 (с расчетом критерия Фишера).

Результаты исследования. У тяжелообожженных пациентов проанализированы частоты следующих SN-полиморфизмов: G(-308)A/TNF α (rs1800629), G (-174)C/IL6 (rs1800795), Gln551Arg/IL4R (rs1801275), C(-589)T/IL4R (rs2243250), A(1082)G/IL10 (rs1800896).

В проведенном исследовании доля пациентов с -308A TNF α (rs1800629) составила 13,04%. Влияния на прогноз тяжелой ожоговой травмы аллели А не выявлено: данный полиморфизм встречался у 12,5% умерших пациентов и у 13,2% выживших ($\chi^2=0,04$, $p=1,000$).

Данная аллель выявлена у 11,8% тяжелообожженных пациентов с сепсисом и у 13,8% пациентов без сепсиса ($\chi^2=0,08$, $p=1,000$). Доля пациентов с -308A TNF α была выше при тяжелом течении сепсиса с неблагоприятным исходом (16,7%), чем у пациентов с благоприятным исходом (6,3%) ($\chi^2=4,98$, $p=0,042$).

Следующим проанализированным полиморфизмом был G (-174)C IL6 (rs1800795). В исследовании доля пациентов с аллелью -174G IL6 (rs1800795) составила 51,1%. Доля пациентов с аллелью -174G IL6 среди умерших (50,0%) и выживших (51,5%) тяжелообожженных существенно не различалась ($\chi^2=0,02$, $p=1,000$). Данная аллель выявлена у 55,9% пациентов с сепсисом и у 48,3% без сепсиса ($\chi^2=0,50$, $p=0,523$). Различий по частоте встречаемости -174G IL6 у умерших пациентов с сепсисом при ожоговой болезни не получено, хотя -174G IL6 встречался на 11,1% чаще, чем у выживших ($\chi^2=0,42$, $p=0,730$).

Далее был проанализирован полиморфизм Gln551ArgIL4R (rs1801275). Доля пациентов с заменой глутамина на аргинин в рецепторе ИЛ-4 в исследовании составила 17,4%, среди умерших пациентов – 20,8%, среди выживших – 16,2% ($\chi^2=0,27$, $p=0,755$). Данный полиморфизм не оказывал влияния на развитие сепсиса: у пациентов с генерализованной инфекцией он встречался в 20,6% случаев, без таковой – в 15,5% случаев ($\chi^2=0,38$, $p=0,577$). Различий по частоте встречаемости данной замены у умерших (22,2%) и выживших (18,8%) пациентов с сепсисом при ожоговой болезни не получено ($\chi^2=0,06$, $p=1,000$).

В проведенном исследовании у тяжелообожженных пациентов частота аллели -589T IL4 (rs2243250) составила 20,7%. Доля пациентов с аллелью T среди умерших составила 20,8%, среди выживших – 20,6% ($\chi^2=0,01$, $p=1,000$). Доля пациентов с -589T IL4 при развитии сепсиса составила 32,5%, что было выше, чем у пациентов без сепсиса (11,2%) ($\chi^2=5,11$, $p=0,031$). Наличие данного полиморфизма достоверно не влияло на прогноз при сепсисе у умерших (22,2%) и выживших (31,3%) пациентов ($\chi^2=2,35$, $p=0,170$).

Доля пациентов с аллелью -1082G IL10 (rs1800896) составила 59,8%. Частота данной аллели у умерших пациентов составила 54,7%, у выживших – 61,7% ($\chi^2=0,43$, $p=0,629$). Полиморфный вариант -1082G IL10 выявлен у 77,6% пациентов с сепсисом и у

38,2% пациентов без сепсиса ($\chi^2=6,39$, $p=0,017$), что демонстрирует влияние -1082G IL10 на развитие сепсиса при ожоговой болезни.

Выводы. SN-полиморфизмы -589T IL4 (rs2243250) и -1082G IL10 (rs1800896) достоверно чаще встречались у пациентов с сепсисом ($\chi^2=5,11$, $p=0,031$) и ($\chi^2=6,39$, $p=0,017$), соответственно. При неблагоприятном исходе сепсиса преобладал SN-полиморфизм -308A TNF α (rs1800629) ($\chi^2=4,98$, $p=0,042$).

Литература

1. Tsygan, V. N. Genetic polymorphism of cytokines / V. N. Tsygan, M. A. Ivanov, T. A. Kamilova [et al.] // Vestnik of russian military medical academy. – 2006. – № 2. – С. 211-219.

2. Lopez, O. N. Predicting and managing sepsis in burn patients: current perspectives / O.N. Lopez, J. Cambiaso-Daniel, L. K. Branski [et al.] // Ther. Clin. Risk Manag. – 2017. – № 13. – С. 1107-1117.

3. D'Avignon, L. C. Contribution of bacterial and viral infections to attributable mortality in patients with severe burns: an autopsy series. / L. C. D'Avignon, B. K. Hogan, C. K. Murray [et al.] // Burns. – 2010. – № 6 (36). – С. 773-779.

4. Williams, F. N. The hypermetabolic response to burn injury and interventions to modify this response. / F. N. Williams, D. N. Herndon, M. G. Jeschke // Clin. Plast. Surg. – 2009. – № 4 (36). – С. 583–96.

5. Yizhi, P. Diagnostic criteria and treatment protocol for post-burn sepsis. / P. Yizhi, C. Jing, Y. Zhiqiang [et al.] // Crit. Care. – 2013. – № 1 (17). – С.406.

Summary

FREQUENCY OF SNP OF INFLAMMATORY RESPONSE GENES IN SEPSIS PATIENTS WITH SEVERE BURN INJURY

Zhyllinski Y. V.¹, Skakun P. V.¹, Gubicheva A.V.¹, Ibragimova J. A.², Gurinovich U. U.² Marchuck S. I.²

¹ Minsk City Emergency Hospital, Minsk

² Belarusian state medical university, Minsk

e.zhyllinski@list.ru

Human genetic factors play a significant role in the outcome of infectious diseases. Cytokine genes play an important role in the formation of immune response. The article considers SN polymorphisms of pro- and antiinflammatory response genes and their influence on the development and outcome of sepsis in severe burn injury.

ОЦЕНКА УРОВНЕЙ ЭПИДЕРМАЛЬНОГО ФАКТОРА РОСТА И ЦИТОКИНОВ В ПРОГНОЗИРОВАНИИ РАЗВИТИЯ СЕПСИСА У ПАЦИЕНТОВ С ТЯЖЕЛОЙ ОЖОГОВОЙ ТРАВМОЙ

*Жилинский Е. В.¹, Ибрагимова Ж. А.², Часнойть А. Ч.³,
Суровцева Е. В.², Гуринович В. В.²*

¹ *Городская клиническая больница скорой медицинской помощи,
г. Минск, Беларусь*

² *Белорусский государственный медицинский университет,
г. Минск, Беларусь*

³ *Белорусская медицинская академия последипломного образования,
г. Минск, Беларусь
e.zhylinski@list.ru*

Введение. Ожоговая травма – одна из наиболее сложных проблем мирового здравоохранения, имеющая высокую медицинскую и социально-экономическую значимость. Согласно данным Всемирной организации здравоохранения (ВОЗ), свыше 180 000 человек в год погибают от ожогов кожи. Основными причинами смерти тяжелообожженных пациентов стали сепсис и полиорганная недостаточность [1,5]. Сепсис у тяжелообожженных пациентов имеет свои особенности, так как развивается на фоне гиперметаболического и системного воспалительного ответов. Цитокины играют важную роль в провоспалительном и противовоспалительном ответах, а изменение их продукции оказывает значительное влияние на течение и исход сепсиса. Выявление прогностических уровней цитокинов позволяет оптимизировать лечение для предотвращения генерализованной инфекции и ее неблагоприятного исхода[3, 4].

Цель исследования. Оценить уровни эпидермального фактора роста и цитокинов в прогнозировании развития сепсиса у пациентов с тяжелой ожоговой травмой.

Материал и методы. В ходе проспективного когортного исследования обследованы 196 пациентов Республиканского ожогового центра Городской клинической больницы скорой медицинской помощи г. Минска. В основную группу были включены 120 пациентов с ожоговой болезнью, у которых развился сепсис, в группу сравнения – 76 тяжелообожженных без

генерализации инфекции. Сепсис выставлялся на основании критериев Согласительного совета по ожоговой инфекции Китайской медицинской ассоциации (КМА), 2013 г. [2]. Группы пациентов были однородными по возрастному и половому составу, пациенты получили равнозначную ожоговую травму, которая обусловила развитие ожоговой болезни.

Для выявления предикторов развития ожогового сепсиса проанализированы уровни эпидермального фактора роста (ЭФР), интерлейкинов 1 β , 2, 6, 8, 10 (ИЛ1 β , ИЛ2, ИЛ6, ИЛ8, ИЛ10), фактора некроза опухолей α (ФНО α) на вторые сутки после купирования явлений ожогового шока.

Цитокины определялись в сыворотке крови пациентов иммуноферментным методом на анализаторе Stat Fax 3200, наборами АО «ВЕКТОР-БЕСТ» согласно инструкции производителя. Различия между количественными признаками в разных группах выявлялись при помощи критерия Манна-Уитни (U).

Результаты исследования. Для выявления предикторов развития ожогового сепсиса были проанализированы уровни эпидермального фактора роста (ЭФР), интерлейкинов 1 β , 2, 6, 8, 10 (ИЛ1 β , ИЛ2, ИЛ6, ИЛ8, ИЛ10), фактора некроза опухолей α (ФНО α) на вторые сутки после купирования явлений ожогового шока у 120 пациентов с ожоговой болезнью, у которых развился сепсис, и у 76 тяжелообожженных без генерализованной инфекции.

Уровни цитокинов и эпидермального фактора роста у тяжелообожженных пациентов после купирования ожогового шока на 2-е сутки приведены в таблице 1.

Таблица 1. – Уровни эпидермального фактора роста и цитокинов у тяжелообожженных пациентов после купирования явлений ожогового шока, n=196

Цитокин/хемокин	Пациенты с сепсисом, n=120	Пациенты без сепсиса, n=76	U, p
ЭФР, пг/мл	49,00 (33,0; 112,0)	128,00 (34,5; 226,0)	U=105,0, p=0,030
ИЛ1 β , пг/мл	95,00 (45,0; 110,0)	3,5 (3,3; 3,9)	U=249,0, p=0,750
ИЛ2, пг/мл	3,20 (2,2; 3,4)	2,20 (1,90; 3,0)	U=167,0, p=0,112
ИЛ6, пг/мл	240,00 (38,0; 400,0)	80,00 (72,50; 130,0)	U=43,0, p=0,004

ИЛ8, пг/мл	95,00 (45,0; 110,0)	50,0 (35,0; 87,5)	U=178,0, p=0,138
ИЛ10, пг/мл	34,00 (14,5; 50,0)	18,0 (8,3; 22,5)	U=101,0, p=0,026
ФНО α , пг/мл	2,90 (2,7; 3,0)	2,3 (2,2; 2,8)	U=189,0, p=0,186

Достоверных различий между уровнями ИЛ1 β , ИЛ2, ИЛ8, ФНО α после купирования явлений ожогового шока в группах пациентов без сепсиса и с сепсисом не выявлено ($p < 0,05$). Уровни ЭФР у пациентов с развившимся в последующем сепсисе (49,00 (33,0; 112,0) пг/мл) были достоверно ниже, чем у пациентов без сепсиса (128,00 (34,5; 226,0) пг/мл, $U=105,0$, $p=0,030$), в то время как содержание ИЛ6 и ИЛ10 – выше ($p=0,004$ и $p=0,026$, соответственно). Так, у пациентов с сепсисом уровни ИЛ6 и ИЛ10 составили 240,00 (38,0; 400,0) пг/мл и 34,00 (14,5; 50,0), соответственно, у пациентов без сепсиса – 80,00 (72,50; 130,0) пг/мл и 18,0 (8,3; 22,5) пг/мл, соответственно.

Для установления оптимальных диагностических порогов развития сепсиса проведен ROC-анализ. Оптимальный прогностический порог ЭФР для развития сепсиса составил 112 пг/мл ($AUC=0,790$ $p=0,003$), т. е. сепсис при уровне ЭФР, равном и менее 112 пг/мл, может быть спрогнозирован с точностью 76,1% (чувствительность – 77,2%, специфичность – 75,0%). Точка отсечения для ИЛ6 составила 160 пг/мл ($AUC=0,857$ $p=0,003$), т. е. сепсис при уровне ИЛ6, равном и более 160 пг, может быть спрогнозирован с точностью 87,0% (чувствительность – 85,7%, специфичность – 88,9%). Согласно ROC-анализу при уровне ИЛ10, равном и более 40 пг/мл, может прогнозироваться развитие генерализованной инфекции с точностью 81,2% (чувствительность – 77,2%, специфичность – 85,1%, $AUC=0,787$ $p=0,022$).

Выводы. Снижение уровня ЭФР ниже 112 пг/мл ($p=0,003$), рост уровня ИЛ 6 свыше 160 пг/мл ($p=0,003$) и увеличение значения ИЛ 10 свыше 40 пг/мл ($p=0,022$) после купирования ожогового шока – предикторы развития сепсиса при ожоговой болезни.

Литература

1. Ожоговый сепсис: особенности развития и ранней диагностики / И. В. Шлык [и др.] // Вестник анестезиологии и реаниматологии. – 2009. – Т. 6, № 5. – С. 16–24.
2. Diagnostic criteria and treatment protocol for post–burn sepsis / P. Yizhi [et al.] // Crit. Care. – 2013. – Vol. 17, № 1. – P. 406.
3. Inflammatory cytokines and their prognostic ability in cases of major burn injury / J. Hur [et al.] // Ann. Lab. Med. – 2015. – Vol. 35, № 1. – P. 105–110.
4. Surviving sepsis campaign: International guidelines for management of severe sepsis and septic shock, 2012 / R. P. Dellinger [et al.] // Intensive Care Med. – 2013. – Vol. 39, № 2. – P. 165–228.
5. The Third International Consensus Definitions for Sepsis and Septic Shock (Sepsis–3) / M. Singer [et al.] / JAMA. – 2016. – Vol. 315, № 8. – P. 801–810.

Summary

ASSESSMENT OF EPIDERMAL GROWTH FACTOR AND CYTOKINES LEVELS IN FORECASTING SEPSIS DEVELOPMENT IN PATIENTS WITH SEVERE BURNING INJURY

Zhylinski Y. V.¹, Ibragimova Zh. A.², Chasnoit A. Ch.³, Surovtseva E. V.², Gurinovich U. U.²

¹ *City Clinical Emergency Hospital, Minsk*

² *Belarusian state medical university, Minsk*

³ *Belarusian Medical Academy of Post-Graduate Education, Minsk
e.zhylinski@list.ru*

Sepsis in severely burnt patients has its own characteristics, because it develops against the background of hypermetabolic and systemic inflammatory responses. Cytokines play an important role in pro-inflammatory and anti-inflammatory responses. Identification of prognostic levels of cytokines help to optimize treatment and prevent generalized infection and its adverse outcome.

СРАВНИТЕЛЬНАЯ МОРФOMETРИЧЕСКАЯ ХАРАКТЕРИСТИКА ТОПОГРАФО-АНАТОМИЧЕСКИХ ПАРАМЕТРОВ ПАХОВОГО КАНАЛА ПРИ ГРЫЖАХ IIIА ТИПА

Жук С. А.

*Городская клиническая больница скорой медицинской помощи
г. Гродно, Беларусь
zhuk19858585@mail.ru*

Введение. Современная концепция выбора способа паховой герниопластики базируется на оценке степени разрушения задней стенки пахового канала, внутреннего пахового кольца, а также на определении высоты пахового промежутка и совокупной толщины мышц, образующих верхнюю стенку пахового канала, которые используются в качестве пластического материала при натяжных методах герниопластики [1,5]. Очевидно, что объективная интраоперационная оценка состояния основных топографо-анатомических параметров пахового канала – важный этап хирургического пособия при открытых оперативных вмешательствах и должна лежать в основе выбора метода паховой герниопластики. В то же время сведения об интраоперационной морфометрии топографо-анатомических параметров пахового канала при IIIа типе грыж не нашли достаточного освещения в медицинской литературе.

Цель исследования. Выяснить различия топографо-анатомических параметров пахового канала при грыжах IIIа типа у пациентов разных возрастных групп.

Материал и методы. Топографо-анатомические параметры пахового канала изучены у 45 пациентов с паховыми грыжами IIIа типа методом интраоперационной морфометрии с помощью специально разработанных устройств [2, 3]. Изучали высоту (Н) пахового промежутка (ПП), совокупную толщину мышц, образующих верхнюю стенку пахового канала (СТМ), а также диаметр глубокого пахового кольца (ДГПК). Полученные числовые данные обрабатывали методом вариационной статистики на персональном компьютере в электронных таблицах Excel с вычислением медианы (Me) и квартилей (Q_1 , Q_2). Достоверность показателей оценивали по U-критерию Манна-Уитни. Анализ

соответствия вида распределения признака закону нормального распределения проводили с помощью критерия Шапиро-Уилка. Для сравнения двух и более независимых групп по уровню признака использовался ранговый Н-критерий Крускала-Уоллиса для независимых выборок при заданном уровне значимости [4].

Результаты исследования. Результаты интраоперационной морфометрии по изучению параметров пахового канала у пациентов с IIIa типом паховых грыж представлены в таблице 1. Установлено, что у лиц пожилого возраста также имеет место увеличение высоты ПП и наблюдается уменьшение СТМ верхней стенки пахового канала по сравнению с пациентами молодого и среднего возраста. При IIIa типе грыж выявлены различия в высоте ПП между пациентами молодого и пожилого возраста ($p=0,0056$), а также между пациентами пожилого и среднего возраста ($p=0,0078$). Попарное сравнение СТМ верхней стенки пахового канала выявило статистически значимые различия в данном показателе между пациентами среднего и пожилого возраста ($p=0,0044$), а также между пациентами молодого и пожилого возраста ($p=0,0021$). Существенных различий в ДГПК между пациентами исследуемых возрастных групп при IIIa типе грыж выявить не удалось.

Таблица 1. – Морфометрическая характеристика основных топографо-анатомических параметров пахового канала у пациентов молодого и пожилого возраста при IIIa типе грыж

Возрастные группы	Количество пациентов	Параметры пахового канала (мм)					
		Н – ПП (мм)		СТМ (мм)		ДГПК (мм)	
		M	e	M	e	M	e
		e	M	Q	M	e	M
		Q ₁	±	1	±	Q ₁	±
		;	m	;	m	;	m
		Q ₂		Q		Q ₂	
				2			
Па		28	27	9	8,	10	10
ци		(2	,6	(73		,2
ен							

«СОВРЕМЕННЫЕ ДОСТИЖЕНИЯ МОЛОДЫХ УЧЁНЫХ В МЕДИЦИНЕ»
г. Гродно, 29 ноября 2019 года

ты	5;	7±	8	±	(9;	±
мо	30	1,	;	0,	11	0,
ло)	0	1	32)	24
го						
во			0			
зра)			
ста						
Па			7			
ци	28	28	(6,	11	11
ен	(2	,2	5	53	(1	,1
ты	4;	±	;	±	0;	3±
ср	30	0,	8	0,	12	0,
ед)	9)	39)	29
не						
го						
во						
зра						
ста						
Па			4			
ци	35	35	(4,	14	14
ен	(3	,3	3	13	(1	,2
ты	0;	3±	;	±	4;	±
по	41	1,	5	0,	15	0,
жи)	4)	24)	37
ло						
го						
во						
зра						
ста						

Выводы. При IIIa типе грыж у лиц пожилого возраста имеет место статистически значимое увеличение высоты ПП по сравнению с пациентами молодого возраста, а также статистически значимое уменьшение СТМ верхней стенки пахового канала по сравнению с пациентами молодого и среднего возраста. Выявленные морфометрические различия в топографо-анатомических параметрах диктуют дифференцированный подход к выбору паховой герниопластики.

Литература

1. Оскретков, В. И. Сравнительные результаты герниопластики паховых грыж по Лихтенштейну и по Бассини / В. И. Оскретков, В. А. Ганков, С. П. Бубенчиков // Пробл. клинич. медицины. - 2008. - № 5-6. - С. 56-58.

2. Патент № 11589 по заявке № и 20170194 (2017.05.29) "Устройство для определения совокупной толщины мышц верхней стенки пахового канала при операции грыжесечения". Авторы: Смотрин С. М., Михайлов А. Н., Новицкая В. С., Жук С. А. Оpubл. 2018.02.28, «Афіц. бюл.» № 1, 2018.

3. Патент № 11590 по заявке № и 20170200 (2017.06.05) "Устройство для интраоперационного определения высоты пахового промежутка". Авторы: Смотрин С. М., Михайлов А. Н., Новицкая В. С., Жук С. А. Оpubл. 2018.02.28, «Афіц. бюл.» №1, 2018.

4. Реброва, О. Ю. Статистический анализ медицинских данных. Применение пакета прикладных программ Statistica / О. Ю. Реброва. — М.: Медиасфера, 2002. — 312 с.

5. Смотрин, С. М. Хирургия паховых грыж в Гродненском регионе. Пути совершенствования подходов к выбору метода герниопластики / С. М. Смотрин, С. А. Визгалов, С. А. Жук, В. С. Новицкая, Д. Н. Пухов // Журнал Гродненского государственного медицинского университета. — 2018. —Т.16 (4). — С. 497-501.

Summary

COMPARATIVE MORPHOMETRIC CHARACTERISTICS OF TOPOGRAPHIC-ANATOMICAL PARAMETERS OF THE INGUINE CHANAL WITH HERNIA IIIA TYPE

Zhuk S. A.

*Emergency Hospital, Grodno
zhuk19858585@mail.ru*

Intraoperative morphometry of the inguinal canal showed that with type IIIa inguinal hernias in the elderly, there is a statistically significant increase in the height of the IS compared with young and middle-aged patients, as well as a statistically significant decrease in TMT of the upper wall of the IS compared with young and middle-aged patients. The revealed differences a differentiated approach to the choice of inguinal hernioplastic.

МОРФОФУНКЦИОНАЛЬНЫЕ ПОКАЗАТЕЛИ ГИСТАМИНЕРГИЧЕСКИХ НЕЙРОНОВ МОЗГА 5- СУТОЧНОГО ПОТОМСТВА КРЫС, ПОТРЕБЛЯВШИХ ЭТАНОЛ ВО ВРЕМЯ БЕРЕМЕННОСТИ

Заерко А. В., Федина Е. М.

*Гродненский государственный медицинский университет,
г. Гродно, Беларусь
wersall_91@mail.ru*

Введение. Множественные и разнообразные эффекты этилового спирта на центральную нервную систему не оставляют сомнений о влиянии его на функции основных нейромедиаторных систем. В этом отношении особый интерес представляет гистаминергическая система мозга, поскольку пути метаболизма гистамина и этанола в головном мозге имеют общий фермент – альдегиддегидрогеназу, что является метаболической основой для их взаимодействия в центральной нервной системе [5]. Известна высокая чувствительность развивающегося мозга к алкоголю [2]. Однако изучение постнатального развития гистаминергических нейронов у крыс, подвергавшихся пренатальной алкоголизации, не проводилось, что определяет важность и актуальность настоящего исследования.

Цель исследования. Оценка влияния алкоголя на морфофункциональные показатели гистаминергических нейронов ядра E2 заднего гипоталамуса 5-суточного потомства крыс, потреблявших алкоголь в период беременности.

Материал и методы. Опыты выполнены на самках беспородных белых крыс с начальной массой 230 ± 20 г и их потомстве. Самки опытной группы на протяжении беременности потребляли 15% раствор этанола в качестве единственного источника питья, самкам контрольной группы предлагалась вода. Декапитация крысят осуществлялась на пятые сутки после рождения, быстро извлекали головной мозг, вырезали гипоталамус и замораживали его в парах жидкого азота. В криостате готовили серийные фронтальные срезы заднего гипоталамуса толщиной 12 мкм, часть из которых окрашивали по методу Ниссля (0,1% водным раствором тионина) для проведения дальнейшего морфометрического анализа, остальные срезы обрабатывали на выявление активности оксидоредуктаз, связанных с циклом Кребса – сукцинатдегидрогеназы (СДГ), с гликолизом – лактатдегидрогеназы (ЛДГ), с транспортом электронов – НАДН-дегидрогеназы (НАДН-ДГ) и с внемитохондриальным окислением и синтезом нуклеиновых кислот – дегидрогеназы восстановленного НАДФ (НАДФН-ДГ). При идентификации ядер

гистаминергической системы мозга крысы использовали соответствующие топографические схемы [4].

Количественную оценку размеров и формы гистаминергических нейронов ядра E2 проводили на окрашенных по методу Ниссля микропрепаратах измерением следующих параметров: минимального и максимального диаметров, периметра, площади, объема нейронов, форм-фактора и фактора элонгации. Цитофотометрическое исследование проводили, определяя оптическую плотность полученного осадка хромогена в цитоплазме нейронов на максимуме поглощения окрашенных продуктов реакции.

Данные цито- и морфометрических исследований получили с помощью микроскопа Axioskop 2 plus (Zeiss, Германия), встроенной цифровой видеокамеры Leica (DFC 320, Германия), а также программы анализа изображения ImageWarp (BitFlow, США).

Полученные результаты обработали методами непараметрической статистики с помощью лицензионной программы Statistica 6.0 для Windows. Для всех исследованных показателей определяли базовые параметры описательной статистики: значение медианы и границы процентилей (от 25 до 75). Сравнение групп по одному признаку проводили с помощью критерия Манна-Уитни для независимых выборок (Mann-Whitney U-test). Различия между группами считали статистически значимыми, если вероятность ошибочной оценки не превышала 5%.

Результаты исследований. В ходе изучения структурных изменений перикарионов гистаминергических нейронов гипоталамуса пятисуточного потомства крыс, потреблявших алкоголь в период беременности, при сравнении с контрольной группой животных (Mann-Whitney U test) обнаружено наличие различий по следующим морфологическим параметрам: увеличение максимального и минимального диаметра, периметра, площади и объема перикарионов гистаминергических нейронов на 26,63% ($p=0,02$), 27,02% ($p=0,006$), 21,39% ($p=0,001$), 31,55% ($p=0,001$) и 43,37% ($p=0,0002$), соответственно. Это, возможно, свидетельствует о токсическом набухании исследованных нейронов в результате отека структур головного мозга крыс, перенесших хроническую пренатальную алкоголизацию. Выявленное изменение размеров перикарионов гистаминергических нейронов является временным, поскольку по данным ранее проведенных

нами исследований у крыс опытной группы на 45-е сутки постнатального развития данные показатели становятся ниже контрольных значений [1].

Клеточный ответ на пренатальную алкогольную интоксикацию проявляется у гистаминергических нейронов перестройкой энергетического метаболизма. Так, у крысят опытной группы наблюдается снижение активности НАДФН-ДГ на 57,34% ($p=0,005$), что обусловлено угнетением процессов немитохондриального окисления и синтеза нуклеиновых кислот. Также отмечается снижение активности НАДН-ДГ – митохондриального фермента, участвующего в переносе электронов в дыхательной цепи – на 29,53% ($p=0,005$) и снижение активности СДГ – маркерного фермента митохондрий – на 50,54% ($p=0,005$), что указывает на угнетение окислительно-восстановительных реакций в цикле Кребса, снижение уровня энергообмена и отражает ухудшение работы митохондриальной системы трансформации [3]. Это подтверждается сопутствующим увеличением активности ЛДГ на 55,97% ($p=0,005$), отражающим компенсаторное усиление активности анаэробного гликолиза.

Выводы. Потребление алкоголя крысами в период беременности вызывает серьезные структурные и метаболические изменения в гистаминергических нейронах гипоталамуса их пятисуточного потомства.

Литература

1. Заерко, А. В. Морфофункциональное состояние гистаминергических нейронов мозга 45-суточного потомства крыс, потреблявших этанол во время беременности / А. В. Заерко, Е. М. Федина, С. М. Зиматкин // Журнал ГрГМУ. – 2018. – Т. 16, № 6. – С. 685–689.
2. Зиматкин, С. М. Нарушения в мозге при антенатальной алкоголизации : монография / С. М. Зиматкин, Е. И. Бонь. – Гродно : ГрГМУ, 2017. – 192 с.
3. Савченко А. А. Основы клинической иммунометаболомики / А. А. Савченко, А. Г. Борисов. – Новосибирск : Наука, 2012. – 263 с.
4. Paxinos, G. The rat brain in stereotaxic coordinates / G. Paxinos, Ch. Watson. – 2-nd ed. – New York: Academic Press, 1986. – 320 p.
5. Zimatkin, S. M. Alcohol-histamine interactions / S. M. Zimatkin, O. V. Anichtchik // Alcohol Alcohol. – 1999. – Vol. 34. – P.97–99.

Summary

MORPHOFUNCTIONAL INDICATORS OF THE BRAIN HISTAMINERGIC NEURONS OF THE 5-DAY RAT OFFSPRING CONSUMED ETHANOL DURING PREGNANCY

Zaerko A.V., Phedina K.M.

*Grodno State Medical University, Grodno
wersall_91@mail.ru*

The consumption of alcohol by female rats during pregnancy disturbs the structure and metabolism of the developing hypothalamic histaminergic neurons of their 5-day offspring. The histaminergic neurons bodies increase in sizes and inhibition of NADPhH dehydrogenase, NADH dehydrogenase, succinate dehydrogenase, and activation of lactate dehydrogenases in their cytoplasm are observed.

ВОЗМОЖНОСТИ КАРДИОВАСКУЛЯРНОГО ТЕСТИРОВАНИЯ В ОЦЕНКЕ СУТОЧНОЙ ДИНАМИКИ АРТЕРИАЛЬНОГО ДАВЛЕНИЯ У МОЛОДЫХ МУЖЧИН С ГИПЕРТЕНЗИВНЫМ СИНДРОМОМ

Заяц А. Н.

*Гродненский государственный медицинский университет, г. Гродно,
Беларусь
ro_an_ni@mail.ru*

Введение. Распространенность артериальной гипертензии (АГ) среди мужчин в возрасте 18-29 лет составляет 23,4%, в $\frac{3}{4}$ случаев представлена АГ I степени. В возрастной группе 30-44 лет распространенность АГ увеличивается до 48,7%. Особенностью гипертензивного синдрома (ГС) молодого возраста является связь с вегетативным дисбалансом. Механизмы вегетативного контроля участвуют в модуляции сердечного ритма, регуляции артериального давления (АД) как в покое, так и при выполнении нагрузок, структурные изменения сердца и сосудов осуществляются нейроэндокринными механизмами.

Анализ variability ритма сердца (ВРС) позволяет оценить вклад вегетативных и надсегментарных структур в модуляцию сердечного ритма, а результаты кардиоваскулярного тестирования (КВТ) – охарактеризовать реактивность структур.

Ранее неоднократно, в том числе и в собственных исследованиях, было продемонстрировано, что показатели ВРС колеблются в широком диапазоне. Для отражения закономерности вегетативных изменений при выполнении КВТ предложено использовать коэффициенты приращения показателей.

Цель исследования. Выявление корреляционных связей сегментарной и надсегментарной реактивности вегетативной нервной системы с суточным профилем АД у молодых мужчин с ГС.

Материал и методы. На базе УЗ «ГКБ № 2 г. Гродно» обследованы 193 пациента мужского пола в возрасте 18-29 лет с ГС: 67 пациентов с АГ 1 степени, 13 – с АГ 2 степени, 91 – с высоким нормальным АД (ВНАД), 22 практически здоровых мужчины (К-группа).

Помимо общепринятых клинических методов исследования выполнялись анализ ВРС, суточное мониторирование АД (СМАД), велоэргометрическая проба (ВЭП). Оценивались показатели ВРС при выполнении активной ортостатической пробы (АОП) $\Delta LF/LF$, ΔIS , а также коэффициенты кардиоваскулярных тестов (КВТ): Кдых, К30/15, Квальс, $\Delta САД_{АОП}$, $\Delta ДАД_{ИЗО}$. Среди показателей СМАД оценивались среднесуточные, дневные и ночные уровни АД (САДс, ДАДс, САДд, ДАДд, САДн, ДАДн), вариабельность АД (VarСАДд, VarДАДд, VarСАДн, VarДАДн), индекс времени повышения АД (ИВСАДд, ИВДАДд, ИВСАДн, ИВДАДн), суточный индекс (СИСАД, СИДАД), скорость утреннего подъема (СУПСАД, СУПДАД). ВЭП проводили по протоколу симптом-лимитированной ступенчато возрастающей нагрузки (50 Вт – 100 Вт – 150 Вт – 200 Вт) с выделением типов гемодинамического ответа на физическую нагрузку. В зависимости от типа гемодинамического ответа пациенты были распределены на 4 группы: I – 34 пациента с физиологическим типом (ФТ), II – 53 пациента с гиперреактивным типом (ГРТ), III – 52 пациента с гипертензивным типом (ГТТ), IV – 32 пациента с гипердинамическим типом (ГДТ).

Статистический анализ выполнен непараметрическими методами. Результаты представлены в виде медианы и интерквартильного размаха.

Результаты. По данным КВТ (табл. 1) у пациентов с ГС в сравнении с К-группой значительно ниже вегетативное обеспечение пробы ($\Delta\text{LF}/\text{HF}$), надсегментарная реактивность (ΔIC), парасимпатическая реактивность (Кдых); кроме того, во II группе парасимпатическая реактивность ниже (по данным АОП). Между собой группы исследования различались по показателю ΔIC – во II ($p<0,01$) и IV ($p<0,05$) группах надсегментарная реактивность была ниже, чем в I группе.

Таблица 1. – Результаты КВТ

Показатель	Группы				
	К-группа	I группа	II группа	III группа	IV группа
$\Delta\text{LF}/\text{HF}$	6,2(4,4;10,1)	3,7(3,2;6,7)*	3,2(2,2;5,1)^	3,5(2,5;5,2)^	3,4(2,1;5,5)#
ΔIC	0,4(0,2;0,7)	0,7(0,5;1,0)#	1,2(0,6;1,9)^	0,8(0,4;1,6)#	1,1(0,6;1,5)^
Кдых	1,4(1,3;1,5)	1,3(1,2;1,4)*	1,3(1,2;1,5)*	1,3(1,2;1,4)#	1,3(1,2;1,3)#
К30/15	1,5(1,4;1,7)	1,4(1,3;1,6)	1,4(1,3;1,6)*	1,4(1,3;1,6)	1,5(1,3;1,6)
Квальс	1,9(1,5;2,2)	1,8(1,6;2,1)	1,8(1,6;2,0)	1,7(1,5;2,0)	1,7(1,5;2,1)
$\Delta\text{САД}_{\text{АОП}}$	-3(-5;0)	-2(-6;0)	-1(-6;3,25)	-6(-12;1)	-1(-8;2)
$\Delta\text{ДАД}_{\text{ИЗО}}$	14(11;22)	15(9;27)	18(9;22)	17(11;23)	15(7;25)

Примечания - * – статистическая значимость различий с К-группой, $p<0,05$; # – статистическая значимость различий с К-группой, $p<0,01$; ^ – статистическая значимость различий с К-группой, $p<0,001$

По данным СМАД (табл. 2), в сравнении с К-группой во всех группах САД и ДАД на протяжении суток было выше, в II, III, IV группах ИВСАД и ИВДАД были выше на протяжении суток, в I группе – ИВСАД ночью, во II группе СИДАД был выше, в IV группе СУПСАД и СУПДАД были выше. В III группе САД и ДАД на протяжении суток были выше, чем I группе, САД и ДАД днем – выше, чем во II группе. В IV группе САД и ДАД были выше на протяжении суток в сравнении с показателями I и II групп, САД днем и ДАД днем и ночью – выше в сравнении с показателями III группы. Различия носили статистически значимый характер. Аналогичные изменения были характерны и для ИВ. Во II группе наименьший СИДАД ($p<0,05$ для всех пар сравнения). В IV группе наибольшая СУПСАД ($p<0,05$ для всех пар сравнения).

Таблица 2. – Результаты СМАД

Показатель	К-группа	Группы			
		I	II	III	IV
Средний уровень АД					

«СОВРЕМЕННЫЕ ДОСТИЖЕНИЯ МОЛОДЫХ УЧЁНЫХ В МЕДИЦИНЕ»

г. Гродно, 29 ноября 2019 года

САДс	123(118;125)	126(121;132)#	127(121;135)#	132(127;139)^	138(132;143)^
ДАДс	73,5(70;78)	78(73;81)*	78(75;83)^	81(76;85)^	86(82;94)^
САДд	127(122;128)	132(125;137)#	131(127;137)^	137(131;145)^	143(138;148)^
ДАДд	78(75;82)	80(78;86)*	82(79;88)#	86(82;91)^	93(85;98)^
САДн	110(104;117)	115(113;122)*	117(111;126)^	122(118;127)^	128(120;132)^
ДАДн	63(56;65)	66(62;70)*	69(65;76)^	69(65;73)^	75(68;84)^
Индекс времени					
САДс	24,7(11,1;35,0)	39 (22;54)*	44 (22;63)#	59 (45;72)^	74 (58;85)^
ДАДс	32,4(21,2;41,9)	39 (26;57)	50(30;63)*	59 (41;69)^	78(60;87)^
САДд	8,5(4,2;20,7)	19(9;27)	19 (7;43)*	35 (19;60)^	62 (42;79)^
ДАДд	8,6(3,1;17,2)	18 (8;28)	19 (8;35)#	35 (17;52)^	58 (33;84)^
САДн	16,7(11,1;27,3)	41(13;60)*	38(17;72)#	49(29;75)^	72 (40;89)^
ДАДн	0(0;0)	0(0;14)	13(0;29)#	14 (0;25)#	33 (5;72)^
Суточный индекс					
САД	12,3(7,1;15,4)	12 (8;15)	11 (7;15)	11 (8;15)	11 (7;19)
ДАД	20,7(18,9;24,6)	20 (15;24)	16 (12;21)#	19 (15;25)	18 (9;26)
Скорость утреннего подъема					
САД	11(9;15)	12 (8;27)	15 (11;22)	14 (11;24)	22(16;28)#
ДАД	9(8;13)	11(7;16)	12(8;20)	12(8;17)	13 (8;31)*

Примечания - * – статистическая значимость различий с К-группой, $p < 0,05$; # – статистическая значимость различий с К-группой, $p < 0,01$; ^ – статистическая значимость различий с К-группой, $p < 0,001$

В I и II группах не выявлены корреляционные связи между показателями вегетативной реактивности и СМАД. В III группе выявлены корреляционные связи К30/15 и САДд ($r = -0,36$, $p < 0,05$), ДАДд ($r = -0,36$, $p < 0,05$), ИВСАДд ($r = -0,34$, $p < 0,05$), ИВДАДд ($r = -0,31$, $p < 0,05$), что указывает на роль недостаточности парасимпатического звена барорефлекторной регуляции в повышении АД в дневной промежуток времени. В IV группе выявлены корреляционные связи Квальс и СУПСАД ($r = -0,37$, $p < 0,05$), $\Delta LF/HF$ и САДд ($r = -0,43$, $p < 0,05$), ИВСАДд ($r = -0,46$, $p < 0,05$), СИСАД ($r = -0,54$, $p < 0,05$), что свидетельствует о влиянии сниженной парасимпатической реактивности на ускоренную утреннюю динамику САД, а также о значении снижения вегетативного обеспечения в формировании стабильной систолической АД и избыточного снижения САД ночью.

Выводы. Взаимосвязь между показателями вегетативного статуса и суточной динамикой АД выявлена в группах с избыточным инотропным ответом на физическую нагрузку. В группе с ГТТ ответа стабилизация повышенного АД днем ассоциировалась со сниженной парасимпатической реактивностью (по данным АОП). В группе ГДТ ответа снижение парасимпатической реактивности ассоциировалось не только со стабилизацией повышения САД в дневное время, но и с неблагоприятной ночной и утренней динамикой САД. Выявленные

связи указывают на значимое влияние вегетативного дисбаланса в регуляции АД у молодых мужчин с синдромом АГ при наличии избыточного инотропного ответа на физическую нагрузку.

Summary

**POSSIBILITIES OF CARDIOVASCULAR TESTING IN THE
EVALUATION OF 24-HOURS BLOOD PRESSURE DYNAMICS
IN YOUNG MEN WITH HYPERTENSIVE SYNDROME**

Zayats A.N.

*Grodno State Medical University, Grodno
po_an_ni@mail.ru*

Bicycle ergometry, cardiovascular tests and 24-hours blood pressure monitoring were performed in 193 men 18-29 years old with hypertensive syndrome to identify correlations between autonomic nervous system reactivity and 24-hours blood pressure profile. We established significant effect of autonomic imbalance on blood pressure regulation in the presence of an excessive inotropic response to exercise testing.

АНТИОКСИДАНТНЫЙ СТАТУС ПАЦИЕНТОВ С КРОВОТЕЧЕНИЕМ ИЗ ОСТРЫХ ГАСТРОДУОДЕНАЛЬНЫХ ЯЗВ

Зыблев С. Л.

*Республиканский научно-практический центр радиационной медицины
и экологии человека, г. Гомель, Беларусь
S.zyblev@yandex.by*

Введение. Острые язвы (стресс-опосредованные поражения слизистой – Stress-related mucosal disease (SRMD) – это поверхностные поражения слизистой оболочки органов пищеварительной системы, являются симптоматическим поражением и возникают как осложнение тяжелых заболеваний, травм, ожогов, после оперативных вмешательств, в результате психоэмоционального и физического переутомления, а также в связи с приемом алкоголя, лекарственных средств и некоторых других токсических веществ. Наблюдаются в любом возрасте, как у новорожденных, так и у лиц старческого возраста. Частота острых язвенных поражений в пожилом возрасте достигает 74,6% (С. В. Силуянов, Г. О. Смирнова, 2009). При стрессовых ситуациях гастродуоденальные поражения развиваются у 65-80% пациентов. По данным Wilcox С. М., у 74% пациентов, находящихся в ОАРИТ, имелось повреждение слизистой оболочки желудка или двенадцатиперстной кишки. При распространенных ожогах (язвы Курлинга) – от 11 до 78%, при нейротравмах (язвы Кушинга) – от 14 до 75% пациентов (И. М. Стасева, 2009).

В настоящее время большая роль уделяется оценке влияния нарушений в системе антиоксидантной защиты организма в развитии поражения слизистой желудочно-кишечного тракта у тяжелобольных. Сочетание выраженной прооксидантной активности сыворотки крови и высоких значений органной дисфункции, по литературным данным, свидетельствует о неблагоприятном исходе [1, 2].

Цель исследования. Изучить антиоксидантный статус у пациентов с острыми гастродуоденальными язвами, осложненными кровотечением.

Материал и методы. Проанализированы клинические наблюдения и результаты комплексного обследования 42

пациентов с острыми гастродуоденальными язвами, осложненными кровотечением (основная группа). Мужчин было 29 (69%), женщин – 13 (31%), соотношение М:Ж = 2,2:1. Средний возраст пациентов составил 63 [53; 75] года. По локализации острых язвенных поражений у 2 (4,7%) пациентов они были в двенадцатиперстной кишке, у 6 (14%) – геморрагический гастрит, у 6 (14%) – сочетанное язвенное поражение желудка и двенадцатиперстной кишки, у 29 (67,4%) в желудке. Таким образом, изолированное повреждение слизистой желудка встречалось у 35 пациентов, что составило 81,4%.

Диагностика проводилась на основании жалоб, анамнеза, данных физикального обследования, клинико-лабораторных показателей и результатах эзофагофиброгастродуоденоскопии «Olympus», Япония). Для определения тяжести состояния пациентов использовали шкалу SAPS (Simplified Acute Physiology Score – упрощенная шкала физиологических показателей) (LeGall J. R. et al., 1984). Полученные данные сравнивали с показателями у здоровых людей (контрольная группа, n=30).

Метод определения антиоксидантной активности (АОА) сыворотки крови основан на реакции автоокисления адреналина в щелочной среде, которая, как известно, является супероксид-генерирующей и супероксид-детектирующей системой и позволяет определить анти- и прооксидантные свойства биологических материалов. Измерение накопления продуктов окисления адреналина (адренохрома) проводили по методике Сироты Т. В. в модификации Грицука А. И. [3].

Результаты исследований. У пациентов острые язвы возникали на фоне тяжелой сопутствующей патологии. У 72% пациентов с острыми язвами наблюдалось сочетание двух и более заболеваний. В структуре заболеваний преобладали ишемическая болезнь сердца, хронические неспецифические заболевания легких и цереброваскулярная патология.

У пациентов с острыми язвами имелась выраженная органная дисфункция. Высокое количество баллов по шкале SAPS (6,9 [5-9]) указывало на первичную природу органических расстройств, предшествующих язвообразованию и в последующем кровотечению, которое в свою очередь усугубляло тяжесть состояния пациентов. Проведенный анализ корреляционных

зависимостей не выявил взаимосвязи количества баллов по шкале SAPS и значения шокового индекса, что подтверждает отсутствие зависимости органной дисфункции и тяжести кровопотери у пациентов с острыми гастродуоденальными язвами.

Сыворотка крови здорового человека имела определенный уровень антиоксидантной активности (АОА), равной 56,2%.

Сыворотка крови пациентов основной группы имела выраженную прооксидантную активность (ПОА) -58%. Истощение антиоксидантных свойств сыворотки крови пациентов этой группы и значительное увеличение в ней веществ, обладающих прооксидантной активностью, свидетельствует о некомпенсированном усилении свободнорадикальных процессов, являющихся важным звеном в формировании органной дисфункции.

У пациентов с кровоточащей острой гастродуоденальной язвой корреляционная связь ПОА сыворотки крови и количества баллов по шкале SAPS была средней силы: $r=0,6$ ($p<0,05$). В то же время наблюдалась слабая корреляционная связь ПОА сыворотки крови и значения шокового индекса: $r=0,47$ ($p<0,05$). Из сказанного можно сделать вывод, что у пациентов с острой гастродуоденальной язвой возникший дисбаланс в антипрооксидантной системе связан не столько с тяжестью кровопотери, а в большей степени обусловлен предшествующей органной дисфункцией.

Так, рецидивы кровотечения, по нашим данным, наблюдались у 4 (9,5%) пациентов со значением органной дисфункции по шкале SAPS более 8 баллов. ПОА в группе пациентов с рецидивом кровотечения составила -71,5%. Следует заметить, что все оперированные пациенты входили в эту группу. Всего прооперированы 3 пациента, которым произведена лапаротомия, гастротомия, прошивание кровоточащих язв. Совокупность выраженной ПОА сыворотки крови, превышающей -71,5%, и высоких значений показателя органной дисфункции по шкале SAPS, превышающего 8 баллов, стала причиной смерти 10 (23,8%) пациентов.

Выводы:

1. При острой кровопотере развивается окислительный стресс с истощением системы антиоксидантной защиты организма, что

также проявляется в активации прооксидантной активности сыворотки крови пациента.

2. Сочетание данных отягощающих факторов – неблагоприятный прогностический критерий.

3. На основании полученных данных можно говорить о необходимости раннего применения лекарственных средств, обладающих антиоксидантной активностью, в комплексной терапии пациентов с кровотечением из острых гастродуоденальных язв.

Литература

1. Силина Е. В. Свободнорадикальные процессы у больных с желудочно-кишечными кровотечениями / Е. В. Силина [и др.] // Хирургия. Журнал им Н. И. Пирогова. – 2011. – №12. – С. 64-70.

2. Особенности консервативной терапии пациентов с кровоточащими язвами желудка и двенадцатиперстной кишки / В. А. Ступин [и др.] // Фарматека. – 2011. – № 2. – С. 58-63.

3. Грицук А. И. Оценка состояния антиоксидантной активности слёзной жидкости / А. И. Грицук [и др.] // Биомедицинская химия. – 2006. – Том 52. – № 6. – С.601-608.

Summary

ANTIOXIDANT STATUS OF PATIENTS WITH BLEEDING FROM ACUTE GASTRODUODENAL ULCERS

Zyblev S.L.

The Republican Research Center for Radiation Medicine and Human Ecology, Gomel
S.zyblev@yandex.by

We have studied anti-prooxidant blood activity in patients with acute gastroduodenal ulcers complicated by bleeding. The correlation between the anti-prooxidant blood activity and the number of scores on the SAPS scale, as well as the correlation with the shock index have been determined.

МОНОЦИТАРНОЕ ЗВЕНО ИММУНИТЕТА У РЕЦИПИЕНТОВ С УДОВЛЕТВОРИТЕЛЬНОЙ ФУНКЦИЕЙ ТРАНСПЛАНТАТА ПОЧКИ

Зыблева С. В.

*Республиканский научно-практический центр радиационной медицины
и экологии человека, г. Гомель, Беларусь
zyb-svetlana@yandex.ru*

Введение. Иммунологический мониторинг остается актуальной задачей современной иммунологии в трансплантологии. Влияние множества факторов на иммунный ответ реципиента затрудняет интерпретацию результатов иммунологического обследования. В литературе описана динамика основных субпопуляций лимфоцитов, их прогностическая значимость в развитии отторжения трансплантата. Многие авторы описывают нарушения основ функционирования как системы приобретенного иммунитета, основанной на лимфоцитах, так и реакций врожденного иммунитета, связанных с клетками, входящими в состав мононуклеарно-фагоцитарной системы [1]. С этой точки зрения, изучение особенностей субпопуляционного состава моноцитов периферической крови для оценки тяжести состояния пациентов и прогнозирования течения посттрансплантационного периода представляется логичным и оправданным.

Цель исследования. Оценить уровень $CD14^{+low}$ и $CD14^{+mid/high}$ моноцитов у реципиентов почечного трансплантата с удовлетворительной ранней и поздней функцией донорского органа.

Материал и методы. В исследование включены 76 реципиентов (РПТ), которым выполнена трансплантация почки в хирургическом отделении (трансплантации, реконструктивной и эндокринной хирургии) ГУ «РНПЦРМиЭЧ». Срок посттрансплантационного наблюдения составил 12 месяцев. Ранняя функция почечного трансплантата оценивалась на 7-е сутки после операции по уровню креатинина крови. При показателях ниже 300 мкмоль/л функция считалась первичной (ПФТ), а также при отсутствии показаний к диализу на первой неделе после трансплантации [2]. Удовлетворительная функция почечного трансплантата через год характеризовалась уровнем креатинина крови ниже 150 мкмоль/л, отсутствием эпизодов отторжения

почечного трансплантата и необходимости в диализе на первом году наблюдения [3]. Мужчин было 49 (64,47%), женщин 27 (35,53%). Возраст в изучаемой группе – от 19 до 70 лет, средний возраст (Me) составил $46,89 \pm 1,37$ [44,16; 49,63] года. Все пациенты получали иммуносупрессивную терапию согласно клиническим протоколам трансплантации почки (Приложение 1 к приказу Министерства здравоохранения Республики Беларусь от 05.01.2010 № 6). Пациенты из обследуемой группы получали индукционную терапию моноклональными анти-CD25-антителами. Для определения иммунологических особенностей реципиентов почечного трансплантата применяли методику проточной цитометрии, используя проточный цитофлуориметр Facs Canto II (Becton Dickinson and Company, BD Biosciences, США). Иммунологическое обследование пациентов проводилось перед операцией, на 1, 3, 7, 30, 90, 180 и 360-е сутки после операции. В качестве группы сравнения участвовали 90 практически здоровых пациентов.

Результаты исследований. Выявлено разделение моноцитов на две субпопуляции: $CD14^{+mid/high}$ и $CD14^{+low}$, что представлено в таблице.

Таблица – Показатели содержания $CD14^{+mid/high}$ и $CD14^{+low}$ моноцитов у реципиентов почечного трансплантата (РПТ) и группы сравнения (ГС) (Me [Q25; Q75])

Группы пациентов, сут.	Субпопуляции моноцитов, отн × %	
	$CD14^{+low}$	$CD14^{+mid/high}$
ГС	3,7 [1,9; 5,5]	95,5 [93,6; 98,1]
РПТ ₀	7,50* [6,52; 8,04]	92,50* [91,96; 93,48]
РПТ ₁	3,2** [2,28; 3,74]	96,8** [96,26; 97,72]
РПТ ₇	5,57* [4,87; 6,39]	94,43** [93,61; 95,13]
РПТ ₃₀	6,08** [5,48; 7,13]	93,92** [92,87; 94,52]
РПТ ₉₀	6,68** [6,21; 7,57]	93,32** [92,43; 93,79]
РПТ ₁₈₀	4,48** [3,43; 5,09]	95,52** [94,91; 96,58]
РПТ ₃₆₀	4,79** [3,15; 7,0]	95,21** [93,0; 96,85]

Примечания:

- * – $p < 0,05$ относительно показателей группы сравнения;
- ** – $p < 0,05$ по сравнению с дооперационным периодом наблюдения

В группе РПТ до трансплантации уровень $CD14^{+low}$ был значимо выше, чем в группе сравнения ($p_{Mann-WhitneyUTest} = 0,0003$).

Однако уже в 1-е сутки отмечено снижение до результатов группы сравнения ($p_{1\text{Mann-WhitneyUTest}}=0,289$). Относительно дооперационного уровня также наблюдалось значимое снижение $\text{CD14}^{\text{+low}}$ моноцитов на 1-е сутки ($p_{0,1\text{WilcoxonMatchedPairsTest}}=0,001$). Выявлен постепенный рост данной субпопуляции в течение года с некоторым снижением на 180 и 360-е сутки, но не ниже относительно группы сравнения ($p_{180\text{Mann-WhitneyUTest}}=0,72$; $p_{360\text{Mann-WhitneyUTest}}=0,279$). Кроме того, уровень дооперационных значений $\text{CD14}^{\text{+low}}$ в течение года так и не был достигнут ($p_{0,360\text{WilcoxonMatchedPairsTest}}=0,023$).

В результате исследования выявлено, что предтрансплантационный уровень субпопуляции $\text{CD14}^{\text{+mid/high}}$ значимо ниже относительно группы сравнения ($p_{0\text{Mann-WhitneyUTest}}=0,0005$). Но уже к 1-м суткам после операции достиг значений группы сравнения и сохранялся на протяжении 3-х месяцев. Относительно дооперационного уровня наблюдался значимый рост $\text{CD14}^{\text{+mid/high}}$ моноцитов на 1-е сутки ($p_{0,1\text{WilcoxonMatchedPairsTest}}=0,001$) с постепенным снижением в течение года, однако уровень дооперационных значений также не был достигнут ($p_{0,1\text{WilcoxonMatchedPairsTest}}=0,001$, $p_{0,7\text{WilcoxonMatchedPairsTest}}=0,0003$, $p_{0,30\text{WilcoxonMatchedPairsTest}}=0,003$, $p_{0,90\text{WilcoxonMatchedPairsTest}}=0,028$, $p_{0,180\text{WilcoxonMatchedPairsTest}}=0,005$, $p_{0,360\text{WilcoxonMatchedPairsTest}}=0,001$).

Выводы. В первые 3 месяца после трансплантации почки выявлен значимый дисбаланс $\text{CD14}^{\text{+low}}$ и $\text{CD14}^{\text{+mid/high}}$ субпопуляций моноцитов. К шести месяцам наблюдения отмечена нормализация процентного соотношения $\text{CD14}^{\text{+}}$ клеток. Однако характерен тот факт, что показатели $\text{CD14}^{\text{+low}}$ и $\text{CD14}^{\text{+mid/high}}$, начиная с 6-го месяца и до года, не имели значимых отличий от показателей группы сравнения.

Литература

1. Субпопуляции моноцитов у здоровых лиц и у пациентов с сепсисом / А. А. Калашникова [и др.] // Медицинская иммунология. – 2018. – Том 20, № 6. – С. 815-824.
2. Neutrophil Gelatinase Associated Lipocalin Is an Early and Accurate Biomarker of Graft Function and Tissue Regeneration in Kidney Transplantation from Extended Criteria Donors / V.Cantaluppi [et all.] // PLoS ONE. – 2015. – Vol. 10, № 6. – P. 1–19.
3. Operational Tolerance in Kidney Transplantation and Associated Biomarkers: Serendipitous tolerance in kidney recipients / A. Massart [et all.] // Clinical & Experimental Immunology. – 2017. – Vol. 189, № 2. – P. 138-157.

Summary

**MONOCYTIC IMMUNE COMPONENT IN RECIPIENTS WITH
SATISFACTORY RENAL GRAFT FUNCTION**

Zybleva S.V.

*The Republican Research Center for Radiation Medicine and Human
Ecology, Gomel
zyb-svetlana@yandex.ru*

The study has compared the phenotype peculiarities of monocyte subpopulations in patients after kidney transplantation. The correlation between the monocyte count in the peripheral blood and indices reflecting the function of the renal transplant with a satisfactory course of the post-transplant period has been determined.

**РОЛЬ ФАРМАКОНАДЗОРА В МОНИТОРИНГЕ
БЕЗОПАСНОСТИ ПРИМЕНЕНИЯ НЕСТЕРОИДНЫХ
ПРОТИВОВОСПАЛИТЕЛЬНЫХ ПРЕПАРАТОВ**

Ильницкий С. С., Петрушев Е. А.

*Федеральное государственное бюджетное образовательное
учреждение высшего образования "Северный государственный
медицинский университет" Министерства здравоохранения
Российской Федерации, г. Архангельск, Россия
petru3.egor88@gmail.com*

Введение. Нестероидные противовоспалительные препараты (НПВП) – одна из наиболее часто назначаемых групп лекарственных средств. Более 30 миллионов человек в мире ежедневно принимают НПВП, причем 40% этих пациентов имеют возраст старше 60 лет. По прогнозам, это количество будет только возрастать по мере общего старения населения развитых стран, и, соответственно, увеличения распространенности заболеваний, при которых применяются НПВП. В первую очередь это дегенеративные заболевания опорно-двигательного аппарата и ревматические поражения мягких тканей, что имеет не только медицинское, но и большое социальное значение, т. к. приводит к длительной потере трудоспособности и инвалидности [1-3]. Важнейшим вопросом современной фармакотерапии является не только эффективность, но и безопасность лекарственных средств. В

структуре нежелательных лекарственных реакций (НЛР) значительную долю занимают НЛР, вызванные применением НПВП. Так, каждая 12-я реакция обусловлена приемом препаратов этой группы. Нежелательная лекарственная реакция (НЛР) – патологическая реакция, неожиданно возникающая при применении обычных доз препаратов [4-5].

Цель исследования. Оценить степень тяжести НЛР, развившихся на фоне терапии разными НПВП.

Материал и методы. Проанализировано 315 сообщений о развитии НЛР на фоне терапии НПВП. В качестве источника информации использована база данных Росздравнадзора «Фармаконадзор» в период с 01.01.2015 по 30.06.2019 г. Критерием включения было наличие в сообщении информации о применении НПВП с нарушением предписания в инструкции по медицинскому применению (ИМП) – так называемое «off-label».

Результаты исследований. Большинство НЛР относились к типу В (дозонезависимые реакции, не связанные с механизмом действия) – 62,1%. Реакции типа А (реакции, зависящие от дозы и связанные с механизмом действия) отмечали 25,3% пациентов, типа F (отсутствие эффекта) – 12,6% пациентов.

НЛР при оценке по шкале LDS варьировались от легкой степени тяжести до летального исхода. В большинстве случаев – в 53,6% – они соответствовали легкой степени тяжести. Реакции средней степени тяжести зафиксированы у 17,8% пациентов, тяжелой – у 3,0%.

Методом Карча-Лазаньи установлено, что большинство НЛР (77,3%) были признаны реакциями средней степени тяжести. Доля реакции легкой степени тяжести составила 15,2%, тяжелой степени – 8,0%. Наибольшее количество реакций были обусловлены приемом ибупрофена – 35,6% случаев; 15,5% пациентов сообщили о НЛР на фоне терапии диклофенаком натрия и его комбинациями, 9,8% – парацетамолом и его комбинациями, 3,2% – нимесулидом.

Выводы. Установлено, что наиболее часто НЛР обусловлены приемом ибупрофена, диклофенак натрия, парацетамол и нимесулид также ассоциировались со значительной долей НЛР. Большинство реакций являются аллергическими (типа В), что указывает на необходимость владеть способами купирования таких осложнений.

Литература

1. Shareef J. Assessment of Drug related problems in patients with cardiovascular diseases in a Tertiary care teaching hospital / J. Shareef, B. Sandeep, C. S. Shastry // Journal of Pharmaceutical Care. – 2014. – Vol. 2, № 2. – P. 71–76.
2. Гладких Ф. В., Степанюк Г. І. Сучасні підходи до безперервного аудиту в системі фармаконагляду Вінницької області (підсумки 2016 року) / Ф. В. Гладких, Г. І. Степанюк // Траєкторія науки: міжнародний електронний науковий журнал. – 2017. – № 12. – С. 5014–5022. – DOI: <http://dx.doi.org/10.22178/pos.29-10>
3. Степанюк Н. Г. Характеристика ускладнень фармакотерапії на тлі застосування НПЗЗ за даними спонтанних карт-повідомлень у Подільському регіоні за 2013 рік / Н. Г. Степанюк, Ф. В. Гладких // Клінічна фармація, фармакотерапія та медична стандартизація. – 2014. – № 1-2 (22–23). – С. 30–34. – Режим доступа: http://clinpharm.meduniv.lviv.ua/FILES/kffms_1-2_2014/all.pdf
4. Степанюк Н. Г. Аналіз побічних реакцій на тлі застосування анальгетиків-антипіретиків та нестероїдних протизапальних засобів, які призначались лікарями закладів охорони здоров'я Подільського регіону у 2015 році / Н. Г. Степанюк, Ф. В. Гладких, О. В. Басараб // Галицький лікарський вісник. – 2016. – № 2 (23). – С. 60–63. – Режим доступа: <http://ojs.ifnmu.edu.ua/index.php/gmj/article/view/545>
5. Pfister B. Drug-related problems and medication reviews among old people with dementia / B. Pfister, J. Jonsson, M. Gustafsson // BMC Pharmacol Toxicol. – 2017. – № 8. – P. 52. <https://doi.org/10.1186/s40360-017-0157-2>.

Summary

ROLE OF PHARMACO-SURVEILLANCE IN SAFETY MONITORING OF USE OF NON-STEROID ANTI-INFLAMMATORY DRUGS

Ilnickiy S. S., Petrushev E. A

Federal State Budget Educational Institution of Higher Education

“Northern State Medical University” of the Ministry of Healthcare of the Russian Federation, Arkhangelsk

petru3.egor88@gmail.com

In the structure of undesirable drug reactions, a significant proportion is occupied by undesirable drug reactions caused by the use of non-steroidal anti-inflammatory drugs. So, every twelfth reaction is due to the intake of drugs of this group. An undesirable drug reaction is a pathological reaction that suddenly occurs when using conventional doses of drugs.

THE RELATIVE RISK RATES OF THYROID CANCER MORTALITY AND MORBIDITY AMONG THE POPULATION FROM POMERANIAN VOIVODESHIP (POLAND)

*Olha Kasiyan¹, Halyna Tkachenko², Svitlana Yurchenko¹,
Iwona Jazewicz³*

¹*Danylo Halytsky Lviv National Medical University, Lviv, Ukraine*

²*Department of Biology, Institute of Biology and Earth Sciences, Pomeranian
University in Slupsk, Poland; e-mail: tkachenko@apsl.edu.pl*

³*Institute of Socio-Economic Geography and Tourism, Pomeranian
University in Slupsk, Poland*

Introduction. Thyroid cancers are one of the few cancers that are more common in women than men. In Poland, the number of cases of thyroid cancer in 2010 was 2192, of which about 384 in men and 1808 in women. The thyroid neoplasms constitute 0.5% of cases in men and 2.6% in women. Over the past two decades, the number of cases has increased significantly. The risk of disease increased for both sexes until the seventh decade of life, after which it decreased. Starting from the 90s of the XX century, a sharp increase in the incidence of women is visible and slightly slower in men population. The incidence among both sexes in all age groups duplicates trends observed in the entire population: faster growth in women, especially since the beginning of the 1990s (Wojciechowska and Didkowska, 2010, 2016; <http://onkologia.org.pl>).

The variation within Europe in the survival rates of patients with thyroid cancer is similar to that found for many other cancers, with certain countries characterized by higher than average (or lower than average) survival rates for most cancer types. This means that prognostic factors specific to thyroid cancer do not necessarily explain the observed differences in country-specific survival rates (Teppo and Hakulinen, 1998). The most likely cause of the rise in the incidence of thyroid cancer is increasing detection due to incidental findings through advanced imaging and the systematic diagnostic exploration of small thyroid nodules (Jegerlehner et al., 2017).

Aim of the study. Our aim was, therefore, to compare recent secular trends in the morbidity and mortality rates of thyroid cancer among the children and adult populations of Pomeranian Voivodeship in 2000 and 2016. Our hypothesis was that an increase in the incidence of

thyroid cancer would provide indirect evidence for the increase in the relative risk rates.

Materials and methods. In order to study both the morbidity and mortality of thyroid cancer among different population groups in the Pomeranian Voivodeship regions in 2000 and 2016, a database of the Cancer Registry of the Republic of Poland for 2000–2016 was analyzed [Wojciechowska and Didkowska, 2010, 2016; <http://onkologia.org.pl>]. The population was considered according to the Statistical Information Center [<https://stat.gov.pl/>].

The relative risk (RR) calculations at confidence intervals (CI) and the statistical significance (p) was performed using the WHO-recommended Epi Info program, using absolute disease values. Mathematical processing of the obtained results was performed using the standard statistical package STATISTICA 8.0 software (StatSoft, Krakow, Poland).

Results and discussion. The intensive rates of thyroid cancer morbidity and mortality among different age groups of the Pomeranian Voivodeship regions in 2000 and 2016 were analyzed. The increase in the incidence rates among the female population was observed (from 11.31 per 100,000 persons in 2000 to 32.04 per 100,000 persons in 2016). Among the child population of the voivodeship, the incidence has increased slightly among girls. The adult mortality rate remained unchanged during the study period and was not recorded among other populations.

The highest relative risk (RR) rate of thyroid cancer morbidity from 2000 to 2016 was noted among the female population of the Pomeranian Voivodeship (RR = 2.77, $p < 0.0001$). Among the male population, there was also an increase in RR of the thyroid cancer morbidity during the study period (in Pomeranian Voivodeship: RR = 1.68, $p = 0.0214$).

The morbidity of thyroid cancer among girls remains unchanged (RR = 1.02, $p = 0.9768$). In the other groups of the children population, the risk of thyroid cancer mortality is not observed.

Our study demonstrates a large rise in the incidence of thyroid cancer in 2016 compared to 2000. A significant decrease in thyroid cancer mortality among men was observed. These findings suggest that a substantial and growing part of the detected thyroid cancers are over-diagnosed and over-treated. The slight decrease in thyroid cancer-

specific mortality over time may reflect improved treatment strategies, thanks to e.g. to refined surgical techniques with a lower complication rate and better post-surgical care (Jegerlehner et al., 2017).

Our results are consistent with several studies showing a rapidly increasing thyroid cancer incidence without a substantial change or a slight decrease in mortality in various countries, as well as in different regions of Poland. For example, Zonenberg and co-workers (2009) have evaluated the descriptive epidemiological features of incident thyroid cancers diagnosed among the residents of the North-Eastern Region of Poland between 1996 and 2007. Thyroid cancer was more frequently diagnosed in women (81.9%) than in men. The majority of all cases were diagnosed in the age group of 46–55 years. The commonest histological type was papillary carcinoma (73.3%). Follicular type accounted for 11.4%, oxyphilic – 6.4%, medullar – 4.0%, anaplastic – 3.1% and other types – for 1.8% of cases. The increased incidence of thyroid cancers observed in a 12-year period is most likely explained by the improvement in diagnostic techniques. Iodine deficiency seems to be a less probable factor in view of the predominance of the papillary type of carcinoma (Zonenberg et al., 2009).

Conclusions. The detailed analysis of the development of thyroid cancer among the different age groups in the Pomeranian Voivodeship showed that there is a tendency for the increase of thyroid cancer risk among adults, especially women and men. Both thyroid cancer morbidity and mortality are occurring mainly at the expense of the female population. These trends, combined with overall high mortality and high 15-year increase of morbidity, raise concerns on the extent to which the situation may be taking place. Further research is needed, quantifying the importance of the most likely determinants of these trends as well as the extent and potential effects of diagnosis and treatment in these settings.

References

1. Jegerlehner, S. Overdiagnosis and overtreatment of thyroid cancer: A population-based temporal trend study / S. Jegerlehner, J.L. Bulliard, D. Aujesky, N. Rodondi, S. Germann, I. Konzelmann, A. Chiolerio; NICER Working Group // PLoS One. – 2017. – 12(6). – P. e0179387.
2. Teppo, L. Variation in the survival of adult patients with thyroid cancer in Europe. EURO CARE Working Group / L. Teppo, T. Hakulinen // Eur. J. Cancer. – 1998. – 34(14 Spec No). – P. 2248-2252.

3. Wojciechowska, U., Didkowska, J. 2010. Zachorowania i zgony na nowotwory złośliwe w Polsce. Krajowy Rejestr Nowotworów, Centrum Onkologii - Instytut im. Marii Skłodowskiej-Curie. <http://onkologia.org.pl/raporty/> dostęp z dnia 14.08.2019.

4. Wojciechowska, U., Didkowska, J. 2016. Zachorowania i zgony na nowotwory złośliwe w Polsce. Krajowy Rejestr Nowotworów, Centrum Onkologii - Instytut im. Marii Skłodowskiej-Curie. <http://onkologia.org.pl/raporty/> dostęp z dnia 15.08.2019.

5. Zonenberg, A. The incidence of thyroid cancer in the North-Eastern Region of Poland: a twelve-year follow-up / A. Zonenberg, B. Telejko, A. Nikolajuk, K. Siewko, L. Zimnoch, J. Dadan, I. Kinalska, M. Górka // *Endocrine Abstracts*, 11th European Congress of Endocrinology, Istanbul, Turkey, 25 - 29 Apr 2009, European Society of Endocrinology, 20: P121 (available <https://www.endocrine-abstracts.org/ea/0020/ea0020p121>).

Summary

THE RELATIVE RISK RATES OF THYROID CANCER MORTALITY AND MORBIDITY AMONG THE POPULATION FROM POMERANIAN VOIVODESHIP (POLAND)

Olha Kasiyan¹, Halyna Tkachenko², Svitlana Yurchenko¹, Iwona Jazewicz³

¹Danylo Halytsky Lviv National Medical University, Lviv, Ukraine

²Department of Biology, Institute of Biology and Earth Sciences, Pomeranian University in Slupsk, Poland; e-mail: tkachenko@apsl.edu.pl

³Institute of Socio-Economic Geography and Tourism, Pomeranian University in Slupsk, Poland

The objective of our study was to compare recent secular trends in the morbidity and mortality rates of thyroid cancer among the children and adult populations of Pomeranian Voivodeship in 2000 and 2016. The increase in the incidence rates among the female population in the Pomeranian Voivodeship was observed (from 11.31 in 2000 to 32.04 per 100,000 persons in 2016). Among the child population, the incidence has increased slightly among girls. The adult mortality rate remained unchanged during the study period and was not recorded among other populations. The relative risk of thyroid cancer morbidity was increased among the adult population of Pomeranian Voivodeship. Both thyroid cancer morbidity and mortality are occurring mainly at the expense of the female population. These trends, combined with overall high

mortality and high 15-year increase of morbidity, raise concerns on the extent to which the situation may be taking place.

ДИАГНОСТИЧЕСКАЯ ЗНАЧИМОСТЬ ЭЛАСТАЗНОЙ АКТИВНОСТИ СЫВОРОТКИ КРОВИ И РОТОВОЙ ЖИДКОСТИ ПАЦИЕНТОВ С ИНФЕКЦИОННО-ВОСПАЛИТЕЛЬНЫМИ ПРОЦЕССАМИ ЧЕЛЮСТНО-ЛИЦЕВОЙ ОБЛАСТИ

Кабанова А. А.

*Витебский государственный ордена Дружбы народов медицинский университет, Витебск, Беларусь
arinakabanova@mail.ru*

Введение. Своевременная диагностика одонтогенных инфекционно-воспалительных заболеваний челюстно-лицевой области и шеи имеет первостепенное значение для оказания эффективной медицинской помощи данной категории пациентов. Для диагностики инфекционно-воспалительных процессов (ИВП) челюстно-лицевой области и шеи широко используются дополнительные методы обследования, первенство из которых принадлежит лучевым методам. Классическое лабораторное исследование воспалительных заболеваний челюстно-лицевой области и шеи базируется на анализах крови и анализе мочи. Несмотря на разнообразие методов исследования и успехи, достигнутые в оказании помощи пациентам с одонтогенными ИВП челюстно-лицевой области и шеи, число диагностических ошибок, по данным современных авторов, остается на достаточно высоком уровне [2]. В связи с этим совершенствование существующих способов и разработка новых эффективных методов диагностики одонтогенной инфекции не утратила своей актуальности.

Цель исследования. Определить диагностическую значимость уровня активности эластазы сыворотки крови и ротовой жидкости пациентов с ИВП челюстно-лицевой области разной распространенности.

Материал и методы. Проведено комплексное обследование 198 пациентов с ИВП челюстно-лицевой области, проходивших

стационарное лечение в отделении челюстно-лицевой хирургии УЗ «Витебская областная клиническая больница» в период с 2010 по 2018 гг.

Группа пациентов была разделена на 4 подгруппы: 1-я подгруппа (40 чел.) – пациенты с острым гнойным одонтогенным периоститом челюсти, 2-я подгруппа (96 чел.) – пациенты с острым гнойным одонтогенным остеомиелитом челюсти, осложненным флегмоной одного клетчаточного пространства, 3-я подгруппа (36 чел.) – пациенты с острым гнойным одонтогенным остеомиелитом челюсти, осложненным флегмоной 2-4 клетчаточных пространств, 4-я подгруппа (26 чел.) – пациенты с острым гнойным одонтогенным остеомиелитом нижней челюсти, осложненным флегмоной дна полости рта. Группу эталона составили 50 практически здоровых лиц.

Объектом лабораторных исследований была кровь и ротовая жидкость. Кровь забирали натощак путем пункции из локтевой вены дважды: при первичном обращении пациента в стационар (проба 1) и при завершении лечения (проба 2). Ротовую жидкость забирали в стерильные пробирки: 1-е исследование – в день поступления в стационар перед проведением ПХО инфекционно-воспалительного очага, 2-е исследование – на следующие сутки после операции, 3-е исследование – на 4-е сутки лечения, 4-е исследование – в день выписки пациента из стационара. Определение активности эластазы в крови и ротовой жидкости проводили по модифицированной методике, предложенной Гюн-Хван и Ким Хен [1]. Статистическую обработку данных проводили с использованием пакета прикладных программ Excel и Statistica 10.0.

Результаты исследования и их обсуждение. Анализ уровня активности эластазы сыворотки крови пациентов с ИВП челюстно-лицевой области и шеи позволило выявить статистически значимое повышение данного показателя относительно здоровых лиц как в первый, так и в завершающий день лечения. Уровень эластазной активности в группе эталона составил 0,09 (0,04-0,17) пкт, в то время как у пациентов в пробе 1 – 0,12 (0,1-0,15) пкт, $p=0,006$, в пробе 2 – 0,11 (0,09-0,15) пкт, $p=0,01$. Пациенты с острым гнойным одонтогенным периоститом челюсти характеризовались уровнем активности эластазы, не имеющим статистически значимых

отличий ($p > 0,05$) от показателя у здоровых лиц как в начале лечения, так и при его завершении: проба 1 – 0,1 (0,08-0,11) пкт, проба 2 – 0,11 (0,09-0,13) пкт, эталон – 0,09 (0,04-0,17) пкт. Пациенты с острым одонтогенным остеомиелитом челюсти, осложненным флегмоной одного клетчаточного пространства, так же как и пациенты с периоститом, имели уровень активности эластазы сыворотки крови как у здоровых лиц ($p > 0,05$): проба 1 – 0,12 (0,1-0,14) пкт, проба 2 – 0,12 (0,08-0,14) пкт. При развитии острого одонтогенного остеомиелита челюсти, осложненного флегмоной 2-4 клетчаточных пространств, отмечено статистически значимое повышение активности эластазы в сыворотке крови в первый день наблюдения: 0,13 (0,12-0,16) пкт, эталон – 0,09 (0,04-0,17) пкт, $p = 0,01$. В завершающий день лечения активность эластазы пациентов данной подгруппы снижалась до 0,11 (0,08-0,12) пкт и не имела отличий от показателей у здоровых лиц ($p > 0,05$). У пациентов с острым одонтогенным остеомиелитом челюсти, осложненным флегмоной дна полости рта, уровень активности эластазы сыворотки крови был выше, чем у здоровых лиц, как в начале, так и при завершении лечения. Соответственно: эталон – 0,09 (0,04-0,17) пкт, проба 1 – 0,21 (0,16-0,25) пкт, $p = 0,0001$, проба 2 – 0,2 (0,15-0,22), $p = 0,0009$.

Активность эластазы ротовой жидкости контрольной группы пациентов с ИВП челюстно-лицевой области и шеи одонтогенной этиологии, получавших стандартный комплекс лечебных мероприятий, составила: 1-е сутки лечения – 0,004 (0,002-0,01) пкт, 2-е сутки лечения – 0,005 (0,004-0,008) пкт, 4-е сутки лечения – 0,001 (0,0006-0,003) пкт, завершение лечения – 0,0004 (0,0001-0,003) пкт. Данный показатель в группе эталона составил 0,0007 (0,0002-0,002) пкт. В первые двое суток (проба 1 и проба 2) у пациентов активность эластазы РЖ была статистически значимо выше, чем у здоровых лиц: $p = 0,00000001$. У пациентов всех четырех подгрупп, получавших стандартный комплекс лечебных мероприятий, отмечено статистически значимое повышение эластазной активности РЖ в 1 и 2-е сутки лечения относительно показателей здоровых лиц ($p < 0,05$). В подгруппе 3 и 4 с острым одонтогенным остеомиелитом, осложненным флегмоной более двух клетчаточных пространств, выявлен статистически значимо более высокий уровень активности эластазы и на 4-е сутки лечения.

При этом при завершении стандартного лечения у пациентов с острым одонтогенным остеомиелитом, осложненным флегмоной ДПР, данный показатель был статистически значимо ниже уровня активности эластазы группы эталона ($p=0,04$).

Выводы. Таким образом, ИВП челюстно-лицевой области и шеи одонтогенной этиологии сопровождаются повышением уровня активности эластазы РЖ у пациентов всех подгрупп с разной распространенностью процесса, тогда как активность эластазы сыворотки крови повышена только у пациентов с острым одонтогенным остеомиелитом, осложненным флегмонами более двух клетчаточных пространств (подгруппы 3 и 4). Уровень активности эластазы РЖ к моменту завершения стационарного лечения не отличается от аналогичного показателя группы эталона, за исключением подгруппы 4 – у пациентов с флегмонами ДПР исследуемый показатель сохраняется повышенным в течение более длительного срока (до 4-х суток включительно), а при завершении лечения достигает значительно более низкого уровня, чем значения здоровых лиц ($p<0,05$), что может быть обусловлено истощением выделяемой нейтрофилами эластазы на фоне ее длительной активной продукции при тяжелом воспалительном процессе. Полученные результаты свидетельствуют о высокой диагностической и прогностической значимости определения уровня активности эластазы сыворотки крови и ротовой жидкости при развитии ИВП челюстно-лицевой области и шеи.

Литература

1. Кабанова, А. А. БАПНА-амидазная и эластазная активность ротовой жидкости пациентов с гнойно-воспалительными заболеваниями челюстно-лицевой области /А. А. Кабанова, А. И. Гончарова, С. А. Кабанова // Стоматолог. – 2014. – №2 (13). – С. 7-10.
2. Evolution of clinical manifestations of neck and face due to cutaneous leishmaniasis resulting in diagnostic errors / V. [Zatonskikh \[et al.\]](#)// Iranian J. Publ. Health. – 2013. – Vol. 42, №12. – P. 1472-1475.

Summary

**DIAGNOSTIC SIGNIFICANCE OF THE ELASTASIC
ACTIVITY OF THE SERUM OF THE BLOOD AND THE ORAL
LIQUID OF PATIENTS WITH INFLAMMATORY PROCESSES
OF THE MAXILLOFACIAL REGION AND NECK**

Kabanova A. A.

*Vitebsk State Medical University
arinakabanova@mail.ru*

The purpose of the study is to determine the diagnostic significance of the elastase activity of blood serum and oral fluid of patients with inflammatory processes in the maxillofacial region of various severity. The results indicate a high diagnostic and prognostic significance of determining the elastase activity of blood serum and oral fluid in the development of infectious and inflammatory diseases of the maxillofacial area and neck.

**УРОВНИ ОБЩИХ ГОМОЦИСТЕИНА И ГЛУТАТИОНА В
ПЛАЗМЕ КРОВИ КРЫС ПРИ ДЕФИЦИТЕ ТАУРИНА**

Кежун С. Р., Дорошенко Е. М.

*Гродненский государственный университет имени Янки Купалы, г.
Гродно, Беларусь
stas.kezhun.97@mail.ru*

Введение. Таурин (Tau) – конечный продукт обмена серосодержащих аминокислот. Тау образует конъюгаты с желчными кислотами – таурохолаты и тауродезоксихолаты. Недостаточность Тау встречается при сосудистых заболеваниях, сахарном диабете у людей [1] и пищевой недостаточности у кошек. Дефицит Тау может наблюдаться при хронической сердечной недостаточности. Глутатион (GSH) определяет редокс-баланс клеток и является антиоксидантом. При повышении уровня гомоцистеина (Hcy) повышается вероятность повреждения эндотелия сосудов и образования атеросклеротических бляшек [2]. Поэтому актуально исследовать влияние недостаточности Тау на уровни Hcy и GSH в плазме крови.

Цель исследования. Исследовать влияние недостаточности Тау, вызванной введением бета-аланина (β -Ala), на уровни общих Нсу и GSH.

Материал и методы. Дефицит Тау вызывали потреблением 3% раствора β -Ala подопытными животными в качестве единственного источника жидкости в течение 3 недель.

В эксперименте использовано 20 белых крыс-самцов гетерогенной популяции массой тела в начале эксперимента 100-120 г. До начала эксперимента подопытные животные находились на стандартном рационе вивария. Перед началом эксперимента крыс рандомизировали по массе тела.

Животным опытной группы воду заменяли 3% раствором β -Ala, который готовили ежедневно. Также в этой группе ежедневно фиксировали объем потребляемой жидкости. По значениям объема рассчитывали суточную дозу β -Ala.

Забор крови осуществляли с гепарином в роли антикоагулянта. Сразу после забора проводилось центрифугирование для осаждения форменных элементов. Условие центрифугирования: 3000 об/мин в течение 10 минут. Таким образом отделяли плазму крови. В итоге получившиеся образцы плазмы крови использовали для определения Тау.

Пробы смешивали в соотношении 1:1 с 1 М раствором HClO_4 , содержащим 1 мМ норвалина, а также 50 мг/л ЭДТА, 50 мг/л $\text{Na}_2\text{S}_2\text{O}_5$. Далее пробы центрифугировали. Условия центрифугирования: при температуре 4°C в течение 15 минут при 16000 g. Затем супернатант отсасывали и хранили при температуре -18°C не более 15 суток. Разморозив экстракты, их повторно центрифугировали, супернатант в случае выпадения осадка отделяли. Полученные в итоге хлорнокислые экстракты использовались для анализа.

Для определения воспользовались методом обращеннофазной ВЭЖХ с градиентным элюированием продуктов предколоночной дериватизации аминокислот с о-фталевым альдегидом и бета-меркаптопропионовой кислотой [3]. При исследовании использовали прибор ВЭЖХ Agilent 1200.

Получение данных и обработка хроматограмм осуществлялись программой Agilent Chem Station B04.01, расчёт

производился по внутреннему стандарту с использованием одноуровневой калибровки. [3]

Для определения гомоцистеина и глутатиона предколоночная дериватизация SH-содержащих соединений. После дериватизации было проведено разделение полученных образцов методом обращеннофазной ВЭЖХ с изократическим элюированием [4]. Для высвобождения связанных с белками тиолов и их восстановления из дисульфидов использовали ТСЕР. Для этого применялась модификация процедуры, описанной в [5].

Статистическая обработка результатов исследования осуществлялась с помощью «STATISTICA 10.0». В качестве метода анализа использовался t-тест для независимых групп. Нулевая гипотеза отвергалась на уровне значимости $p < 0,05$. Результаты сравнения проверены U-критерием Манна-Уитни.

Результаты и их обсуждение. Все полученные нами данные подчинялись закону нормального распределения. Животным опытной группы – группы недостаточности Тау – ежедневно в течение трех недель давали 3% раствор бета-аланина в качестве единственного источника жидкости. Суточная доза бета-аланина составила 2-2,4 г.

Результаты определения содержания таурина, общих глутатиона и гомоцистеина в плазме крови крыс представлены в таблице 1.

Таблица 1. – Влияние β -Ala на уровни Тау, общих GSH и Hcy в плазме крови крыс при вызванной β -Ala недостаточности Тау, мкмоль/л ($M \pm SD$)

Показатели	Группа контроля, n=10	Группа недостаточности Тау, n=10
Тау	676,31 \pm 156,58	463,63 \pm 111,43 *
Hcy	5,60 \pm 1,20	6,92 \pm 1,30 *
GSH	56,14 \pm 8,63	55,19 \pm 5,24

Примечание – * – при $p < 0,05$ – при сравнении показателей между группами

Как видно из данных, представленных в таблице 1, уровень таурина в группе недостаточности таурина был ниже по сравнению с группой контроля ($p < 0,05$). Уровень гомоцистеина, напротив, стал выше ($p < 0,05$) в группе недостаточности таурина по сравнению с группой контроля, по уровню глутатиона анализируемые группы не

различались ($p > 0,05$). Таким образом, недостаточность таурина, моделируемая введением его структурного аналога и антагониста в отношении системы транспорта в ткани, способна приводить к нерезко выраженной гипергомоцистеинемии. Возможно, синтез эндогенного таурина ингибируется на уровне превращений гомоцистеина, в то время как суммарная мощность трансметилирования с участием S-аденозилметионина не претерпевает существенных изменений.

Выводы:

1. Бета-аланин снижает уровень таурина в плазме крови крыс при его введении *per os* в течение трех недель в качестве единственного источника жидкости

2. Недостаточность таурина вызывает гипергомоцистеинемию. На уровень общего глутатиона недостаточность таурина существенного влияния не оказывает.

Литература

1. McManus, M. L. Regulation of cell volume in health and disease/ M. L. McManus, K. B. C. Hurchwell, K. S. Trange // N. Engl. J. Med. – 1995. – Vol. 333 (19). – P. 1260-1266.

2. Клинические аспекты гипергомоцистеинемии: монография / В. А. Снежицкий, В. М. Пырочкин, В. В. Спас, Е. М. Дорошенко, Т. Ю. Егорова, Е. В. Мирончик, А. В. Наумов, Р. Э. Якубцевич, Е. В. Зуховицкая, А. Р. Плоцкий, А. В. Пырочкин, Т. В. Янушко, Ю. С. Володько, Д. В. Пицко, В. А. Предко, М. С. Дешко / подобщей ред. В. А. Снежицкого, В. М. Пырочкина. – Гродно: ГрГМУ, 2011. – 292 с.

3. Дорошенко, Е. М. Структура пула свободных аминокислот и их производных плазмы крови у пациентов с ишемической болезнью сердца и проявлениями хронической сердечной недостаточности / Е. М. Дорошенко, В. А. Снежицкий, В. В. Лелевич // Журнал Гродненского государственного медицинского университета. – 2017. – Т. 15, № 5. – С. 551-556.

4. Новгородская, Я. И. Уровни Hcy и показатели пула свободных серосодержащих соединений в плазме крови и печени крыс на фоне острого введения морфина гидрохлорида в различных дозах / Я. И. Новгородская, Е. М. Дорошенко,

5. М. Н. Курбат // Журн. ГрГМУ. – 2014. – Т. 45, № 1. – С. 47-50.

6. Gilfix, B. M. Novel reductant for determination of Total Plasma Homocysteine / B. M. Gilfix, D. W. Blank, D. S. Rosenblatt // Clin. Chem. – 1997. – Vol. 43 (4). – P. 687

Summary

**LEVELS OF TOTAL HOMOCYSTEIN AND GLUTATHION IN
RAT BLOOD PLASMA AT TAURINE DEFICIENCY**

Doroshenko Ye.M., Kezhun S.R.

*Grodno State University Named Yanka Kupala
stas.kezhun.97@mail.ru*

Summary. We studied the effect of taurine deficiency created by the administration of β -Ala to rats on the levels of total Hcy and GSH in blood plasma. We found taurine deficiency to increase blood level of Hcy while GSH level did not change.

**ДИАГНОСТИКА И ЛЕЧЕНИЕ КИСТОЗНЫХ
ОБРАЗОВАНИЙ ПОЧЕК У ДЕТЕЙ**

Ковальчук-Болбатун Т. В., Рогульский А. Г.

*Гродненский государственный медицинский университет,
г. Гродно, Беларусь
7881632@mail.ru*

Введение. Кисты почки занимают первое место среди всех пороков развития почек, обусловлены как генетическими заболеваниями, так и факторами, нарушающими внутриутробное развитие плода. С широким внедрением в практику современных информативных методов (УЗИ, радиоизотопная сцинтиграфия, внутривенная урография, МРТ) диагностики значительно возросло число пациентов детского возраста с кистозными образованиями почек [1,2].

Цель исследования. Изучить варианты наиболее часто встречающихся кистозных образований почек, клинику, диагностику и лечение.

Материал и методы исследования. Проведен анализ клинической картины и результатов диагностики кистозных образований почек у 39 детей, находившихся на лечении в Гродненской областной детской клинической больнице, за последние 5 лет. Из них мальчиков было 19 (48,7%), девочек – 20 (51,28%).

Возраст до 1 года – 9 (23,0%), 1-3 года – 9 (23,0%), 4-7 лет – 7 (17,94%), 8-12 лет – 5 (12,8%), старше 13 лет – 9 (23,0%) человек.

Результаты исследований. В таблице 1 представлены кистозные образования почек.

Таблица 1. – Варианты кистозных образований почек

Варианты кистозных образований почек	Кол-во детей с данной патологией	Процентное соотношение
Простые кисты почек	10	25,64%
Мультикистоз	16	41,0%
Поликистоз	10	25,64%
Посттравматические кисты почек	1	2,56%
Кистозная дисплазия почки	2	5,12%

При анализе анамнеза у 17 (43,59%) из 39 исследуемых пациентов диагноз был выставлен на основании внутриутробного ультразвукового мониторинга. Непосредственно диагноз кистозная болезнь почек выставлен 11 (28,2%) пациентам: киста верхнего полюса правой почки – 1 (9,09%), мультикистоз – 8 (72,7%), поликистоз – 2 (18,1%). У 6 (15,38%) пациентов были выставлены: кистозная дисплазия – 1 (16,67%), гидронефроз – 3 (50%), дисплазия левой почки – 1 (16,7%).

У 9 (23,0%) пациентов наблюдалось сочетание кистозных образований почек с другими урологическими заболеваниями: нефроптоз – 2 (22,2%), пиелэктазия – 1 (11,1%), уретрогидронефроз – 1 (11,1%), хронический пиелонефрит в стадии ремиссии – 5 (55,56%) пациентов.

Преимущественно встречается одностороннее поражение почек – у 29 (74%) пациентов, двухстороннее поражение – у 10 (34,48%).

Статистическая корреляция между право- и левосторонним расположением кист имела значение только для мультикистоза и простых кист. Простые кисты почек – 10 (25,64%) пациентов, из которых у 7 (70%) кисты располагались с правой стороны, у 3 (30%) – с левой. Мультикистоз представлен у 16 (41,0) пациентов, из которых слева – 11 (68,75%), справа – 5 (31,25%).

При поступлении в клинику у 28 (71,8%) пациентов жалобы отсутствовали и диагноз был выставлен на основании данных УЗИ.

У остальных пациентов – 11 (28,05%) – в анамнезе были следующие жалобы: боль разной локализации (в поясничной области, животе) и учащенное мочеиспускание – 4 (10,26%), изменения в общем анализе мочи – 6 (15,38%), полученная травма – 1 (2,56%).

УЗИ стало основным методом обследования детей – 39 (100%). В зависимости от выявленных размеров кистозных образований распределение пациентов с простыми кистами почек было следующим: до 10 мм – 0, 11-20 мм – 4 (40%) пациента, 21-30 мм – 3 (30%) пациента, 31-40 мм – 2 (20%) пациента, 41-50 мм – 1 (10%) пациент, свыше 50 мм – 0. Распределение по локализации: верхний полюс – 4 (40%), средний сегмент – 4 (40%), нижний сегмент – 2 (20%). Для остальных представленных кистозных патологий почек данные варьировали в широких пределах.

По данным сцинтиграфии, изменения функции почки выявлены у 14 (82,35) пациентов, у 3 (17,6%) функция почки сохранена. По данным в/в урографии, косвенные признаки кист (отсутствие функции почки, расширение лоханки, нарушение контрастирования) были выявлены у 11 (64,7%) пациентов, у остальных 6 (35,3%) показатели в пределах нормы. При проведении цистографии у 4 (66,7%) ПМР не определяется, у 1 (16,7%) ПМР определяется нечетко, 1 – (16,7%) ПМР.

Исходя из размеров кист, клинической картины, данных инструментальных исследований, лечебная тактика у большинства – у 32 (82,05%) пациентов – представляла собой консервативное лечение. Оперативное вмешательство осуществлялось у 7 (17,9%), из которых: 2 (5,13%) – пункция (поликистоз почек); 1 (2,56%) – реконструктивная полостная операция, лапараскопическое удаление кист правой почки (солитарная киста); 2 (5,13%) – нефрэктомия (кистозная дисплазия левой почки, мультикистоз); 1 (2,56%) – люмботомия справа, резекция верхнего полюса правой почки (посттравматическая киста); 1 (2,56%) – наружное стентирование кисты в в/полюсе правой почки под контролем УЗИ (поликистоз).

Выводы:

1. Наиболее часто встречающийся вариант кистозных вариантов почки – мультикистоз – 16 (41,0%) пациентов,

преимущественно встречается одностороннее поражение почек 29 (74%).

2. Основной метод обследования – УЗИ – 39 (100%), в/в урография – 24 (61,54%) пациента, скintiграфия – 17 (43,6%).

3. Преимущественный метод лечения – консервативный.

Литература

1. Антонов, А. В. Жидкостные образования забрюшинного пространства: диагностика и лечение / А. В. Антонов // Урологические ведомости. – 2012. – № 4. – Том II. – С. 23-28.

2. Серегин, А. В., Борзцовская В. В. Дифференциальная диагностика жидкостных образований почек / А. В. Серегин, В. В. Борзцовская // Онкоурология – 2012. – № 4. – С. 42-47.

Summary

DIAGNOSIS AND TREATMENT OF KIDNEY CYSTIC FORMATIONS IN CHILDREN

Kovalchuk-Bolbatun T. V., Ragulsky A. G.

*Grodno State Medical University, Grodno
7881632@mail.ru*

The clinical picture and results of diagnosis of kidney cysts in 39 children under treatment at the Grodno Regional Children 's Clinical Hospital were studied. Kidney multicystosis – 16 (41.0%) of patients have been found to be more common. The main method of examination is ultrasound – 39 (100%), and treatment – conservative.

ОЖОГИ ПИЩЕВОДА У ДЕТЕЙ

Ковальчук-Болбатун Т. В., Глуткин А. В., Бондарева П. В.

*Гродненский государственный медицинский университет,
г. Гродно, Беларусь
7881632@mail.ru*

Введение. Частота ожогов пищевода химическими соединениями у детей обусловлена значительным увеличением использования в быту препаратов бытовой химии, содержащих кислоты и щелочи [2,3]. В связи с широким внедрением фиброгастродуоденоскопии (ФГДС) значительно улучшилась диагностика ожогов пищевода и желудка, их дифференцировка по

степени поражения, что позволяет прогнозировать течение заболевания [1, 5].

Цель исследования. Изучение местных проявлений химических ожогов пищевода в зависимости от вида агрессивного вещества, длительности его контакта со слизистой оболочкой и данных ФГДС.

Материал и методы исследования. В детской клинической больнице г. Гродно за последние 5 лет были госпитализированы 238 детей, проглотивших препараты бытовой химии и медикаменты. Из них 37 (15,5%) детям при поступлении выставлен диагноз химического ожога слизистой полости рта и пищевода. После обследования окончательный диагноз химического ожога слизистой полости рта и пищевода был подтвержден у 26 (10,9%) детей.

Результаты. Наиболее часто химическими агентами, вызвавшими ожоги пищевода у детей, являлись: перманганат калия (5 детей – 19,2%), стиральные порошки (3 детей – 11,5%), краска для волос (3 детей – 11,5%) и жидкость для снятия лака (4 ребенка – 15,4%).

После проглатывания химического вещества в течение первого часа в стационар поступили 32 ребенка (86,5%), 4 детей (10,8%) – через 2 часа, 1 ребенок (2,7%) – через 4 часа. Детям, которым при поступлении был выставлен диагноз химического ожога пищевода (37 детей), в первые сутки от момента травмы проводилась диагностическая ФГДС. После проведения ФГДС диагноз химического ожога пищевода был снят у 11 детей (29,7%). Остальные 26 детей предварительно были разделены на две группы: с I ст. (18 детей – 69,2%) и со II-III ст. ожога (8 детей – 30,8%), поскольку отдифференцировать II и III ст. представлялось затруднительным. У всех 18 пациентов (69,2%) с I ст. ожога выявлялись гиперемия и отек слизистой пищевода. У 12 детей с I ст. поражение пищевода сочеталось с поражением желудка и 12-перстной кишки. По отношению к локализации ожога при I ст. поражение верхней трети пищевода отмечено у 3 детей (16,6%), средней и нижней трети – у 7 детей (39%) и собственно нижней трети – у 8 детей (44,4%). Повторная ФГДС проводилась 8 (30,8%) пациентам на 7-8-е сутки после травмы, по результатам которой выявлено, что пятеро детей имеют II ст. ожога и трое – III ст. ожога.

Эндоскопическая характеристика ожога II ст. (5 детей – 19,2%) в 1-е сутки после травмы проявлялась гиперемией, отеком слизистой оболочки, наложением фибрина. У всех пациентов поражение пищевода сочеталось с эритематозной гастродуоденопатией. Поражение пищевода на всем протяжении наблюдалась у 1 ребенка (20%), в верхней и средней трети – у 1 ребенка (20%) и средней и нижней трети – у 3 детей (60%). При проведении повторной ФГДС на 7-8 день у всех детей было отмечено уменьшение воспалительного процесса. На 14-й день после ожога изменения в ротоглотке не выявлены, в то время как в пищеводе сохранялась гиперемия слизистой.

Эндоскопическая картина при III ст. ожога у всех троих детей (11,6%) в первые сутки и на 7-8 день с момента травмы как со стороны пищевода, так и со стороны ротоглотки характеризовалась гиперемией и отеком слизистой, фибринозными налетами. В 100% случаев имели место ожоги пищевода на всем протяжении. Эндоскопический контроль проводился на 7-8, 11, 15-17, 21-24 и 27-е сутки. Одному ребенку, у которого химический ожог осложнился рубцовым стенозом пищевода, выполнено бужирование пищевода зондом № 11 на 29-е сутки после травмы.

При анализе прижигающих веществ у 8 пациентов с ожогами II-III ст. у 3 пострадавших (37,5%) ожог был вызван перманганатом калия, у 2 детей (25%) – краской для волос, у других 3 детей (37,5%) – пищевым 9% уксусом, «Суперчистотелом» и средством для прочистки труб «Крот».

Средняя продолжительность пребывания в стационаре составила $\pm 13,7$ койко-дня (у пациентов с 1-й ст. – $\pm 2,8$ койко-дня, со 2-й ст. – $\pm 10,4$ койко-дня, при 3-й ст. – ± 28 койко-дней). С выздоровлением выписаны 24 ребенка (92,3%), осложнения со стороны пищевода отмечены у двоих детей.

Выводы:

1. Ожоги пищевода наиболее часто получают дети в возрасте от 1 до 3 лет, которые по недосмотру взрослых все новое часто пробуют на вкус.

2. Объективным способом диагностики степени химического ожога пищевода, стенозирования и выявления отдаленных осложнений остается эндоскопический способ.

Литература

1. Чернеховская Н. Е. Эндоскопическая диагностика заболеваний пищевода, желудка и тонкой кишки: учеб. пособ. / Н. Е. Чернеховская, В. Г. Андреев, Д. П. Черепянец, А. В. Поваляев. – 3-е изд., перераб., доп. – М.: МЕДпресс-информ, 2010. – 208 с.
2. Бисенков Л. Н. Торакальная хирургия. – М.: Гипократ, 2004. – 1090 с.
3. Черноусов А. Ф., Богопольский П. М., Курбанов Ф. С. Хирургия пищевода: Руководство для врачей. – М.: Медицина, 1997. – 352 с.

Summary

OESOPHAGEAL BURNS IN CHILDREN

Kovalchuk-Bolbatun T. V., Hlutkin A. V., Bondaryeva P. V.

*Grodno State Medical University, Grodno
7881632@mail.ru*

37 children with chemical burn of the esophagus were examined. Local manifestations of chemical burn of the esophagus were studied depending on the type of aggressive substance, the duration of its contact with the mucosa and the data of esophageal endoscopy (FSDS).

ПСИХОЭМОЦИОНАЛЬНЫЙ СТАТУС ЖЕНЩИН ПОСЛЕ ПОТЕРИ БЕРЕМЕННОСТИ РАННИХ СРОКОВ В ЗАВИСИМОСТИ ОТ ТИПА ТЕМПЕРАМЕНТА

Косцова Л. В.

*Гродненский государственный медицинский университет,
г. Гродно, Беларусь
kostsova94@mail.ru*

Введение. Актуальность изучения проблемы невынашивания беременности продиктована сложной демографической ситуацией, связанной с падением рождаемости, ростом частоты преждевременных родов, большим числом случаев осложнений беременности, неблагоприятного исхода родов для женщины или новорожденного, устойчивым высоким процентом беременностей, протекающих с угрозой ее прерывания [1,4]. Согласно данным статистики, в Республике Беларусь от 10 до 25% беременностей заканчивается неудачно, а известно, что потеря беременности – это мощный стрессогенный фактор для женщины, который может оказать негативное влияние на ее психическое и репродуктивное

здоровье в будущем [2, 3]. Поэтому выявление групп риска среди таких женщин, своевременное проведение реабилитационных мероприятий позволит содействовать полноценной реализации фертильности в последующем.

Цель исследования. Оценить психоэмоциональный статус женщин, перенесших потерю беременности ранних сроков, в зависимости от типа темперамента; выделить группу женщин, особо остро нуждающихся в психологической реабилитации.

Материал и методы исследования. Проведено обследование 72 женщин репродуктивного возраста, перенесших потерю беременности ранних сроков. Исследование заключалось в оценке психоэмоционального статуса женщин в зависимости от особенностей акушерско-гинекологического анамнеза и темперамента. Для определения темперамента применен классический тест – опросник Ганса Айзенка. Психоэмоциональное состояние обследуемых женщин оценивалось путем определения уровня реактивной тревожности как индикатора уровня напряжения, беспокойства, нервозности с помощью теста Спилберга-Ханина (низкий показатель составляет до 30 баллов, умеренный – 31-45, высокий – выше 45 баллов). Для оценки происходящего в жизни женщины применялся тест «Дом. Дерево. Человек».

Результаты исследования. По результатам тестирования по опроснику Ганса Айзенка из 72 женщин было отобрано 60 с «чистым» типом темпераментов, которые были разделены на 4 группы (по 15 чел. в каждой): группы сангвиников, холериков, меланхоликов и флегматиков. В каждой группе был определен уровень реактивной тревожности с помощью теста Спилберга-Ханина. Средний балл составил: у сангвиников – $49 \pm 1,3$, у меланхоликов – $47 \pm 1,6$, что соответствовало высокому уровню реактивной тревожности; у холериков – $37 \pm 2,4$, у флегматиков – $32 \pm 3,1$, что соответствовало среднему уровню реактивной тревожности. После проведения теста «Дом. Дерево. Человек» выяснилось, что сангвиники, которых Айзенк описывал как людей с сильной нервной системой, сравнительно легко переживающих неудачи, на самом деле испытывают глубокую депрессию, избегают разговоров на эту тему, винят себя в произошедшем, испытывают недостаток эмоциональной теплоты. Холерики же (по Айзенку) склонны к резким сменам настроения, вспыльчивые,

подверженные эмоциональным срывам, а меланхолики, наоборот, склонны к саморазрушению, уживчивые, эмоциональные. По нашим данным, эти два темперамента ярко переживают свои эмоции и готовы к контактам, о чем свидетельствует множество окон в тесте «Дом. Дерево. Человек». По мнению Айзенка, флегматики – люди с сильной нервной системой, с трудом приспосабливаются к новой обстановке, у них преобладает спокойное ровное настроение, а чувства постоянны. Следует отметить, что при проведении нами теста во всех рисунках женщин этого темперамента отсутствие трубы говорит о нехватке психологической теплоты дома и нежелание иметь дело с эмоциональными воздействиями.

Таким образом, анализ теста «Дом. Дерево. Человек» показал, что во всех группах женщин отмечались психоэмоциональные изменения: у сангвиников – депрессивное состояние, у холериков – эмоциональные срывы, у меланхоликов – склонность к саморазрушению, флегматики трудно приспосабливаются к новой обстановке.

Мы проанализировали также данные акушерско-гинекологического анамнеза у обследованных женщин. По паритету беременностей все пациентки с потерей беременности были распределены следующим образом: первобеременные женщины – 28%, повторнобеременные женщины без отягощенного акушерско-гинекологического анамнеза – 11%, повторно-беременные с отягощенным акушерско-гинекологическим анамнезом – 61%. То есть во всех четырех группах преобладали повторнобеременные женщины с отягощенным акушерско-гинекологическим анамнезом. Анализ психоэмоционального статуса выявил, что все обследованные пациентки нуждаются в реабилитации психического состояния. В то же время была выделена группа женщин, остро нуждающихся в проведении реабилитационных мероприятий. К ним относятся повторнобеременные женщины с отягощенным акушерско-гинекологическим анамнезом группы сангвиников и меланхоликов, так как у них отмечен высокий уровень реактивной тревожности по сравнению с холериками и флегматиками.

Выводы. Потеря беременности крайне негативно влияет на психоэмоциональное состояние женщины. Высокий уровень реактивной тревожности у сангвиников и меланхоликов, особенно у повторно-беременных женщин с отягощенным акушерско-

гинекологическим анамнезом, свидетельствует о необходимости разработки и проведения реабилитационных мероприятий на стационарном, и продолжения их на амбулаторном этапах.

Литература

1. Батаршев, А. В. Базовые психологические расстройства свойства и самоопределения личности: практическое руководство по психологической диагностике / А. В. Батаршев // СПб.: Речь. – 2005. – С. 44–49.
2. Добряков, И. В. Перинатальная психология / И. В. Добряков // Питер; СПб. – 2010. – С. – 125–141.
3. Малкина-Пых, И. Г. Психосоматика / И. Г. Малкина-Пых // М.: Эксмо. – 2010. – С. – 1024.
4. Worden, J. Grief Counseling and Grief Therapy / J. Worden // A Handbook for the Mental Health Practitioner, Fourth Edition Publisher. – Springer Publishing Company, Incorporated. – 2008. – P. 248.

Summary

PSYCHOEMOTIONAL STATUS OF WOMEN AFTER PREGNANCY LOSS DEPENDING ON TEMPERAMENT

Kostsova L. V.

*Grodno State Medical University, Grodno
kostsova94@mail.ru*

In the article we analyzed the dependence of the psychoemotional status of women on the type of temperament after losing pregnancy. Also we identified a group of women who urgently need in rehabilitation.

СРАВНИТЕЛЬНАЯ ОЦЕНКА ПАРАМЕТРОВ ТРОМБОЭЛАСТОГРАФИИ ПРИ ПРИМЕНЕНИИ ФТОРОПЛАСТА «ГРИФТЕКС»

Кудло В. В.

*Гродненский государственный медицинский университет,
г. Гродно, Беларусь
kudloviktor@gmail.com*

Актуальность. Тромбоэластография (ТЭГ) – графическая регистрация процесса свертывания крови, позволяющая оценивать состояние системы гемостаза. Последнее необходимо учитывать

при проведении хирургических вмешательств на паренхиматозных органах, особенно печени, в связи с тем, что наиболее частым осложнением в послеоперационном периоде является крово- и желчеистечение (в 3,6-9,3% случаев) с последующим формированием абсцессов [1]. В случае применения пластических материалов для закрытия раневой поверхности печени они должны обладать определенной местной гемостатической активностью.

Цель. Провести сравнительную оценку тромбоэластографических параметров при применении фторопласта «Грифтекс», модифицированного фторопласта-4 и гемостатической губки «Тахокомб».

Материал и методы. Запись тромбоэластограмм (ТЭ) производилась с помощью тромбоэластографа ГКГМ-04-02 при постоянной температуре 37°C. В опыте использовались интактные белые беспородные крысы. После введения животных в наркоз обнажалась сонная артерия и проводилась ее канюлизация. Проведены 4 серии эксперимента, по 5 опытов в каждой из них. В 1-й серии (контроль) кровь пассивно заливалась в пустую кювету, прилегаемую к аппарату. Во 2-й серии на дно укладывался лоскут фторопласта «Грифтекс», после чего туда помещалась кровь. В 3-й серии на дно кюветы предварительно помещался аналогичного размера фрагмент фторопласта-4 с поверхностью, модифицированной лекарственными веществами фотолоном и кальция хлоридом. В 4-й серии использовалась гемостатическая губка «Тахокомб». В течение 5 секунд после забора крови кюветы устанавливались в рабочее положение в аппарат. В них опускался цилиндр и начиналась запись ТЭГ. Для интерпретации графической информации рассчитывались следующие параметры тромбоэластограммы [2]: время реакции (R) – константа протромбиназы, высчитывалась от начала записи ТЭ до того места, где ее кривые расширялись на 1 мм, плюс время от момента наполнения кюветы кровью до установления ее в аппарат; время образования сгустка (K) – константа тромбина, определялась от окончания времени реакции R до расширения ветвей ТЭ на 20 мм; максимальная амплитуда (МА) – измерялась по поперечной оси в месте наибольшего расхождения ТЭ; константа тотального свертывания крови (T) – высчитывалась по расстоянию от начала записи ТЭ до максимального расширения ее ветвей.

Результаты и их обсуждение. При оценке результатов ТЭГ установлено, что наименьшее значение параметра R (время реакции) наблюдается при применении гемостатической губки «Тахокомб» (4-я серия). Оно было статистически ниже ($p < 0,05$), чем в 1-й серии, – в 1,35 раза). Данный параметр служит для оценки I фазы свертывания крови (протромбинообразование) и отражает скорость образования протромбиназы и тромбина, а также превращения фибриногена в фибрин.

Время образования сгустка (K) было наибольшим также в 4-й серии, однако разница между сериями эксперимента статистически не значима ($p > 0,05$). Данный критерий оценивает II фазу свертывания крови (тромбинообразование), и чем он короче, тем быстрее происходит превращение фибриногена в фибрин (формирование сгустка). В нашем исследовании присутствие в зоне свертывания крови лоскута фторопласта «Грифтекс», фторопласта-4 с модифицированной поверхностью и губки «Тахокомб» существенно не влияло ($p > 0,05$) на время образования тромба.

Наименьшее значение максимальной амплитуды (MA) установлено в 4-й серии и было достоверно ниже ($p < 0,05$), чем в контрольной серии, во 2-й и 3-й сериях – в 1,55, 1,35 и 1,24 раза, соответственно.

Параметр T статистически достоверно различался между экспериментальными сериями. При применении гемостатической губки «Тахокомб» (4-я серия) он был ниже ($p < 0,05$), чем в контрольной серии, при использовании фторопласта «Грифтекс» (2-я серия) и модифицированного фторопласта-4 (3-я серия) – в 1,35, 1,25 и 1,29 раза, соответственно. Как известно, гемостатическая губка «Тахокомб» содержит в своем составе активные вещества фибриноген и тромбин, а ее основой служит коллаген [3]. Последний способствует активации не только внутреннего, но и внешнего путей гемостаза. Этим можно объяснить то, что при применении данного материала (4-я серия) вышеописанные параметры имеют наименьшие значения.

Таким образом, фторопласт-4 и модифицированный фторопласт-4 не оказывают существенного влияния на скорость протекания стадий свертывания крови. Однако они способствуют формированию сгустка более прочного, чем при применении гемостатической губки «Тахокомб».

Литература

1. Альперович, Б. И. Дискуссия о методах резекции печени / Б. И. Альперович, В. А. Журавлев // *Анналы хирургич. гепатологии*. – 2005. – Т. 10, № 1. – С. 18-26.
2. Патологическая физиология системы крови и гемостаза: учеб.-метод. пособие для студентов лечеб., педиатр., мед.-психол. и мед.-диагност. фак. / Н. Е. Максимович [и др.]; М-во здравоохранения Респ. Беларусь, УО «Гродн. гос. мед. ун-т», каф. патол. физиологии им. Д. А. Маслакова. – 2-е изд., перераб. и доп. – Гродно: УО «ГрГМУ», 2016. – 298 с.
3. Горский, В. А. Эффективность использования ТахоКомба в гепатобилиарной хирургии / В. А. Горский, А. М. Зрянин, М. А. Агапов // *Соврем. технологии в медицине*. – 2011. – № 2. – С. 61-68.

Summary

COMPARATIVE EVALUATION OF THROMBOELASTOGRAPHIC PARAMETERS IN THE USE OF FLUOROPLASTIC «GRIFTEX»

Kudlo V. V.

*Grodno State Medical University, Grodno
kudloviktor@gmail.com*

This article presents a comparative analysis of the parameters of thromboelastography using fluoroplastic «Griftext», modified fluoroplastic-4 and hemostatic sponge Tachocomb. It was found that fluoroplast-4 and modified fluoroplast-4 do not have a significant effect on the blood coagulation stages, but contribute to the formation of a clot more durable than when using a hemostatic sponge Tachocomb.

ДИСЦИПЛИНИРОВАНИЕ РЕБЕНКА: НАСИЛИЕ В ОТНОШЕНИИ ДЕТЕЙ

Кузмицкая Ю. Л.

*Гродненский государственный медицинский университет,
г. Гродно, Беларусь*

Введение. Социальная регуляция поведения детей представляет собой использование родителями большого числа дисциплинарных воздействий [1]. Основная цель дисциплинарных воздействий заключается в том, чтобы привести поведение ребенка в социально приемлемое русло. К дисциплинарным воздействиям родители

прибегают всякий раз, когда ребенок нарушает правила поведения. Следовательно, дисциплинарное воздействие отражает содержание социальной регуляции родителями поведения детей, а дисциплинирование представляет собой широкий спектр действий, от наказаний до поощрений, с целью улучшения поведения детей [3].

Некоторые дисциплинарные воздействия могут содержать в себе агрессивные действия родителей по отношению к своим детям. По наличию или отсутствию насильственного компонента в социальной регуляции поведения детей выделяют [4]: насильственное и ненасильственное дисциплинарное воздействие. Насильственное дисциплинарное воздействие ориентировано на использование силы и власти в процессе дисциплинирования, родитель использует наказания физического и психологического характера. Ненасильственное дисциплинарное воздействие предполагает ориентацию родителя в исправлении проступков детей на познавательные ресурсы ребенка в понимании плохих и хороших поступков, индуктивная дисциплина предполагает выработку внутреннего представления о правильном и неправильном поведении.

Дисциплинарные воздействия, которые включают в свое содержание агрессивные действия, с точки зрения Т. В. Шипуновой, представляют собой нерелексируемые насильственные действия. Агрессивное содержание родителем не осознается, так как такое дисциплинарное воздействие носит социально ориентированный характер – социальная адаптация, воспитание, образование. В качестве агрессивного действия часто выступает всем известное наказание, которое может сопровождаться физическим и психологическим насилием.

Цель исследования. Выявить качественную дифференциацию тактик дисциплинарного воздействия в зависимости от пола родителей, а также пола и возраста детей.

Материал и методы. Метод сбора эмпирического материала: опрос. Метод организации психологического исследования: метод поперечных срезов. Методика исследования: «Шкала тактики поведения в ситуации дисциплинирования» (М. А. Straus, С. Mebert) в адаптации И. А. Фурманова [2].

В исследовании приняли участие школьники 1-11 классов общеобразовательной школы, общее количество опрошенных – 515

человек. Первая возрастная группа (младший школьный возраст, средний возраст – $7,9 \pm 1,26$) включает 186 чел., из них 104 мальчика, 82 девочки. Вторая возрастная группа (подростковый возраст, средний возраст – $12,2 \pm 1,31$) представлена 189 школьниками, из них 105 мальчиков, 84 девочки. Третья возрастная группа (юношеский возраст, средний возраст – $15,6 \pm 0,76$) включает 140 чел., из них 76 мальчиков, 64 девочки.

Результаты исследований. В социальной регуляции поведения детей младшего школьного возраста не обнаружено различий в материнских дисциплинарных тактиках в зависимости от пола детей. В младшем школьном возрасте матери с одинаковой частотой используют профилактическое дисциплинирование, психологическую агрессию, телесные наказания, проявление жестокости и физическую жестокость в исправлении нарушений поведения детей. Дисциплинарные тактики, применяемые отцами в отношении мальчиков и девочек, различаются между собой. Психологическую агрессию ($U=3050$, $p=0,032$), физическую жестокость ($U=263$, $p \leq 0,001$), проявление жестокости ($U=249$, $p \leq 0,001$), телесные наказания ($U=247$, $p \leq 0,001$) отцы чаще используют в дисциплинировании мальчиков, нежели девочек.

В социальной регуляции поведения подростков психологическую агрессию ($U=286$, $p \leq 0,001$), телесные наказания ($U=365$, $p=0,040$), физическую жестокость ($U=404$, $p=0,041$) матери чаще используют в регуляции поведения девочек, нежели мальчиков. Отцовские дисциплинарные тактики в большей степени направлены на исправление проступков мальчиков: психологическую агрессию ($U=319$, $p=0,023$), телесные наказания ($U=324$, $p=0,033$), проявления жестокости ($U=213$, $p \leq 0,001$) отцы используют в социальной регуляции поведения мальчиков, нежели девочек.

Выводы. Установлена качественная дифференциация тактик дисциплинарного воздействия в зависимости от пола родителей, а также пола и возраста детей.

Матери чаще используют психологическую агрессию, телесные наказания, физическую жестокость в отношении девочек подросткового возраста. Различия в тактиках дисциплинирования матерями мальчиков и девочек младшего школьного возраста отсутствуют.

Отцы, независимо от возраста детей, чаще применяют тактики психологической агрессии, телесных наказаний и проявления жестокости в отношении мальчиков, чем девочек.

Литература

1. Бандура, А. Подростковая агрессия. Изучение влияния воспитания и семейных отношений / А. Бандура, Р. Уолтерс ; пер. с англ. Ю. Брянцевой, Б. Красовского. – М. : Апрель Пресс : ЭКСМО-Пресс, 2000. – 502 с.
2. Фурманов, И. А. Агрессия и насилие: диагностика, профилактика и коррекция / И. А. Фурманов. – СПб. : Речь, 2007. – 480с.
3. The discipline survey: a new measure of parental discipline / R. Socolar [et al.] // Ambulatory Pediatrics. – 2004. – Vol. 4, iss. 2. – P. 166–173.
4. Van Leeuwen, K. G. Assessing dimensions of parental discipline / K. G. Van Leeuwen, A. Fauchier, M. A. Straus // J. of Psychopathology a. Behavioral Assessment. – 2012. – Vol. 34, iss. 2. – P. 216–231.

Summary

CHILD DISCIPLINING: CHILD ABUSE

Kuzmitskaya Yu. L.

Grodno State Medical University, Grodno

The process of social regulation of children behavior by parents through the aggressive and non-aggressive disciplinary techniques is discussed. The fact that regardless of children age mothers often apply disciplinary tactics to girls' disturbance of behavior, and fathers – to boys' disturbance of behavior was found.

ТИП ОТНОШЕНИЯ К БЕРЕМЕННОСТИ: БЕРЕМЕННОСТЬ КАК НОРМАТИВНЫЙ КРИЗИС РАЗВИТИЯ

Кузмицкая Ю. Л., Шевченко А. О.

*Гродненский государственный медицинский университет,
г. Гродно, Беларусь*

Введение. Психологическая сторона процесса беременности является предметом исследования перинатальной психологии. Перинатальная психология – отрасль психологического знания, которая тесно связана с частными вопросами акушерства и педиатрии. С точки зрения перинатальной психологии беременность стоит понимать как нормативный кризис развития [2],

психологическим содержанием и разрешением которого становится формирование «системы мать – дитя», развитие системы отношений между матерью и ребенком. Переживание беременности как кризиса тесно связано с отношением женщины к беременности. Отношение к беременности стоит понимать как активную, сознательную, избирательную, основанную на опыте связь женщины с процессом беременности, с формирующейся системой «мать-дитя», с ее ближайшим окружением. В свою очередь тип отношения к беременности может свидетельствовать о степени и глубине переживания кризиса. В связи с чем актуально изучение типа отношения к беременности.

Цель исследования. Изучить и описать тип отношения к беременности в послеродовом периоде.

Задачи исследования: 1) провести теоретический анализ типа отношения к беременности; 2) изучить тип отношения к беременности в раннем неонатальном периоде, в частности отношение к себе как беременной, отношение женщины к формирующейся в течение беременности системе «мать-дитя», отношение беременной женщины к отношению к ней окружающих.

Материал и методы. Метод сбора эмпирического материала: опрос, анкетирование. Методика исследования: «Тип отношения к беременности» И. В. Добрякова.

Эмпирическую базу исследования составили родильницы «Акушерско-физиологического» послеродового отделения учреждения здравоохранения «Городская клиническая больница скорой медицинской помощи» г. Гродно (N=100).

Результаты исследований. И. В. Добряков выделил пять типов отношения к беременности: оптимальный, эйфорический, гипогестогнозический, тревожный, депрессивный [1].

Г. Г. Филиппова выделила и описала следующие стили переживания беременности: адекватный стиль, игнорирующий стиль, эйфорический стиль, тревожный стиль, амбивалентный стиль [1]. В настоящем исследовании изучению подлежали типы отношения к беременности, выделенные И. В. Добряковым.

Эмпирический анализ позволил выявить и описать тип отношения к беременности в послеродовом периоде.

В 90 случаях из 100 рожениц беременность была запланирована, 10 рожениц идентифицировали свою беременность как незапланированную.

Типы отношения к беременности у женщин в послеродовом периоде распределены следующим образом: оптимальный ($4,25 \pm 1,67$; 57%); гипогестогнозический ($0,65 \pm 1,02$; 6%); эйфорический ($3,12 \pm 1,97$; 34%); тревожный ($0,76 \pm 0,91$; 3%); депрессивный ($0,21 \pm 0,45$).

Ретроспективная идентификация беременности характеризуется оптимальным типом отношения к беременности: соматические изменения, произошедшие за период беременности, родов воспринимаются женщиной как естественное развитие событий, связанных с беременностью и рождением ребенка. Оптимальное отношение к беременности определяют благополучное течение послеродового периода и отсутствие выраженных негативных эмоциональных переживаний. Эйфорический вариант типа отношения к беременности характеризуется эйфорическим фоном настроения: проявления беременности приносят радость и эйфорию, преобладают позитивные эмоции.

Выводы. Преобладающий тип отношения к беременности – оптимальный и эйфорический. В организации психологической помощи, а также в профилактических целях стоит уделять внимание отношению к беременности, которое включает отношение беременной женщины к себе как к матери, отношению к ребенку, а также вопросам грудного вскармливания.

Литература

1. Добряков, И. В. Перинатальная психология / И. В. Добряков — СПб.: Питер, 2011. — 272 с.
2. Станько, Э. П. Беременность, роды и послеродовой период: физиология, психопатология, психотерапия и психопрофилактическая подготовка / Э. П. Станько, В. А. Лискович, И. А. Наумов, С. А. Гарбуз. — Гродно: ГрГМУ, 2005 – 194 с.

Summary

TYPE OF RELATIONSHIP TO PREGNANCY IN WOMEN

Kuzmitskaya Yu. L., Shauchenka A. O.

Grodno State Medical University, Grodno

Types of attitude to pregnancy are described (optimal, euphoric, ignoring, anxious, depressive). It has been recorded that in the postnatal period, the predominant type of attitude to pregnancy is optimal and euphoric.

ИССЛЕДОВАНИЕ ЭФФЕКТИВНОСТИ L-ЛИЗИНА ЭСЦИНАТА В ИНТЕНСИВНОЙ ТЕРАПИИ ЧЕРЕПНО-МОЗГОВОЙ ТРАВМЫ

Кулаков Д. А., Предко В. А., Герасимчик П. А., Чураков А. В.

*Гродненский государственный медицинский университет,
г. Гродно, Беларусь
kulakov.dim@mail.ru*

Введение. Черепно-мозговая травма (ЧМТ) остается основной причиной смертности среди трудоспособного населения. Тяжелая черепно-мозговая травма ассоциируется не только с высокой летальностью, но и с высоким риском инвалидизации населения, а также с сохранением стойкого неврологического дефицита.

Распространенность ЧМТ за последние десятилетия увеличилась в связи с увеличением механизации труда и ростом автомобильных аварий. Смертность в развитых странах в несколько раз меньше в сравнении с развивающимися странами.

Главным достижением в интенсивной терапии тяжелой черепно-мозговой травмы является внедрение искусственной вентиляции легких, а также усовершенствование средств диагностики ЧМТ – широкое использование КТ, что позволило отказаться от неинформативных ангиограмм и краниотомии.

Лечение, проводимое в отделении реанимации, является либо логическим продолжением проводимого на интраоперационном этапе, либо самостоятельным компонентом лечения пациентов, не нуждающихся в оперативном вмешательстве, но находящихся в критическом состоянии. Выбор стратегии и тактики лечения подобных пациентов определяется современными представлениями о сути патофизиологических процессов, происходящих как в поврежденных, так и в здоровых участках ткани головного мозга.

В патогенезе черепно-мозговой травмы ключевую роль играет отечный синдром. Рациональная интенсивная терапия отека – набухания головного мозга – позволяет ускорить регресс общемозговой симптоматики, в том числе регресс степени угнетения сознания.

Цель исследования. Изучить влияние L-лизина эсцината на выживаемость пациентов с тяжелой черепно-мозговой травмой.

Изучить эффективность назначения препарата в зависимости от исходного уровня угнетения сознания.

Материал и методы. В ретроспективном исследовании участвовали 120 пациентов с диагнозом черепно-мозговая травма, проходивших лечение в отделении анестезиологии и реанимации УЗ «Городская клиническая больница скорой медицинской помощи г. Гродно» в 2012, 2017-2018 гг. При проведении исследования пациенты были разделены на 2 группы. В первой группе проводили стандартную комплексную терапию 69 пациентам, во второй группе – 51 пациенту к терапии дополнительно назначали внутривенное введение L-лизина эсцината.

Уровень нарушения сознания у пациентов в процессе терапии определяли по шкале ком Глазго. У пациентов в плазме крови определяли уровень глюкозы в плазме крови.

Статистическую обработку полученных результатов производили с использованием статистического пакета Statistika 8.0.

Результаты исследования. В первой группе пациентов распределение по полу и возрасту произошло следующим образом. Мужчины встречались в 74,1% случаев, женщины – в 25,9% случаев, средний возраст составил $60,6 \pm 18,4$ года. Во второй группе пациентов соотношение мужчин и женщин – 73 и 27%, соответственно. Средний возраст составил $62 \pm 12,5$ года. Пациенты по возрастному и половому составу статистически достоверно не различались.

У пациентов при поступлении в клинику определяли уровень сознания по шкале ком Глазго (ШКГ): в первой группе – 9 [7; 12] баллов по ШКГ, во второй группе – 9 [6; 13] баллов по ШКГ. При статистическом анализе исследуемые группы достоверно не различались ($p > 0,05$).

После проведенного курса лечения проводили подсчет уровня сознания по ШКГ в группе № 1 -12 [11; 14] баллов по ШКГ, во второй группе – 13 [13; 15] баллов по ШКГ ($p < 0,05$).

Уровень глюкозы в крови у пациентов при поступлении: у пациентов первой группы составил 6,5 [5,7; 8,6] ммоль/л, у пациентов второй группы – 6,7 [5,7; 8,5] ммоль/л ($p > 0,05$).

При переводе у пациентов из первой группы содержание глюкозы было достоверно выше – 6 [5,0; 7,0] ммоль/л, чем у пациентов второй группы – 5,5 [4,1; 6,0] ммоль/л ($p < 0,05$).

При использовании L-лизина эсцината доля выживших пациентов (группа № 2) составила 85,3%, а в группе № 1 выживаемость составила 70,8% ($p < 0,05$). Применение L-лизина эсцината в интенсивной терапии ЧМТ привело к увеличению общей выживаемости на 14,5% ($p < 0,05$).

При анализе в зависимости от уровня сознания по ШКГ у пациентов с уровнем угнетения сознания при поступлении в 4-5 баллов по ШКГ выживаемость при использовании L-лизина эсцината выросла на 31,3% ($p < 0,05$); при 6-7 баллах по ШКГ выживаемость увеличилась на 17,3% ($p < 0,05$), при 8-9 баллах по ШКГ отмечен рост доли выживших на 14,0% ($p < 0,05$).

Введение в комплексную терапию черепно-мозговой травмы L-лизин эсцината ассоциируется с более низким риском летального исхода – 14,7% против 29,2% (группа 1) ($p < 0,05$).

Выводы. Введение L-лизина эсцината в схему интенсивной терапии посттравматического отека-набухания головного мозга привело к значимому увеличению выживаемости пациентов с тяжелой черепно-мозговой травмой. Среди пациентов, получавших L-лизина эсцинат, отмечалось повышение общей выживаемости на 14,5% по сравнению с пациентами, не получавшими этот препарат.

Литература

1. Петриков С. С. Влияние L-лизина эсцината на внутричерепное давление у пострадавших с тяжелой черепно-мозговой травмой, находящихся в критическом состоянии. // С. С. Петриков, С. А. Бадыгов, Э. Д. Мехиа-Мехиа, В. В. Крылов / журнал им. Н. В. Склифософского Неотложная медицинская помощь.-2016, № 2. – С. 31-36.
2. Чураков, А. В. Посттравматический ангиоспазм при тяжелой черепно-мозговой травме. Методы диагностики и прогнозирования / А. В. Чураков, В. В. Спас., А. Ф. Смянович // Мед. новости. – 2005. – № 10.– С. 19-25.
3. Ерюхин, И. А. Экстремальное состояние организма: Элементы теории и практические проблемы на клинической модели тяжелой сочетанной травмы / И. А. Ерюхин, С. А. Шляпников – СПб : Эскулап, 1997. – 296 с.

Summary

**IMPORTANCE OF L-LYSINE AESCINATE IN INTENSIVE
CARE OF TRAUMATIC BRAIN INJURY**

Kulakov D. A., Predko V. A., Gerasimchik P. A., Churakov A. V.

Grodno State Medical University, Grodno

kulakov.dim@mail.ru

Traumatic brain injury remains one of the leading causes of death and disability among the population. In a retrospective study, of effect of L-Lysine aescinat of the outcome of treatment of 120 patients with TBI was studied. As result of L-Lysine aescinat use in clinical practice, a 14.5% increase in patient's survival after traumatic brain injury was noted.

**ТОКСОПЛАЗМОЗ И БЕРЕМЕННОСТЬ: КЛИНИЧЕСКИЙ
СЛУЧАЙ**

Кухарчик Ю. В., Андралойть Е. М., Пацевич Е. С., Кузьмич И. И.

Гродненский государственный медицинский университет,

г. Гродно, Беларусь

ironeta15@mail.ru

Введение. Токсоплазмоз – протозойное заболевание человека и животных, вызываемое условно патогенным внутриклеточным паразитом *Toxoplasma gondii*, характеризующееся преимущественно латентным или хроническим течением с поражением нервной системы, органов ретикуло-эндотелиальной системы, поперечно-полосатой мускулатуры и глаз. Врожденный токсоплазмоз имеет большое значение в структуре инфекционной патологии новорожденных, являясь одной из причин грубых пороков развития, ранней детской смертности и инвалидности [4]. По данным разных авторов, частота развития врожденного токсоплазмоза варьирует от 1 до 6 случаев на 1000 новорожденных [2]. Следует отметить, что риск инфицирования плода зависит от срока беременности. Так, в первом триместре она составляет 15%, во втором – 30%, в третьем – более 60% [1]. В ряде работ также отмечалась возможность заражения только одного из плодов при многоплодной беременности [3, 4].

Цель исследования. Определить особенности клинического течения латентного токсоплазмоза у беременной дихориальной диамниотической двойней и врожденного токсоплазмоза у одного из плодов.

Материал и методы. Проведен ретроспективный анализ анамнеза и данных амбулаторного наблюдения пациентки в женской консультации, клиническое наблюдение и оценка результатов лабораторно-инструментальных методов исследования женщины и детей.

Результаты исследований. Пациентка Т, 34 года, встала на учет в женской консультации № 5 г. Гродно 31.01.19 на сроке 5-6 недель беременности. Из анамнеза установлено, что дома имеется кошка, во время беременности употребляла сырой фарш. Во время беременности исследование крови на антитела к токсоплазме не проводилось в связи с отсутствием реактива. Менструации с 13 лет, установились сразу, по 4-5 дней, через 28 дней, регулярные, умеренные, безболезненные. Число беременностей 4: 2003 г. – выкидыш в 8-9 недель; 2004 г. – срочные роды, вес ребенка 4050 г; 2008 г. – медицинский аборт; 2011 г. – срочные роды, вес ребенка 3650 г. Прибавка веса за беременность составила 19 кг. Во время настоящей беременности в сроке 5-6 недель перенесла герпетические высыпания на губах, в сроке 11 недель острое респираторное заболевание, требующее приема амоксициллина. В связи с высоким риском перинатальных потерь с 10 по 20 неделю беременности получала дюфастон в дозе 10 мг 2 раза в день, с 12-й недели – утрожестан. За время беременности 4 раза получала лечение в стационаре по поводу угрозы прерывания беременности.

Пациентка Т. поступила по направлению врача женской консультации № 5 г. Гродно 9.09.19 в приемное отделение УЗ «ГОКПЦ» для оперативного родоразрешения с диагнозом: Беременность 259 дней. Дихориальная диамниотическая двойня. Ягодичное предлежание первого плода, поперечное положение второго плода. Вызванные беременностью отеки. Фиброаденома молочной железы. Малая аномалия развития сердца: пролапс митрального клапана 1 степени, наджелудочковая экстрасистолия с эпизодами неустойчивой наджелудочковой тахикардии. Недостаточность кровообращения 0 степени. Двусторонний гидронефроз 1-2 степени.

Состояние при поступлении удовлетворительное. Кожные покровы и видимые слизистые бледно-розовые. Периферические лимфатические узлы не увеличены. Тоны сердца ритмичные. Пульс 76 ударов в минуту, ритмичный. Артериальное давление на обеих руках 110/70 мм рт. ст. Аускультативно дыхание везикулярное, хрипов нет. Язык чистый. Живот увеличен за счет беременной матки, безболезненный. Симптом поколачивания по поясничной области отрицательный с обеих сторон. Отеки стоп, голеней. Мочеиспускание свободное, безболезненное. Стул оформленный. Температура тела 36,5°C. Окружность живота 110 см. Высота стояния дна матки 40 см. Положение 1-го плода продольное, 2-го – поперечное. Предлежит тазовый конец 1-го плода. Предлежащая часть плода прижата ко входу в малый таз. Сердцебиение плодов 132 и 146 ударов в минуту, ясное.

В сроке беременности 263 дня 10.10.19 пациентке выполнено в плановом порядке кесарево сечение в нижнем сегменте матки поперечным разрезом в условиях спинальной анальгезии. В 10 часов 8 минут за тазовый конец извлечен I ребенок женского пола, доношенный, массой 3050 г, длиной 51 см с оценкой по шкале Апгар 8/9 баллов. В 10 часов 9 минут за головку извлечен II ребенок мужского пола, доношенный, массой 2850 г, длиной 50 см, 8/9 баллов по шкале Апгар. Околоплодные воды прозрачные. Плацента расположена на передней стенке матки. Результаты гистологического исследования последов – ткань зрелой плаценты. В послеоперационном периоде назначен амклав в дозе 1,2 г, окситоцин 5 МЕ, кеторол 2 мл, фраксипарин 0,3 мл, прозерин 0,05% – 1 мл.

При обследовании детей у 2-го ребенка выявлена клинко-лабораторная картина врожденного токсоплазмоза (низкая масса тела при рождении относительно 1-го ребенка, лимфоцитоз и ускоренное СОЭ в общем анализе крови, гипербилирубинемия и повышение активности гепатоспецифических ферментов в крови, обнаружение ДНК возбудителя токсоплазмоза в ликворе, выявление признаков гидроцефалии (по данным нейросонографии)).

По результатам обследования женщины в общем анализе крови от 10.09.19 выявлено: лейкоциты $13,4 \cdot 10^9$ /л, эритроциты $3,9 \cdot 10^{12}$ /л, гемоглобин 126 г/л, тромбоциты $320 \cdot 10^9$ /л, СОЭ 34 мм/ч. В общем анализе мочи от 9.09.19 выявлено: лейкоциты 10-20 в поле зрения,

бактериальная флора палочки. Биохимический анализ крови и коагулограмма без патологических изменений. При исследовании крови 16.09.19 выявлены IgM к токсоплазме. В исследовании крови методом полимеразной цепной реакции от 17.09.19 ДНК возбудителя токсоплазмоза не обнаружена. Проведены консультации узкими специалистами. Заключение офтальмолога: офтальмологической патологии не выявлено. Заключение невролога: очаговой неврологической симптоматики не выявлено. Заключение инфекциониста: данных за токсоплазмоз нет, рекомендовано через 1 месяц повторное исследование крови на антитела и ДНК возбудителя токсоплазмоза. Послеродовый период протекал без осложнений. Женщина выписана в удовлетворительном состоянии на 13-е сутки после операции.

Выводы. В повседневной практике врача-акушера-гинеколога достаточно редко встречаются случаи недиагностированной токсоплазменной инфекции беременной с эпизодом вертикальной трансмиссии одному из плодов, для их предотвращения требуется ранняя диагностика и активная медикаментозная профилактика.

Литература

1. Беляева Н. М. Проблема токсоплазмоза у беременных и новорожденных / Н. М. Беляева, С. Х. Зембатова, Ф. К. Дзущева // Материалы IV Всероссийского конгресса по инфекционным болезням. М.: 2012. – С. 51-52.
2. Лобзин, Ю. В. Руководство по инфекционным болезням / Ю. В. Лобзин. – СПб. – 2000. – ЧЗ. – С. 52-60.
3. Орехов, К. В. Особенности врожденного токсоплазмоза у детей первого года жизни / К. В. Орехов, Л. Ю. Барычева // Сибирский медицинский журнал. – 2004. – № 1. – С. 63-65.
4. Рымаренко Н. В. Врожденный токсоплазмоз при многоплодной беременности – факторы риска при вертикальной трансмиссии / Н. В. Рымаренко, Ю. В. Вяльцева // Вопросы практической педиатрии. – 2019. – № 1. – С. 51-56.

Summary

TOXOPLASMOSIS AND PREGNANCY: A CLINICAL CASE

Kuharchik Y. V., Andraloit E. M., Patsevich E. S., Kuzmich I. I.

Grodno State Medical University, Grodno

There is reported an observation of a clinical case of latent toxoplasmosis in a woman with dichoric diamniotic twins and the

development of congenital toxoplasmosis in one of the fetuses. It describes the patient's anamnestic and clinical laboratory data, and demonstrates the complexity of the diagnostic search throughout the entire period of pregnancy.

ФЕРТИЛЬНОСТЬ ЖЕНЩИН РЕПРОДУКТИВНОГО ВОЗРАСТА ПОСЛЕ ОПЕРАТИВНОГО ЛЕЧЕНИЯ МИОМЫ МАТКИ В АНАМНЕЗЕ

Кухарчик Ю. В., Кухарчик И. В.

Гродненский государственный медицинский университет, г. Гродно,

Беларусь

juliakukharchik@mail.ru

Введение. Наиболее часто встречающейся опухолью репродуктивной системы у женщин является миома матки (ММ). Более 50% от числа всех пациенток отделений оперативной гинекологии составляют женщины с данной патологией [1, 2, 5]. В настоящее время не является редкостью выявление миоматозных узлов у женщин в 20-30-летнем возрасте [3, 4].

Цель. Провести анализ степени восстановления фертильности у женщин после оперативного лечения миомы матки.

Материал и методы исследования. Обследованы 69 женщин, проходивших стационарное лечение в УЗ «ГОКПЦ». В первую группу вошли 35 женщин с миомой матки, вторую группу составили 34 пациентки с миомой матки и эндометриозом. Всем пациенткам на этапе прегравидарной подготовки выполнена миомэктомия.

Женщины всех групп сопоставимы по возрасту. Средний возраст обследованных первой группы составил $29,6 \pm 8,4$ года, второй группы – $28,7 \pm 9,1$ года ($p > 0,05$). Анализ антропометрических данных у пациенток не выявил статистических различий. Индекс массы тела в 91% случаев соответствовал норме и в среднем составил $23,1 \pm 0,2$ кг/м².

В ходе исследования проведена оценка анамнеза, результатов клинико-лабораторного и инструментального методов обследования. Статистическая обработка собственных данных производилась с применением статистических пакетов Statistica 10.0, Microsoft Excel 2013.

Результаты. В первой группе ММ впервые выявлена у 24,3% пациенток. У 40,5% длительность составляла 1-2 года, у 24,3% – от 2 до 5 лет, у 10,9% – более 5 лет. Следует отметить, что 18,9% обследованных к моменту операции не жили половой жизнью. Установлено, что у 40,5% женщин, состоявших в браке, имело место бесплодие (первичное – у 67,6%, вторичное – у 32,4%). Длительность первичного и вторичного бесплодия у 45,9% женщин колебалась от 3 до 8 лет. При этом ни у одной из женщин не было абортов. В анамнезе выявлено, что у 21,6% состоявших в браке женщин отмечалось невынашивание беременности.

45,9% женщин первой группы, состоящих на учете по поводу ММ, использовали консервативное лечение этого состояния на этапе предоперационной подготовки. Основными показаниями к МЭ в виде моносимптомной ММ явились: обильные менструации с анемизацией у 29,7%, симптом боли – у 24,3% женщин. Сочетанными показаниями к операции у 27,0% пациенток были обильное кровотечение и боли, у 5,4% – быстрый рост и кровотечение, у 2,7% – боли и быстрый рост. Сочетание всех трех симптомов имело место у 8,1% женщин. Общий размер пораженной матки колебался от 7 до 16 недель беременности.

ММ впервые выявлена у 30,5% женщин второй группы. Установлено, что длительность заболевания 1-2 года была у 38,9% женщин, от 2 до 5 лет – у 19,5%, свыше 5 лет – у 11,1%. Симптомная ММ диагностирована у 36,1% пациенток, бессимптомное течение наблюдалось у 63,9%. Болевой симптом встречался у 55,6% обследованных, боли и кровотечения – у 8,3%. Не жили половой жизнью к моменту операции 5,6%. У 28,8% женщин второй группы отмечалось бесплодие. При этом первичное бесплодие – в 13,9% случаев, вторичное – у 86,1% обследованных. Из анамнеза установлено, что у 5,6% женщин, состоящих в браке, отмечено невынашивание беременности. Эти пациентки имели от 1 до 2 детей, до 3 самопроизвольных выкидышей, отсутствие абортов.

8,3% женщин второй группы получали консервативное лечение ММ без эффективности. Все пациентки этой группы прооперированы, помимо МЭ, выполнено удаление эндометриoidных кист яичников и эндометриoidных очагов на брюшине прямокишечно-маточного углубления и пузырно-

маточной области. Общий размер пораженной матки колебался от 8 до 14 недель беременности.

Доступ для вхождения в брюшную полость – лапаротомия по Пфанненштилю у 89,0% женщин, нижнесрединный доступ – у 11,0% пациенток.

Следует отметить, что если среди женщин с первичным бесплодием интрамуральных и интрамурально-субмукозных узлов в сумме было 67,6 и 55,5%, то среди женщин с вторичным бесплодием эти показатели составляли 51,4 и 36,1%, соответственно, в первой и второй группах. Число пациентов с единичными миоматозными узлами среди женщин с первичным и вторичным бесплодием существенно не различалось: 35,6% – с первичным бесплодием, 31,5% – со вторичным. Число пациенток с миоматозными узлами в количестве до 4 и более было, соответственно, 20,5 и 24,7%. При сравнении числа женщин с крупными миоматозными узлами (6 см и более) каких-либо различий между женщинами с первичным и вторичным бесплодием не выявлено, – соответственно, 87,7 и 84,9%. Следовательно, можно предположить, что на первичное и вторичное бесплодие влияние оказывают только уровень залегания и размер миоматозных узлов. Что касается уровня расположения миоматозных узлов в зависимости от числа их, то наблюдается равномерное их распределение, за исключением интрамурально-субмукозной локализации, которая доминирует, что может рассматриваться как фактор риска невынашивания. Такое же рассмотрение относительно размеров миоматозных узлов показало заметное влияние на невынашивание беременности глубоких форм локализации миоматозных узлов (включая интралигаментарную) и размеры миоматозных узлов.

Забеременели 75,7% женщин первой группы и 77,8% пациенток второй группы. Течение гестации осложнилось самопроизвольным абортom у 5,4% (первая группа) и 11,1% (вторая группа) и у 2,7% (первая группа) и 2,8% (вторая группа), соответственно, до 12 недель и после 18 недель. Беременность закончилась родами у 86,1% женщин второй группы и у 91,9% пациенток первой группы.

У обследованных первой группы 89,2% женщин беременность наступала в первые 1,5 года после МЭ, а в последующий период –

только у 10,8%. Свыше 5 лет после МЭ беременность среди заинтересованных пациенток не наступала. Что касается женщин второй группы, то реализация репродуктивной функции у них наступила у 88,9% женщин в первые 1,5 года после МЭ, а в последующий период – только у 11,1%.

В структуре осложнений беременности, наступивших после МЭ, занимает угроза прерывания, а среди женщин с невынашиванием выявлен максимальный показатель – 81,1% (первая группа) и 86,1% (вторая группа).

Все пациентки родоразрешены путем операции кесарево сечение: в экстренном порядке – 12,3%, в плановом – 87,7%. Перинатальных потерь не было, признаков несостоятельного рубца после МЭ не установлено. Повторные беременности с рождением второго здорового новорожденного после МЭ в группах обследованных женщин имели место у 16,4%.

Заключение. Полученные нами данные демонстрируют эффективность МЭ в восстановлении фертильности и указывают на существенную роль ММ в возникновении бесплодия и невынашивания беременности.

Литература

1. Опыт лечения пролиферативных процессов матки у женщин, страдающих бесплодием / Л. А. Щербакова [и др.]// Опухоли женской репродуктивной системы. Маммология /онкогинекология.-2012.-№2.-С.73-77.
2. Effects of combined progesterone and 17 β -estradiol treatment on the transcriptome of cultured human myometrial smooth muscle cells / S.Chandran [et al.]// Physiological Genomics.-2016.-№48(1).-p.50–61.
3. Ganzer, R. High intensity focused ultrasound (HIFU): Importance in the treatment of prostate cancer/ R.Ganzer // Der Radiologe.-2017.-№57(8).-p.659–664.
4. Laparoscopy or laparotomy as the way of entrance in myoma enucleation / C.Cezar [et al.]// Archives of Gynecology and Obstetrics.- 2017.-№296(4).-p.709–720.
5. Spontaneous Rupture of Uterus in Pregnancy Midtrimester Due to Increased Pressure with Previous Uterine Laparoscopic Myomectomy/ M.Kiseli [et al.] // International Journal of Fertility and Sterility.-2013.-№7.-p.239-242.

Summary

**FERTILITY OF WOMEN IN REPRODUCTIVE AGE AFTER
SURGICAL TREATMENT OF UTERINE FIBROIDS IN THE
ANAMNESIS**

*Kukharchyk Y. V., Kukharchyk I. V.
Grodno State Medical University, Grodno*

Summary. The article presents an analysis of the results of myomectomy in 69 women of reproductive age. Established factors affecting the occurrence of pregnancy after myomectomy. It was found that pregnancy and childbirth after myomectomy with a full-term fetus occurred in 76,8% of the examined women.

**КЛИНИЧЕСКИЕ ОСОБЕННОСТИ ТЕЧЕНИЯ
ЛЕЙОМИОМЫ И ЭНДОМЕТРИОЗА У ЖЕНЩИН В
РАЗНЫЕ ВОЗРАСТНЫЕ ПЕРИОДЫ**

*Кухарчик Ю. В., Кухарчик И. В., Павловская М. А.
Гродненский государственный медицинский университет,
г. Гродно, Беларусь
juliakukharchik@mail.ru*

Введение. Генитальный эндометриоз – одно из наиболее распространенных заболеваний органов репродуктивной системы. Однако истинная популяционная частота его неизвестна. По сводным данным, он встречается у 7-50% женщин детородного возраста. Частота эндометриоза по отношению к общему числу гинекологических пациентов, подвергшихся операции, варьирует от 10 до 25%. Следует подчеркнуть, что эндометриоз представляет собой серьезное заболевание, приводящее в ряде случаев к выраженным анатомическим изменениям в зоне его расположения. Одним из важнейших аспектов эндометриоза является его метастазирование лимфогенным или гематогенным путем, что приводит к обнаружению очагов эндометриоза в лимфоузлах. Одна из особенностей эндометриоза в том, что вокруг патологического очага почти всегда возникает воспалительная реакция. Внутренний эндометриоз занимает ведущее место в структуре рассматриваемой

патологии, а его диагностика остается еще недостаточно разработанной [1, 3, 5].

Миома матки и ее осложнения продолжают оставаться наиболее частой причиной операций в гинекологии. Однако несмотря на значительный прогресс в исследовании миомы матки, ряд ключевых моментов патогенеза этого заболевания остаются недостаточно изученными, что и не позволяло поднимать вопрос о ранней диагностике миомы матки. Сверххранней диагностикой миомы матки имеет смысл называть не столько выявление мелких миоматозных узелков, сколько выявление длительно существующих доклинических стадий – субституционных. На этом этапе становится возможным не только успешное консервативное лечение, но и профилактика одного из самых распространенных опухолевых гинекологических заболеваний [1, 2, 3, 5].

Внутренний эндометриоз сочетается с миомой матки у 55-85 % пациентов. Дифференциальная диагностика данных патологических состояний миометрия представляет значительные трудности. Гинекологические заболевания носят вероятностный характер, большинство диагностических признаков выражаются качественными показателями, недостаток априорной информации приводит к тому, что принятие решений врачом на всех этапах лечения осуществляется в условиях ряда неопределенностей, а характеристики пациента индивидуальны [3-5].

Цель. Провести анализ клинических особенности течения лейомиомы и эндометриоза у женщин в разные возрастные периоды.

Материал и методы исследования. Обследованы 113 женщин. Женщины всех групп были сопоставимы по возрасту. Для анализа пациентки были разделены на три группы: 1) с преобладанием поражения матки лейомиомой, 2) с преобладанием поражения матки аденомиозом; 3) с равным поражением аденомиозом и миомами. Критериями распределения по группам служили клинические проявления, локализация, размеры и форма миом, а также форма и степень распространения аденомиоза. Средний возраст обследованных составил $39,6 \pm 6,4$ года. Анализ антропометрических данных у пациенток не выявил статистических различий. Индекс массы тела в 91% случаев соответствовал норме и в среднем составил $23,1 \pm 0,2$ кг/м².

В ходе исследования проведена оценка анамнеза, результатов клинико-лабораторного и инструментального методов обследования. Статистическая обработка собственных данных производилась с применением статистических пакетов Statistica 10.0, Microsoft Excel, 2013.

Результаты. В результате гистологического исследования операционного материала от пациенток с диагнозом симптомной миомы в 84% случаев была подтверждена лейомиома, в 26,5% случаев миома сочеталась с аденомиозом. Лейомиома без аденомиоза выявлена у 27% пациенток, аденомиоз без лейомиомы – у 11,5%. Нами отобраны гистологические образцы материала, полученного в результате 30 лапаротомических гистерэктомий от пациенток разного возраста с сочетанной патологией. Из исследования были исключены пациентки с гиперпластическими процессами в эндометрии, доброкачественными образованиями яичников и быстрорастущими (пролиферирующими) миомами. Все миомы в исследовании соответствовали гистологической классификации «простая лейомиома». Основными жалобами пациенток были АМК и хроническая тазовая боль. При обследовании часто выявляли сопутствующую умеренную анемию с показателями гемоглобина 80-90 г/л. Анализ морфологического соотношения объемов поражения матки показал преобладание лейомиомы в 33,3% случаев, преобладание аденомиоза – в 26,7% случаев и преобладание лейомиомы со значительным влиянием аденомиоза – в 40% случаев. По формам аденомиоз распределился следующим образом: диффузная форма – 50%, диффузно-очаговая – 33%, диффузно-узловая – 10%. В группе пациенток, у которых по клинико-морфологической оценке превалировало поражение матки миомами, они характеризовались многоузловым поражением с наличием субмукозных узлов крупных размеров (более 5 см). Во всех случаях аденомиоз выявлялся в диффузной форме и не более 1 степени распространения. В группе пациенток с клинико-морфологическим преобладанием аденомиоза миомы характеризовались разнообразием форм и размеров: одиночные интрамуральные или субмукозные размерами до 3 см либо множественные мелкие интрамуральные и субмукозные до 1-2 см. Узлы были расценены как клинически малозначимые, то есть наличие только таких узлов не могло объяснять имевшуюся у

пациенток симптоматику. Таким формам поражения лейомиомой соответствовало разнообразие форм аденомиоза 2-3 степени, который в основном и определял клинику заболевания.

В третьей группе женщин преобладали множественные узлы миомы с собственной клинической значимостью, в том числе субмукозные, а также диффузно-очаговая форма аденомиоза, которая оказывала существенное влияние на течение сопутствующей патологии.

Заключение. При наличии у пациенток многоузлового поражения, миом крупных размеров или с субмукозным расположением узлов коморбидный аденомиоз не оказывает значительного влияния на клиническое течение миомы; при наличии мелких одиночных интрамуральных или субсерозных узлов, мелких субмукозных узлов клиника симптомных миом определяется поражением аденомиозом диффузно-узловой и диффузно-очаговой форм 2-3 степени.

Литература

1. Современные представления о тактике ведения больных с инфильтративным эндометриозом / В. Д. Чупрынин [и др.] // Акушерство и гинекология. – 2015. – № 11. – С. 16–22.
2. Dueholm, M. Uterine adenomyosis and infertility, review of reproductive outcome after in vitro fertilization and surgery / M. Dueholm // Acta Obstetrica et Gynecologica Scandinavica. – 2017. – Vol. 96 (6). – P. 715–726.
3. Epidemiology of uterine myomas: a review / R.Sparic [et al.] // International Journal of Fertility & Sterility. – 2016. – Vol. 9 (4). – P. 424–435.
4. Garcia, C. R. Management of the symptomatic fibroid in women older than 40 yrs of age: hysterectomy or myomectomy? / C. R. Garcia // Obstetrics and Gynecology Clinics of North America. – 1993. – Vol. 20. – P. 337–338.
5. Chronic pelvic pain in women: an epidemiological perspective / A.A.Ayorinde [et al.] // Medical Center Womens Health (Lond). – 2015. – Vol. 11 (6). – P. 851–864.

Summary

CLINICAL FEATURES OF THE COURSE OF LEIOMIOMA AND ENDOMETRIOSIS IN WOMEN DURING VARIOUS AGE PERIODS

Kuharchyk Y. V., Kuharchyk I. V., Pavlovskaya M. A.

*Grodno State Medical University, Grodno
juliakukharchik@mail.ru*

If patients have a multinodular lesion, large fibroids or with a submucous arrangement of nodes, comorbid adenomyosis does not significantly affect the clinical course of fibroids.

ГИГИЕНИЧЕСКАЯ ОЦЕНКА ПРОДУКТОВОГО НАБОРА ЖЕНЩИН-ВРАЧЕЙ АКУШЕРОВ-ГИНЕКОЛОГОВ РЕПРОДУКТИВНОГО ВОЗРАСТА

Лисок Е. С.

*Гродненский государственный медицинский университет,
г. Гродно, Беларусь
lisok.elena@yandex.ru*

Введение. Женщины-врачи акушеры-гинекологи выполняют профессиональные обязанности во вредных условиях труда, что оказывает комплексное негативное влияние на состояние их здоровья [4] и требует существенной коррекции рационов питания [2]. Однако в ряде исследований, посвященных проблемам рационального питания медицинских работников, показано, что их пищевые рационы далеко не всегда соответствуют физиологическим потребностям организма в энергии и пищевых веществах [3]. При этом гигиенические особенности питания женщин-врачей акушеров-гинекологов репродуктивного возраста все еще остаются практически неизученными, что определяет актуальность проведенного исследования.

Цель исследования. Оценить с гигиенических позиций рационы питания женщин-врачей акушеров-гинекологов репродуктивного возраста.

Материал и методы. Изучены рационы питания 300 женщин репродуктивного возраста (23-49 лет), занятых в организациях здравоохранения г. Гродно и Гродненской области.

Основную группу составили врачи акушеры-гинекологи (n=100), которая была разделена на две подгруппы: первая (n=50) – врачи, осуществлявшие производственную деятельность в стационарных условиях; вторая (n=50) – врачи, оказывавшие медицинскую помощь в амбулаторно-поликлинических условиях. В группу сравнения были включены врачи-терапевты участковые

(n=100). Группа контроля (n=100) была представлена женщинами с высшим образованием, занимавших должности бухгалтеров, экономистов, юристов и секретарей.

Продуктовый набор обследованных женщин изучен на основе метода анализа частоты потребления пищевых продуктов [1]. Полученные результаты сопоставлены со значениями показателей методических рекомендаций специалистов Научно-практического центра гигиены «Рациональные нормы потребления пищевых продуктов для различных групп населения Республики Беларусь».

Формирование исследовательской базы и статистические расчеты выполнены при применении пакета прикладных компьютерных программ Microsoft Office Excel 2013 и STATISTICA 10.0. Нормальность распределения количественных признаков оценена по критерию согласия Колмогорова-Смирнова. Полученные результаты представлены в виде медианы (Me) и интерквартильного диапазона ([Q1-Q3]). Для определения статистической значимости различий использован точный тест Фишера.

Результаты исследований. Гигиеническая оценка продуктового набора позволила установить, что пищевые рационы значительной части женщин основной группы характеризовались недостаточным среднесуточным потреблением продуктов животного и растительного происхождения.

Так, при рекомендуемом суточном потреблении мяса и мясопродуктов, составляющем 175,3-194,5 г/сут, у женщин-врачей акушеров-гинекологов обеих подгрупп медиана и интерквартильный диапазон составили 108,8 г/сут [63,88-218,6 г/сут] и 138,0 г/сут [90,01-193,9 г/сут], соответственно (группа сравнения – 106,0 г/сут [67,48-160,6 г/сут], группа контроля – 105,3 г/сут [68,55-183,5 г/сут]).

Суточное потребление рыбы и рыбопродуктов также было существенно снижено: медиана и интерквартильный диапазон у обследованных основной группы первой и второй подгрупп составили 11,6 г/сут [5,0-15,21 г/сут] и 10,0 г/сут [5,0-23,4 г/сут], соответственно (группа сравнения – 13,2 г/сут [6,5-30,0 г/сут], группа контроля – 6,5 г/сут [5,0-35,7 г/сут]), при рекомендуемом значении 52,05-54,79 г/сут.

Выявлено отклонение пищевых рационов от рекомендуемой нормы (852,0-964,3 г/сут) по потреблению молока и молочных продуктов: у женщин-врачей акушеров-гинекологов первой и второй подгрупп медиана и интерквартильный диапазон составили 216,6 г/сут [74,94-376,6 г/сут] и 180,7 г/сут [104,5-327,8 г/сут], соответственно (группа сравнения – 255,8 г/сут [139,9-481,5 г/сут], группа контроля – 226,5 г/сут [107,8-400,4 г/сут]).

Медиана и интерквартильный диапазон потребления яиц у обследованных основной группы первой и второй подгрупп составили 0,3 шт/сут [0,1-0,7 шт/сут] и 0,3 шт/сут [0,1-0,3 шт/сут], соответственно (группа сравнения – 0,3 шт/сут [0,1-0,7 шт/сут], группа контроля – 0,1 шт/сут [0,05-0,4 шт/сут]), при рекомендуемом значении 0,6-0,7 шт/сут.

Установлено также, что пищевые рационы характеризовались недостаточным потреблением хлеба и хлебобулочных изделий в сопоставлении с рекомендуемой суточной нормой (202,7-235,6 г/сут): у женщин-врачей акушеров-гинекологов обеих подгрупп медиана и интерквартильный диапазон составили 76,46 г/сут [44,56-133,9 г/сут] и 73,86 г/сут [27,6-119,8 г/сут], соответственно (группа сравнения – 70,0 г/сут [37,56-142,3 г/сут], группа контроля – 73,6 г/сут [20,79-130,6 г/сут]).

Суточное потребление овощей было также снижено: медиана и интерквартильный диапазон у обследованных основной группы первой и второй подгрупп составили 170,7 г/сут [88,71-337,2 г/сут] и 291,4 г/сут [137,2-480,6 г/сут], соответственно (группа сравнения – 261,9 г/сут [151,6-370,4 г/сут], группа контроля – 222,8 г/сут [116,6-291,5 г/сут]), при рекомендуемом значении 52,05-54,79 г/сут.

Выводы. Таким образом, среднесуточный продуктовый набор большинства женщин-врачей акушеров-гинекологов репродуктивного возраста характеризовался дефицитом потребления мясных, рыбных, молочных, хлебобулочных продуктов, яиц и овощей. Это при осуществлении профессиональной деятельности во вредных условиях труда, определявшихся длительным и постоянным воздействием вредных производственных факторов психофизиологической, биологической и химической природы, не позволяет удовлетворять физиологические потребности организма в энергии и пищевых веществах, что является существенным элементом ухудшения состояния их здоровья.

Литература

1. Изучение фактического питания на основе метода анализа частоты потребляемых продуктов: инструкция по применению № 017-1211, утв. М-вом здравоохранения Респ. Беларусь 15.12.11. – Минск, 2011. – 21 с.
2. Муканова, Д. Б. Управление безопасностью труда с помощью коррекции питания работников, занятых во вредных условиях труда / Д. Б. Муканова, К. А. Исин // Безопасность труда в пром-сти. – 2016. – № 11. – С. 44–49.
3. Оценка питания медицинских работников Тверской области: по результатам анкетирования / Д. Ю. Белик, Е. А. Тиунова, Н. П. Кириленко, А. В. Соловьева // Твер. мед. журн. – 2016. – № 2. – С. 33–35.
4. Селищева, И. Н. Комплексная социально-гигиеническая оценка трудового процесса и условий труда врачей акушеров-гинекологов // Вестн. Всерос. об-ва специалистов по медико-соц. экспертизе, реабилитации и реабилитац. индустрии. – 2011. – № 4. – С. 39–45.

Summary

HYGIENIC EVALUATION FOOD SET OF WOMEN-DOCTORS OBSTETRICIAN-GYNECOLOGISTS IN REPRODUCTIVE AGE

Lisok E. S.

*Grodno State Medical University, Grodno
lisok.elena@yandex.ru*

This article presents the results of hygienic evaluation food set of women-doctors obstetrician-gynecologists. It is shown that daily intake of basic animal and plant origin products was reduced.

СТРУКТУРА ЗАБОЛЕВАЕМОСТИ АРТЕРИАЛЬНОЙ ГИПЕРТЕНЗИЕЙ У ДЕТЕЙ В ГРОДНЕНСКОЙ ОБЛАСТИ

Лукиша А. В., Слонимская А. В., Шором Ю. К.

*Гродненский государственный медицинский университет, г. Гродно
drluksha@mail.ru*

Введение. Сердечно-сосудистые заболевания представляют собой актуальную проблему общественного здравоохранения и занимают лидирующую позицию в структуре общей смертности среди взрослого населения [1, 2, 4]. В Республике Беларусь летальность от них составляет от 51 до 57%, тем самым демонстрируя значимость существующей «эпидемии» [5].

Артериальная гипертензия (АГ) является распространенной патологией сердечно-сосудистой системы и рассматривается в качестве одного из ключевых факторов риска кардиоваскулярных заболеваний, приводящих к инвалидности и смертности среди населения трудоспособного возраста [3].

Цель исследования: изучить эпидемиологию и гендерную структуру АГ у детей Гродненской области за 2014-2018 гг.

Материалы и методы. Проведен ретроспективный анализ данных годовых отчетов о медицинской помощи детям с АГ (форма 1-дети) за 2014-2018 гг. и медицинских карт стационарного пациента ГУЗ «Гродненская областная детская клиническая больница» за период с 2014 по 1-ое полугодие 2019 гг.

Верификация диагноза АГ у детей осуществлялась на основании общепринятых критериев диагностики. Статистическая обработка полученных данных проводилась непараметрическими методами статистического анализа с помощью программы Statistica, версия 10.0.

Результаты исследования. По материалам статистических отчетов, общая заболеваемость АГ среди детей Гродненской области за период 2014-2018 гг. представлена на рисунке 1.

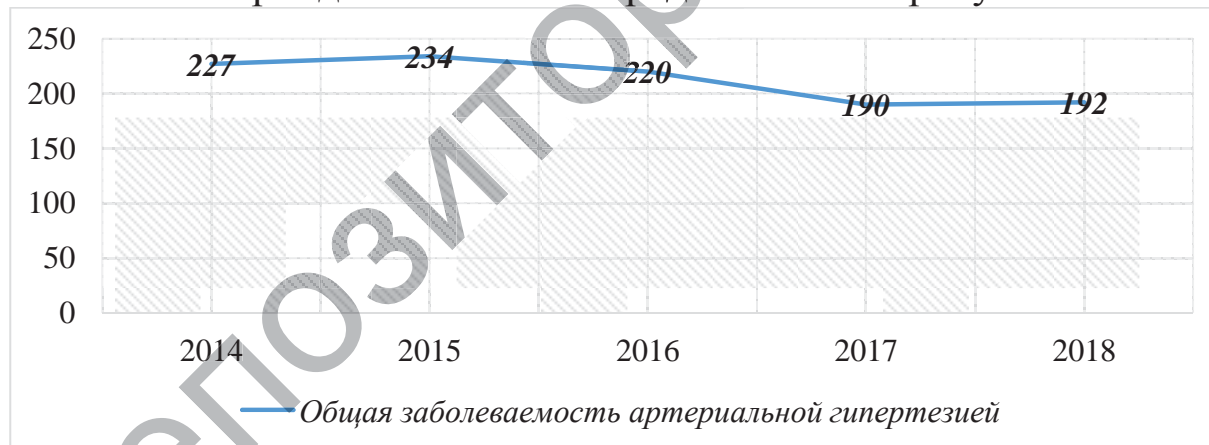


Рисунок 1. – Общая заболеваемость детей Гродненской области АГ в 2014-2018 гг.

Приведенные данные на рисунке 1 свидетельствуют, что ежегодная общая заболеваемость детей с АГ в 2014-2016 гг. сохранялась на одинаковом уровне ($p > 0,05$), однако в 2017 и 2018 годах отмечается тенденция к уменьшению случаев АГ среди детей по сравнению с предыдущими годами ($p < 0,05$).

На рисунке 2 показана первичная заболеваемость АГ детей Гродненской области за исследуемый период.

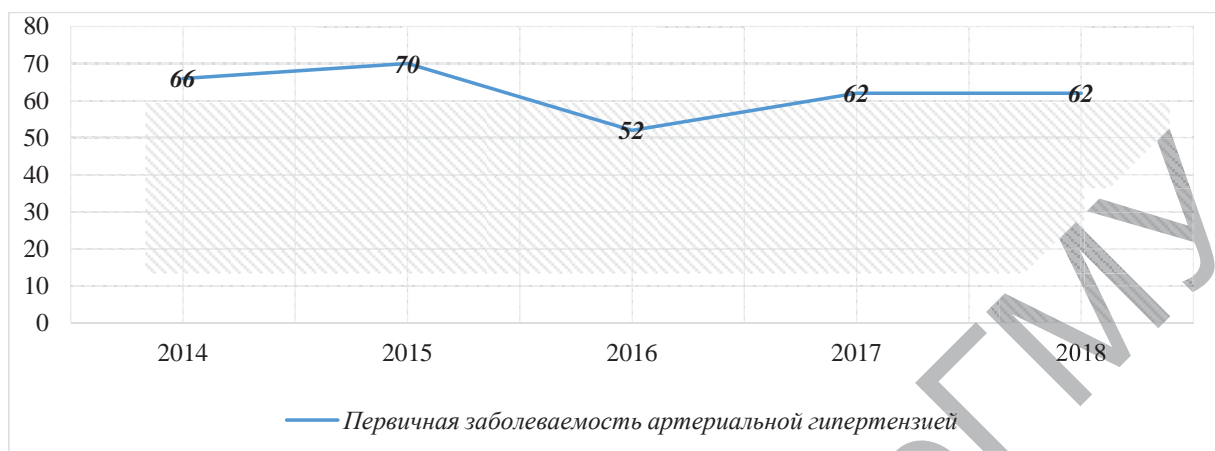


Рисунок 2. – Первичная заболеваемость АГ детей Гродненской области в 2014-2018 гг.

Анализ первичной заболеваемости детей Гродненской области АГ показал, что уровень впервые выявленных случаев АГ сохраняется стабильным на протяжении пятилетнего периода наблюдения, составляя в среднем 61,4 случаев в год ($p > 0,05$).

Половая структура детей с АГ, которые были однократно госпитализированы в ГУЗ «Гродненская областная детская клиническая больница» с 2014 по 1-ое полугодие 2019 года представлена на рисунке 3.



Рисунок 3. – Гендерная структура детей с АГ однократно госпитализированных в ГУЗ «Гродненская областная детская клиническая больница» с 2014 по 1-ое полугодие 2019 гг.

Выводы.

1. Показатель общей заболеваемости АГ детей Гродненского региона в 2014-2016 гг. сохранялся на одинаковом уровне ($p > 0,05$), однако в 2017-2018 годах зарегистрировано его незначительное снижение ($p < 0,05$).

2. Первичная заболеваемость АГ детей Гродненской области за пятилетний период наблюдения находится на постоянном уровне ($p > 0,05$), составляя в среднем 61,4 впервые выявленных случаев за год.

3. Пациенты мужского пола преобладают в гендерном соотношении среди госпитализированных пациентов с АГ ($p = 0,0001$).

Литература

1. 2016 European Society of Hypertension guidelines for the management of high blood pressure in children and adolescent / E. Lurbe [et al.] // [J Hypertens.](#) – 2016. – Vol. 34, № 10. – P. 1887-920.

2. 2018 ESC/ESH Guidelines for the management of arterial hypertension / B. Williams [et al.] // [Eur Heart J.](#) – 2018. – Vol. 39, № 33. – P. 3021-3104.

3. Childhood to early-midlife systolic blood pressure trajectories: early-life predictors, effect modifiers, and adult cardiovascular outcomes / R. F. Theodore [et al.] // [Hypertension.](#) – 2015. – Vol. 66, № 6. – P. 1108-1115.

4. Diagnosis, Evaluation, and Management of High Blood Pressure in Children and Adolescents / Carissa M. Baker-Smith [et al.] // [PEDIATRICS.](#) – 2018. – Vol. 142 (3). – P. 18.

5. Сердечно-сосудистые заболевания в Республике Беларусь: анализ ситуации и стратегия контроля / А.Г. Мрочек [и др.]. – Минск : Белорус. наука, 2011. – 342 с.

Summary

THE STRUCTURE OF THE INCIDENCE OF ARTERIAL HYPERTENSION IN CHILDREN OF THE GRODNO REGION

Luksha A. V., Slonimskaya A. V., Shorom J. K.

Grodno State Medical University, Grodno

drluksha@mail.ru

Background. Arterial hypertension is a common pathology of the cardiovascular system and is considered as one of the leading risk factors for cardiovascular diseases. *Objective:* to study the epidemiology and gender structure of hypertension in children of the Grodno region for 2014-2018. *Material and methods.* A retrospective analysis of the

statistical data from regional health care annual reports was performed for the period from 2014 to 2018. *Results and conclusions.* The primary incidence of hypertension in children of the Grodno region over the past 5 years of observation remains at a constant level ($p > 0,05$), averaging 61,4 newly diagnosed cases per year. Male patients prevailed in the gender ratio among hospitalized patients with hypertension ($p = 0,0001$).

СОСТОЯНИЕ ПРОЦЕССОВ ПЕРЕКИСНОГО ОКИСЛЕНИЯ ЛИПИДОВ В ЗАДНЕЙ СТЕНКЕ ГЛАЗА В ДИНАМИКЕ ЭКСПЕРИМЕНТАЛЬНОЙ ПОДПЕЧЕНОЧНОЙ ОБТУРАЦИОННОЙ ЖЕЛТУХИ

Мармыш В. Г., Гуляй И. Э.

*Гродненский государственный медицинский университет, г. Гродно
vitalimarmysh@gmail.com*

Введение. В настоящее время установлено, что прекращение энтерогепатической циркуляции желчи и увеличение ее компонентов в тканях внутренней среды организма приводит к развитию эндогенной интоксикации [2]. Известно, что в развитии многих патологических процессов и заболеваний важную роль играют процессы перекисного окисления липидов (ПОЛ), рассматриваемые как один из универсальных, фундаментальных механизмов повреждения клеточных мембран. Данные повреждения обусловлены способностью свободных радикалов вступать в реакцию с молекулами клеточных мембран и разрушать их путём развития каскада реакций свободно-радикального окисления. Свободные радикалы регулируют ключевые моменты трансдукции и важнейшие внутриклеточные процессы, включая фосфорилирование белков, передачу генетической информации, активацию факторов транскрипции ДНК и клеточной пролиферации, участвует в поддержании тонуса сосудов, образовании различных факторов роста, синтеза простагландинов. В норме свободно-радикальные процессы и процессы ПОЛ строго регулируются системой антиоксидантной защиты, которая функционирует на уровне молекул, клеток, тканей, органов и организма в целом, поддерживая гомеостаз. Однако при многих патологических состояниях это равновесие нарушается за счёт

активации ПОЛ или ослабления антиоксидантной защиты, что приводит в конечном итоге к повреждению тканей.

Доказана роль свободных радикалов и ПОЛ в патогенезе более, чем 100 заболеваний и патологических состояний. При этом для разных заболеваний характерные сходные изменения в клетках и тканях организма. Известно, что развитие многих заболеваний органа зрения – катаракты, ретинальных дистрофий, глаукомы, возрастной макулярной дегенерации, псевдоэкзофалиативного синдрома, диабетической ретинопатии, увеитов, травматических гемофтальмов, герпетических кератитов также связано с ПОЛ [3].

В литературе отсутствуют данные о динамике изменения свободнорадикальных процессов в тканях оболочек глаза в зависимости от продолжительности механической желтухи и, соответственно, сроков гипербилирубинемии, что представляет собой особую актуальность.

Цель исследования. Изучить активность процессов ПОЛ в оболочках задней стенки глаза в динамике экспериментального подпеченочного обтурационного холестаза.

Материалы и методы. Эксперимент выполнен в соответствии с Хельсинкской Декларацией о гуманном отношении к животным. В работе использован материал от 80 беспородных белых крыс-самцов, массой 250 ± 50 г. Все опытные животные были разделены на 4 группы. В первой ($n=10$), второй ($n=10$), третьей ($n=10$) и четвертой ($n=10$) группах опытных животных под эфирным наркозом обтурационный подпеченочный холестаз, продолжительностью 1, 3, 5 и 10 суток соответственно, моделировали путем перевязки и последующего пересечения общего желчного протока (ОЖП) между двумя шелковыми лигатурами в области впадения в последний долевых печеночных протоков. У контрольных крыс ($n=40$) производили ложную операцию – ОЖП оставляли интактным. Все оперированные животные содержались в индивидуальных клетках со свободным доступом к воде и пище. В гомогенатах стенки сердца активность свободнорадикальных процессов оценивали по содержанию первичных (диеновые конъюгаты) и третичных (триеновые конъюгаты) [4], вторичных – малоновый диальдегид [1] продуктов ПОЛ. Статистическую обработку результатов исследований проводили с использованием пакетов статистических программ

GraphPad Prism v.6.0 и StatSoft STATISTICA 8.0. Данные представлены в виде $M \pm m$, где M – среднее арифметическое в выборочной совокупности, m – стандартная ошибка среднего. Сравнительный анализ произведен с помощью t-критерия Стьюдента для нормального распределения признака. Различия между контрольной и опытной группами считались достоверными при двустороннем уровне значимости $p < 0,05$, когда вероятность различий была больше или равна 95%.

Результаты исследований. Результаты исследований показали, что спустя 24 часа эксперимента на фоне нарушений внешнесекреторной функции печени в гомогенатах тканей задней стенки глаза опытных крыс происходит значительное снижение наработки продуктов ПОЛ: уменьшается уровень диеновых конъюгатов (ДК) ($p < 0,001$) и триеновых конъюгатов (ТК) ($p < 0,001$), при незначительном увеличении содержания малонового диальдегида (МДА) (Таблица).

Таблица – Показатели процессов ПОЛ в задней стенке глаза крыс в динамике экспериментального обтурационного подпеченочного холестаза

Показатель	Контроль ($M \pm m$)	Опыт ($M \pm m$)
24 часа холестаза		
ДК (ед/г ткани)	62,63±4,01	47,21±1,60***
ТК (ед/г ткани)	21,17±0,60	15,44±0,56***
МДА (мкмоль/г ткани)	25,64±1,75	30,23±1,19
72 часа холестаза		
ДК (ед/г ткани)	62,9±2,08	66,37±2,78
ТК (ед/г ткани)	21,46±0,76	21,05±1,04
МДА (мкмоль/г ткани)	28,21±1,84	36,59±1,53**
5 суток холестаза		
ДК (ед/г ткани)	57,04±3,75	60,28±1,46
ТК (ед/г ткани)	21,08±1,06	8,98±0,40***
МДА (мкмоль/г ткани)	27,55±1,22	34,68±0,65***

10 суток холестаза		
ДК (ед/г ткани)	56,17±2,71	95,20±8,61***
ТК (ед/г ткани)	21,64±2,62	60,81±8,49***
МДА (мкмоль/г ткани)	27,63±6,01	11,43±0,66***

Примечание – ** – показатель достоверности $p < 0,01$;
*** – показатель достоверности $p < 0,001$;

Спустя 72 часа эксперимента в гомогенатах тканей задней стенки глаза достоверно возрастает лишь содержание конечного продукта перекисного окисления липидов – МДА ($p < 0,01$), благодаря которому, в конечном итоге, возможно образование нерастворимые липидбелковые комплексы, которые иногда называют «пигментами изнашивания» (липофусцинами), тогда как концентрация ДК и ТК практически не отличается от контрольных величин. Через 5 суток подпеченочного обтурационного холестаза в оболочках задней стенки глаза продолжает оставаться увеличенным содержание МДА ($p < 0,001$), при этом неизменным остается содержание ДК, но достоверно уменьшается концентрация ТК ($p < 0,001$). Спустя 10 суток эксперимента у опытных крыс с подпеченочным обтурационным холестазом в оболочках задней стенки глаза отмечается увеличение уровня ДК ($p < 0,001$) и ТК ($p < 0,001$) при значительном снижении содержания малонового диальдегида (Таблица).

Заключение. Таким образом, на протяжении 10 суток от начала моделирования подпеченочного обтурационного холестаза в оболочках задней стенки глаза происходит волнообразное изменение содержания начальных и конечных (МДА) продуктов ПОЛ. Пероксидация способна приводит их клетки в порочный круг нарушения биоэнергетики, к повреждению и гибели.

Литература

1. Камышников, В.С. Справочник по клинико-биохимической лабораторной диагностике: в 2 т / В.С. Камышников. – Мн.: Беларусь, 2000. – Т 1. – 495 с.
2. Кизюкевич, Л.С. Реактивные изменения в почках при экспериментальном холестазе: монография / Л.С. Кизюкевич. — Гродно, 2005. – 239 с.
3. Кравчук, Е.А. Роль свободнорадикального окисления в патогенезе заболеваний глаз / Е.А. Кравчук // Вестник офтальмологии. – 2004. - №5. – С.48-51.

4. Сопоставление различных подходов к определению продуктов ПОЛ в гептан-изопропанольных экстрактах крови / И.А. Волчегорский [и др.] // Вопр. мед. химии. – 1989. –Т. 35, №1. – С. 127-131.

Summary

STATE OF LIPID PEROXIDATION PROCESSES IN THE POSTERIOR WALL OF THE EYEBALL IN DYNAMIC OF EXPERIMENTAL CHOLESTASIS

Marmysh V. G., Gulyai I. E.

*Grodno State Medical University, Grodno
vitalimarmysh@gmail.com*

Currently, it has been established that obstructive cholestasis leads to the accumulation of bile components in various tissues of the organism and to the development of endogenous intoxication and oxidative stress. There is no information in the literature about the effect of the increased concentration of bilirubin, as well as toxic bile acids in the blood on the LPO processes in the tissues of the eye. In an experimental study, we showed that in a 1-10-day of obturation cholestasis in rats, increased concentration of lipid peroxidation products in the tissues of posterior wall of the eyeball is observed.

ВЗАИМОСВЯЗЬ ПОЛИМОРФИЗМА BSM I ГЕНА VDR И УРОВНЯ ВИТАМИНА D У ДЕТЕЙ С ЮВЕНИЛЬНЫМ ИДИОПАТИЧЕСКИМ АРТРИТОМ

Мысливец М. Г.

*Гродненский государственный медицинский университет, Гродно,
Беларусь
marynadok@gmail.com*

Введение. В Республике Беларусь заболевания костно-мышечной системы у детей – актуальная проблема современного здравоохранения, а ювенильный идиопатический артрит (ЮИА) занимает лидирующее место в структуре инвалидизации среди детского населения [1].

Известно, что ЮИА представляет собой системное хроническое деструктивно-воспалительное заболевание суставов с аутоиммунным патогенезом, в основе развития которого лежит

дисбаланс разных субпопуляций CD₄⁺ – лимфоцитов, и избыточный синтез провоспалительных цитокинов [2]. Учитывая полигенный характер предрасположенности к развитию ЮИА, интерес вызывает ген рецептора витамина D (VDR), который опосредованно осуществляет иммунорегуляторные эффекты [3]. Так, в работах последних лет выявлено, что VDR экспрессируется на клетках иммунной системы: моноцитах, макрофагах, активированных лимфоцитах, клетках тимуса и др. [4].

Цель исследования. Определить уровень витамина D при полиморфизме Bsm I гена VDR.

Материал и методы. В соответствии с поставленной целью на базе УЗ «Гродненская областная детская клиническая больница» были обследованы 56 пациентов с верифицированным диагнозом ЮИА. Всем детям проводились клинико-лабораторные и инструментальные исследования. Дополнительно в сыворотке венозной крови определялся уровень 25-гидрокси-холекальциферола (25(OH)D total) с использованием наборов DRG 25-OH Vitamin D (total) ELISA EIA-5396 для твердофазного меченного ферментом иммуноферментного анализа. Молекулярно-генетическое исследование полиморфизма BsmI с.IVS7 +283 G>A в гене рецептора витамина D проводили методом полимеразной цепной реакции с электрофоретической детекцией результата, применяя набор реактивов производства «Литех» (Россия). Полученные цифровые данные обработаны с использованием программы STATISTICA 10.0 (Stat Soft, Inc., США), лицензионный номер AXHAR207F394425FA-Q.

Результаты исследования. Анализ частоты встречаемости генотипов Bsm I полиморфного гена VDR у пациентов с ЮИА показал, что в этой группе пациентов преобладал генотип GG и GA (22 (39,3%) в 25 (44,6%)) случаях. Это достоверно чаще по сравнению с генотипом AA 9 (16,1%) случаев ($p < 0,05$). У пациентов с ЮИА выявлен более высокий уровень 25(OH)D в сыворотке крови при гомозиготном генотипе GG (20,4 (12,8; 25,2) нг/мл) по сравнению с пациентами, имеющими гомозиготный генотип AA (13,2 (12,3; 15,7) нг/мл) ($p = 0,03$). Уровень витамина D в сыворотке крови при генотипе GA составил 15,7 (13,0; 19,2) нг/мл.

Вывод. У пациентов с ЮИА наиболее часто встречался генотип GG и GA полиморфизма BsmI гена VDR. Дети,

являющиеся носителями генотипов AA, имели значимо низкий уровень 25(OH)D ($p=0,03$), чем пациенты данной группы, имеющие GG генотип.

Литература:

1. Беляева, Л. М. Болезни суставов у детей: метод. пособие / Л. М. Беляева, И. Д. Чижевская. – Минск: ДокторДизайн, 2015. – 112 с.
2. One year in review 2016 : pathogenesis of rheumatoid arthritis / E. Bellucci [et al.] // ClinExpRheumatol. – 2016. – Vol. 34. – P. 793–801.
3. Gruber, B. M. The phenomenon of vitamin D / B. M. Gruber // Postery Hig Med Dosw. – 2015. – Vol. 69 (0). – P. 127–139.
4. Hewison, M. Vitamin D and the immune system: new perspectives on an old theme / M. Hewison // Endocrinol. Metab. Clin. North Am. – 2010. – Vol. 39, № 2. – P. 365–379.

Summary

THE ASSOCIATION BETWEEN THE VITAMIN D RECEPTOR GENE BSM I POLYMORPHISM AND THE LEVEL OF VITAMIN D IN CHILDREN WITH JUVENILE IDIOPATHIC ARTHRITIS

Myslivets M. G.

*Grodno State Medical University, Grodno
marynadok@gmail.com*

56 patients with juvenile idiopathic arthritis were examined. Bsm I polymorphic variant of vitamin D receptor gene was identified with the help of in polymerase chain reaction. Vitamin D [25(OH)D total] serum level was evaluated by ELISA test. It has been established that in the group of patients with juvenile idiopathic arthritis the frequency of GA genotype and GG was statistically higher than AA genotype. The average blood serum level of 25(OH)D in patients with AA genotype was lower than that with GA and GG genotype Bsm I polymorphic variant of vitamin D receptor gene.

ДИАГНОСТИКА СТРЕССОВОГО НЕДЕРЖАНИЯ МОЧИ У ЖЕНЩИН С ГЕНИТАЛЬНЫМ ПРОЛАПСОМ МЕТОДАМИ ЛУЧЕВОЙ ВИЗУАЛИЗАЦИИ

¹ Нечипоренко А. С., ² Михайлов А. Н.
(¹salejanna@mail.ru, ²sakura33@bk.ru)

¹ Учреждение здравоохранения «Гродненская областная клиническая
больница», г. Гродно, Беларусь

² Государственное учреждение образования «Белорусская медицинская
академия последипломного образования», г. Минск, Беларусь

Введение. Генитальный пролапс (ГП) – одно из самых распространенных заболеваний тазовых органов у женщин. Наиболее частым видом ГП является цистоцеле с развитием дизурических расстройств (ДР) в виде стрессового недержания мочи (СНМ) и обструктивного мочеиспускания (ОМ) [1, 2, 3]. Расширение знаний и представлений о патогенезе ГП и СНМ повлекло за собой потребность в разработке объективных и документирующих методов диагностики этих заболеваний [1, 6, 7, 8, 9].

Цель исследования. Повышение эффективности диагностики цистоцеле и СНМ методами лучевой визуализации.

Материал и методы. Работа основана на результатах статической МРТ (сМРТ) и динамической МРТ (дМРТ), результатах модифицированного часового Pad-test'a.

С целью диагностики минимального СНМ применили модифицированный часовой Pad-test: после самостоятельного опорожнения мочевого пузыря (МП) пациентке внутривенно вводят 40 мл йодсодержащего контрастного препарата и 5,0 мл 0,4% раствора индигокармина. Пациентка укладывает гигиеническую прокладку в белье и проводится часовой Pad-test. Появление на прокладке голубого или синего пятна после окончания теста является признаком СНМ. Рентгенограмму прокладки выполняют в случае, если пятно на прокладке бесцветное. Контрастная тень на рентгенограмме прокладки является документальным подтверждением потери именно содержимого МП – признак СНМ [10].

Проводили сМРТ органов таза по стандартным протоколам сканирования. Методика дМРТ позволяет получить большое количество изображений через один срез в режиме реального

времени, с использованием модифицированных программ Single Short T2/TSE или Balanced FFE. Повышающееся внутрипузырное давление у пациенток с СНМ при проведении пробы Вальсальвы вызывает открытие внутреннего просвета уретры с непроизвольным заполнением ее содержимым МП – патогномоничный признак СНМ, что четко фиксируется на дМРТ-сканах [11].

Морфометрические ориентиры и показатели для диагностики цистоцеле и гипермобильности уретры: при оценке данных сМРТ – сУИУ (значения угла инклинации уретры); при оценке данных дМРТ – дУИУ (значения угла инклинации уретры).

Результаты и обсуждение. Методика модифицированного часового Pad-test'a применена у 21 (28,8%, ДИ 18,4–39,2%) пациентки. По окончании теста на прокладке у 16 (76,2%, ДИ 58,0–94,4%) женщин визуально определялось голубое пятно, а на рентгенограммах прокладок определялась слабоконтрастная тень – признак СНМ. У 3 (14,3%, ДИ 0,7–29,3%) пациенток по окончании теста на прокладке зафиксировано влажное бесцветное пятно, что ставило под сомнение СНМ минимальных объемов. На рентгенограммах прокладок определялась слабоконтрастная тень – признак СНМ. У 2 (9,5%, ДИ 3,0–22,0%) женщин на прокладке было бесцветное влажное пятно, на рентгенограмме прокладки не отмечено тени контрастного вещества – модифицированный часовой Pad-test отрицательный. Операционные характеристики Pad-test'a: Se=100%, Sp=100%, Pv+=100%, -Pv=100% и точность = 100%.

Изолированного повреждения связок уретры не встречается, любой вид несостоятельности парауретральных и периуретральных связок уретры, обеспечивающих ее физиологическое положение, сопровождается стрессовым недержанием мочи (Se=76,2%, Sp=100%, точность = 79,4, общая информативность Jxi = 3,1, ДК=9,3).

Значения показателя УИУ по результатам сМРТ более 30° обладают высокой специфичностью в диагностике цистоцеле (100%), но недостаточной чувствительностью (52.4%), общая диагностическая информативность теста велика (5,62), что позволяет применять сУИУ только в качестве одного из первых этапов диагностики цистоцеле методом сМРТ.

При дМРТ факт наличия СНМ зафиксирован у 48 пациенток (65,8%, ДИ 54,9%–76,7%) из 73. Все 48 пациенток имели жалобы на непроизвольную потерю мочи при физическом напряжении.

Данный факт подтверждается высокими показателями чувствительности ($Se=100\%$), специфичности ($Sp=100\%$) и других операционных характеристик ($Pv+=100\%$, $-Pv=100\%$ и $точность=100\%$) метода МРТ в диагностике СНМ. При этом у 19 (39,6%, ДИ 25,8-53,4%) пациенток была минимальная форма СНМ, подтвержденная ранее с помощью модифицированного Pad-test'a.

Разработанный метод дМРТ позволяет объективно диагностировать цистоцеле по показателю дУИУ ($Se=76,2\%$, $Sp=100\%$, $Jx_i=7,98$). На основании данного критерия представляется возможным классифицировать цистоцеле по степеням: цистоцеле I степени – значения $\geq 35^\circ$ и $\leq 75^\circ$; цистоцеле II степени – значения $>75^\circ$. При цистоцеле I степени ДР проявляются только в виде СНМ, при цистоцеле II степени частота расстройств в виде СНМ уменьшается ($\chi^2=4,17$, $p<0,04$), а появляется и преобладает ОМ.

Выводы. Модифицированный Pad-test позволяет получить документальное подтверждение минимального СНМ по контрастному пятну на рентгенограмме гигиенической прокладки ($Se=100\%$, $Sp=100\%$).

Любой тип несостоятельности парауретральных и периуретральных связок уретры, обеспечивающих ее физиологическое положение, сопровождается СНМ ($Se=76,2\%$, $Sp=100\%$). Значения показателя УИУ по результатам сМРТ более 30° обладают высокой специфичностью в диагностике цистоцеле – 100%, но недостаточной чувствительностью – 52,4%, при этом общая диагностическая информативность теста – 5,62.

Разработанная методика дМРТ таза позволяет выявить и документировать все случаи наличия СНМ у женщин с ГП. Данный факт фиксируется в изображении и является документальным подтверждением СНМ ($Se=100\%$, $Sp=100\%$). Метод динамической МРТ таза позволяет объективно диагностировать цистоцеле по показателю УИУ ($Se=76,2\%$, $Sp=100\%$, $Jx_i=7,98$). Данный критерий позволяет классифицировать цистоцеле по степеням: цистоцеле I степени – значения $\geq 35^\circ$ и $\leq 75^\circ$; цистоцеле II степени – значения $>75^\circ$. При I степени цистоцеле ДР проявляются только в виде СНМ, при цистоцеле II степени частота расстройств в виде СНМ уменьшается ($\chi^2=4,17$, $p<0,04$), а появляется и преобладает ОМ.

Литература

1. Нечипоренко, А. Н. Генитальный пролапс / А. Н. Нечипоренко, Н. А. Нечипоренко, А. В. Строчкий. – Минск : Выш. шк., 2014. – 399 с. + 1 электрон. опт. диск (CD-ROM).
2. Пролапс гениталий / С. Н. Буянова [и др.] // Рос. вестн. акушера-гинеколога. – 2017. – Т. 17, № 1. – С. 37–45.

Summary

DIAGNOSIS OF URINARY INCONTINENCE IN WOMEN WITH GENITAL PROLAPSE BY METHODS OF RADIATION IMAGING

*Nechiporenko A. S., 2 Mikhailov A. N.
(¹salejanna@mail.ru, ²sakura33@bk.ru)*

¹Grodno regional clinical hospital, Grodno

²Belarusian medical Academy of postgraduate education, Minsk

The modified hour Pad-test confirms and documents the minimum volume stress urinary incontinence. An MRI of the pelvis detects and documents all cases of the presence of stress urinary incontinence in women with genital prolaps, allows for an objective diagnosis of the cystocele, and for its stage.

АЛГОРИТМ ВЫБОРА МЕТОДА ХИРУРГИЧЕСКОГО ЛЕЧЕНИЯ ПАХОВЫХ ГРЫЖ У ПАЦИЕНТОВ ПОЖИЛОГО ВОЗРАСТА

¹Новицкая В. С., ²Жук С. А.

*¹Гродненский государственный медицинский университет,
г. Гродно, Беларусь*

*²Городская клиническая больница скорой медицинской помощи,
г. Гродно, Беларусь
Vera.nov@inbox.ru*

Введение. Современная концепция лечения паховых грыж предусматривает применение как натяжных, так и атензионных методов герниопластики [2, 4]. Однако четких критериев, позволяющих выбрать метод атензионной или натяжной паховой герниопластики, базирующийся на оценке состояния топографо-анатомических параметров и мышечно-апоневротических структур паховой области, до настоящего времени не разработано [3].

Цель исследования. Разработать алгоритм выбора атензионного или натяжного пахового грыжесечения с применением ультразвуковой или интраоперационной морфометрии топографо-анатомических параметров пахового канала.

Материал и методы. В основу работы положены результаты исследования топографо-анатомических параметров пахового канала у 45 пациентов с паховыми грыжами II и IIIa типов (по L. Nyhus) методом ультразвуковой и интраоперационной морфометрии. Ультразвуковое исследование выполняли с помощью прибора Sonoase 5500 с линейным датчиком 7,5 МГц в В-режиме, а интраоперационную морфометрию – с помощью специально разработанных инструментов. Измерялись: высота (h) пахового промежутка; совокупная толщина внутренней косой и поперечной мышц живота (m). Полученные данные обрабатывали с помощью лицензионной компьютерной программы Statistica 6.0 для Windows (Stat Soft, Inc., США, серийный номер 31415926535897) с применением описательной статистики. Для каждого показателя определяли значение медианы (Me) и интерквартильного диапазона (IQR). Сравнение групп по одному признаку проводили с помощью критерия Манна-Уитни.

Результаты исследования. Сравнение данных результатов УЗИ и морфометрии совокупной толщины внутренней косой и поперечной мышц живота и высоты пахового промежутка при паховых грыжах не позволило выявить достоверных различий показателей в зависимости от метода исследования. При этом были выявлены различия в высоте пахового промежутка и совокупной толщине мышц верхней стенке пахового канала, что свидетельствует о необходимости дифференцированного подхода к выбору метода паховой герниопластики. С этой целью нами была предложена математическая модель расчета коэффициента выбора метода атензионной или натяжной герниопластики. Для определения порога коэффициента выбора k нами построено уравнение логистической регрессии с бинарным откликом и пробит-функцией связи [1]. Это уравнение составлено на основании данных наблюдений за выборкой из 106 пациентов – мужчин молодого, среднего и пожилого возраста. Для каждого из испытуемых определялись следующие показатели: h – высота пахового промежутка (мм) m – совокупная толщина мышц верхней

стенки пахового канала (мм), k — коэффициент выбора, а рецидив — бинарная переменная, принимающая значение 0, если рецидива не было, и 1, если рецидив был. Исследования показали, что оценки коэффициентов предикторов статистически значимы, поэтому оба предиктора: свободный член (Intercept) и коэффициент выбора (K) включены в модель. Линейный предиктор (пробит) уравнения логистической регрессии, согласно данной модели, будет иметь вид: $\text{Probit}(p) = -9,463 \cdot (\text{Intercept}) + 1,895 \cdot k$. Принятие решения об отнесении испытуемого к группе 0 или группе 1 выполняется следующим образом: если $\Phi(\text{Probit}(p)) < p_0$, принимается решение об отнесении испытуемого к группе 0, если $\Phi(\text{Probit}(p)) > p_0$, принимается решение об отнесении испытуемого к группе 1. Выбор порога отсечения определяется значениями чувствительности, специфичности и точности классификации. Решение уравнения $p_0 = -9,463 \cdot (\text{Intercept}) + 1,895 \cdot k_0$ дает нам следующее значение порога отсечения коэффициента выбора: $k_0 = 4,83$. После этого определяли коэффициент K выбора способа натяжной или атензионной паховой герниопластики по формуле: $K = h : m$, где h — высота пахового промежутка (мм), m — совокупная толщина мышц верхней стенки пахового канала (мм). Полученные результаты позволили нам предложить алгоритм выбора метода пахового грыжесечения (рис. 1).



Рисунок 1. — Алгоритм выбора метода паховой герниопластики.

Выводы. Предлагаемый алгоритм выбора метода натяжной или атензионной герниопластики прост в применении, позволяет планировать характер оперативного вмешательства на этапе предоперационной подготовки или во время проведения оперативного вмешательства.

Литература

1. Мастицкий С. Э., Шитиков В. К. (2014) Статистический анализ и визуализация данных с помощью R. – Электронная книга [Электронный ресурс]. Режим доступа: www.ievbras.ru/ecostat/Kiril/R/Mastitsky%20and%20Shitikov%202.pdf – Дата доступа: 24.09.2019.
2. Назарьянц, Ю. А. Способ лечения паховых грыж / Ю. А. Назарьянц, С. И. Петрушко // Современные проблемы науки и образования. – 2016.– № 6. – С. 123-129.
3. Смотрин, С. М. Хирургия паховых грыж в Гродненском регионе. Пути совершенствования подходов к выбору метода герниопластики / С. М. Смотрин, С. А. Визгалов, С. А. Жук, В. С. Новицкая, Д. Н. Пухов // Журнал Гродненского государственного медицинского университета. – 2018. –Т.16 (4). – С. 497-501.
4. Vironen, J. Randomized clinical trial of Lichtenstein patch or Prolene Hernia System for inguinal hernia repair / J. Vironen, J. Nieminen, A. Eklund et al. // Br. J. Surg. –2006. Vol. 93, №1. – P. 33– 39.

Summary

ALGORITHM FOR CHOOSING THE METHOD OF SURGICAL TREATMENT OF INGUINAL HERNIA IN ELDERLY PATIENTS

¹Novitskaya V. S., ²Zhuk S. A.

¹*Grodno State Medical University, Grodno*

²*City Clinical Emergency Hospital Grodno*

Vera.nov@inbox.ru

An algorithm has been developed for selecting atensional or traction inguinal hernia cutting using ultrasound or intraoperative morphometry of topographic and anatomical parameters of the inguinal canal. The coefficient of choice of the method of inguinal hernioplasty (K) is proposed by the formula: $K = h : m$, where h - is the height of the inguinal gap (mm), m - is the total thickness of the muscles forming the upper wall of the inguinal canal (mm). At $K > 4.83$, the patient is recommended to use atension hernioplasty, and at $K < 4.83$, tension methods of hernioplasty are recommended.

ФОНД НИЗКОМОЛЕКУЛЯРНЫХ СЕРОСОДЕРЖАЩИХ СОЕДИНЕНИЙ В МОЗЖЕЧКЕ КРЫС ПОСЛЕ МЕТИОНИНОВОЙ НАГРУЗКИ

Новгородская Я. И.

*Гродненский государственный медицинский университет,
г. Гродно, Беларусь
yananovogrodskaya@mail.ru*

Актуальность. Роль гомоцистеина при некоторых неврологических заболеваниях остается неизученной. Многими исследователями высказано предположение о том, что он играет важную роль в формировании неврологических расстройств из-за своего нейротоксического действия либо является маркером этих повреждений. *Zou C.G.* с соавт., в своей работе показали, что гомоцистеин способствует пролиферации микроглии, повышает экспрессию маркеров ее активации (CD11b), стимулирует активность НАД(Ф)Н оксидаз, приводя к образованию активных форм кислорода. Исследователи предполагают, что активация НАД(Ф)Н оксидаз гомоцистеином может быть обусловлена его способностью усиливать фосфорилирование p47phox по пути p38 MAPK. [1]. Пролиферация и активация микроглии лежит в основе некоторых нейродегенеративных заболеваний. Активные формы кислорода не только вызывают окислительное повреждение в клетках мозга, но также могут функционировать как молекулы клеточной сигнализации. *Blaise S. A.* с соавт. показали, что у беременных крыс гомоцистеин накапливается в мозжечке, гиппокампе, стриатуме [2]. Остается актуальным изучение метаболизма серосодержащих аминокислот при гипергомоцистеинемии.

Цель исследования: выявить нарушения фонда низкомолекулярных серосодержащих соединений в мозжечке крыс при экспериментальной гипергомоцистеинемии, вызываемой нагрузкой метионином.

Материал и методы. Исследование проводилось на 18 крысах-самцах. Метионин вводили внутривенно в виде крахмальной суспензии в суточной дозе 3 г/кг в течение 21 суток [2]. В хлорнокислых экстрактах ткани мозжечка определяли концентрации: цистеиновой кислоты (СА), цистеинсульфиновой

кислоты (CSA), глутатиона (GSH), серина (Ser), глицина (Gly), гипотаурина (HpTau), таурина (Tau), метионина (Met), цистатионина (Ctn), гомоцистеиновой кислоты (HCA) методом обращенно-фазной ВЭЖХ с предколоночной дериватизацией *o*-фталевым альдегидом, 3-меркаптопропионовой кислотой и детектированием по флуоресценции. Уровень гомоцистеина в плазме крови определяли по [3]. Исследование выполнено с соблюдением международных принципов Хельсинкской декларации о гуманном обращении с животными и одобрено комитетом по биомедицинской этике УО «Гродненский государственный медицинский университет».

Данные обрабатывали с применением *t*-критерия Стьюдента после контроля нормальности, однофакторного дисперсионного анализа, медианного теста Манна-Уитни. Критический уровень значимости *p* принимали равным 0,05.

Результаты исследования. Установлено, что метиониновая нагрузка вызывает гипергомоцистеинемию. Уровень Hcy в плазме крови крыс составил 36,28 [32,29; 226,60] против 9,48 [8,05; 10,80] мкмоль/л (медиана [нижняя; верхняя квартиль]). Некоторые исследователи связывают подобные изменения с недостаточной функцией цистатионин-β-синтазы. При этом были отчетливо выражены изменения в метаболизме серосодержащих аминокислот (таблица).

Таблица – Концентрации ССА и их дериватов (нмоль/г) в мозжечке крыс при метиониновой нагрузке (среднее ± средняя ошибка среднего)

Концентрация, (нмоль/г)	Контроль (n=9)	Метионин (n=9)
CA	1,14±0,127	1,66±0,222*
CSA	3,35±0,434	1,87±0,210*
HCA	7,06±0,385	8,30±1,045
Ser	624,79±20,710	320,80±25,346*
Gly	638,91±46,467	699,17±93,482
HpTau	24,19±4,060	106,45±20,105*
Tau	3495,01±123,047	3704,23±210,069
Met	29,05±1,329	99,61±30,140*
Ctn	647,77±34,970	5294,93±792,850*

Примечание: * – статистически достоверные изменения (*p*<0,05)

Повышение уровня метионина в мозжечке крыс, возможно, будет вызывать повышение и продукта ее реметилирования – гомоцистеина, из которого в дальнейшем будет синтезироваться цистатионин. Содержание серина в мозжечке снижается, что может означать, что он активно используется в реакциях транссульфурирования. Концентрация цистатионина также увеличивалась при метиониновой нагрузке. Это может стать дополнительным подтверждением того, что цистатионин-β-синтаза активно переводит гомоцистеин в цистатионин, потребляя при этом значительное количество серина. Синтез таурина происходит преимущественно за счет окисления цистеиновой кислоты, так как ее уровень повысился в 1,5 раза, а путь синтеза таурина за счет окисления гипотаурина, вероятно, заторможен. Это предположение подтверждается снижением уровня цистеинсульфиновой кислоты в 1,8 раза и повышением уровня гипотаурина в 4,4 раза. Подобные изменения были выявлены и в коре больших полушарий крыс [4].

Выводы. Гипергомоцистеинемия приводит к дисбалансу серосодержащих соединений в мозжечке крыс, что может включать повышение скорости транссульфурирования и/или синтеза таурина, или быть дефицитом субстратов для этих реакций.

Литература

1. Zou, C. G. Homocysteine promotes proliferation and activation of microglia / C.G. Zou [et al] // *Neurobiology of Aging*. – 2010. – Vol. 31, № 12. – P. 2069-2079.
2. Blaise, S. A. Gestational vitamin B deficiency leads to homocysteine associated brain apoptosis and alters neurobehavioral development in rats / S. A. Blaise [et al] // *Am. J. Pathol.* – 2007. – Vol. 170, № 2. – P. 667–679.
3. Арутюнян, А. В. Использование различных экспериментальных моделей гипергомоцистеинемии в нейрохимических исследованиях / А. В. Арутюнян, Ю. П. Милютина, И. В. Залозная, А. В. Пустыгина, Л. С. Козина, А. В. Корневский // *Нейрохимия*. – 2012. – Т. 29, № 1. – С. 83.
4. Дорошенко, Е. М. Структура пула свободных аминокислот и их производных плазмы крови у пациентов с ишемической болезнью сердца и проявлениями хронической сердечной недостаточности / Е. М. Дорошенко, В. А. Снежицкий, В. В. Лелевич // *Журнал Гродненского государственного медицинского университета*. – 2017. – Т. 15, №5. – С. 552.
5. Новгородская, Я. И. Пул серосодержащих соединений в коре больших полушарий крыс при гипергомоцистеинемии / Я. И. Новгородская // *Актуальные проблемы биохимии: сборник материалов научно-практической конференции с международным участием, посвященной 60-летию создания*

кафедры биологической химии ГрГМУ (31 мая 2019 г.) [Электронный ресурс] / отв. ред. В. В. Лелевич. – Электрон. текст. дан. (объем 4.2Мб). – Гродно: ГрГМУ, 2019. – 1эл. опт. Диск (CD-ROM) – Систем. Требования PC класса не ниже Pentium IV; Windows XP и выше; необходимая программа для работы Adobe Reader; ОЗУ 512Мб; CD-ROM 16-х и выше. – Загл. с этикетки диска. – С. 229-232.

Summary

POOL OF LOW-MOLECULAR WEIGHT SULFUR-CONTAINING COMPOUNDS IN THE CEREBELLUM OF RATS FOLLOWING METHIONINE LOAD

Novogrodskaya Ya. I.

*Grodno State Medical University, Grodno
yananovogrodskaya@mail.ru*

We studied the influence of methionine-induced hyperhomocysteinemia on the pool of low molecular weight sulfur-containing compounds in the cerebellum of rats. We found the methionine load to induce pronounced hyperhomocysteinemia accompanied with very active transsulfuration and changes in the synthesis of taurine due to deficient substrates.

НИЗКОМОЛЕКУЛЯРНЫЕ СЕРОСОДЕРЖАЩИЕ СОЕДИНЕНИЯ В НЕКОТОРЫХ ОТДЕЛАХ ГОЛОВНОГО МОЗГА КРЫС ПОСЛЕ МЕТИОНИНОВОЙ НАГРУЗКИ

Новгородская Я. И.

*Гродненский государственный медицинский университет,
г. Гродно, Беларусь
yananovogrodskaya@mail.ru*

Метионин является основным источником S-аденозилметионина (SAM) и гомоцистеина (Hcy). SAM – донор метильных групп в мозге, обладает свойствами антиоксиданта, стимулирует синтез глутатиона и снижает перекисное окисление липидов. Имеются сообщения о его эффективности в качестве антидепрессанта. Уровень SAM в мозге можно изменить, увеличив поступление метионина [1]. При исследовании регионального распределения SAM в мозге крыс отмечены небольшие различия

между регионами. Наибольший его уровень зарегистрирован в стриатуме, наименьший – в среднем мозге.

Гипергомоцистеинемия является фактором риска неврологических и психических расстройств, который может быть вызван дефицитом фолатов и витамина В₁₂. Blaise S. A. на основании иммуногистохимического исследования активности SAH-гидролазы предположил, что гипергомоцистеинемия, вызванная дефицитом витаминов группы В в период беременности, может приводить к неравномерному накоплению гомоцистеина в тканях мозга развивающегося плода: в большей степени в зернистом слое мозжечка, пирамидном слое СА1 гиппокампа, стриатуме и субвентрикулярной зоне, выстилающей боковой желудочек мозга крыс, т. е. в областях, ответственных за двигательные функции, обучение и память. Наличие его в нейрональных клетках и астроцитах приводит к апоптотической гибели клеток [2].

Существующие методы одновременного обнаружения цистеина, гомоцистеина и глутатиона в тканях все еще остаются сложными. В последние десятилетия исследователи пытались определить аминотиолы разными способами. Были сделаны попытки их определения с помощью газовой хроматографии. Установлено, что уровни общего гомоцистеина в образцах наиболее распространенных типов опухолей головного мозга человека различны: в глиобластоме – $1,51 \pm 0,42$, аденоме гипофиза – $1,48 \pm 0,40$, в глиоме – $0,58 \pm 0,12$ и менингиомах – $0,62 \pm 0,19$ нмоль/мг ткани [3]. Однако полные данные о содержании серосодержащих аминокислот в тканях головного мозга здоровых людей и животных отсутствуют, поэтому изучение механизмов повреждающего действия экспериментальной гипергомоцистеинемии остается актуальным.

Цель исследования: охарактеризовать региональные нарушения фонда низкомолекулярных серосодержащих соединений в головном мозге крыс при экспериментальной гипергомоцистеинемии, вызываемой нагрузкой метионином.

Материал и методы. Исследование проводилось на 18 крысах-самцах. Метионин вводили внутривентрикулярно в виде крахмальной суспензии в суточной дозе 3 г/кг в течение 21 суток по методу Арутюняна А. В. В хлорнокислых экстрактах плазмы, гипоталамуса, среднего мозга и стриатума определяли

концентрации: цистеиновой кислоты (CA), цистеинсульфиновой кислоты (CSA), глутатиона (GSH), серина (Ser), глицина (Gly), гипотаурина (HrTau), таурина (Tau), метионина (Met), цистатионина (Ctn), гомоцистеиновой кислоты (HCA) методом обращенно-фазной ВЭЖХ с предколоночной дериватизацией *o*-фталевым альдегидом и 3-меркаптопропионовой кислотой и детектированием по флуоресценции. Уровень гомоцистеина в плазме крови определяли по [3].

Данные обрабатывали с применением *t*-критерия Стьюдента после контроля нормальности, однофакторного дисперсионного анализа, медианного теста Манна-Уитни.

Результаты исследования. Уровень Hcy в плазме крови крыс составил 36,28 [32,29; 226,60] против 9,48 [8,05; 10,80] мкмоль/л (медиана [нижняя; верхняя квартиль]). При 21-суточном введении метионина в суммарной суточной дозе 3 мг/кг в функционально разных регионах мозга крыс был выявлен дисбаланс серосодержащих аминокислот и их производных (таблица).

Таблица – Концентрации CCA и их дериватов (нмоль/г) в среднем мозге, стриатуме и гипоталамусе крыс после метиониновой нагрузки (среднее \pm средняя ошибка среднего)

Отдел мозга	Средний мозг		Стриатум		Гипоталамус	
	Контроль (n=9)	Метионин (n=9)	Контроль (n=9)	Метионин (n=9)	Контроль (n=9)	Метионин (n=9)
CA	1,21 \pm 0,138	1,60 \pm 0,210	1,66 \pm 0,331	1,08 \pm 0,126	7,92 \pm 0,653	7,46 \pm 0,354
CSA	2,79 \pm 0,638	3,63 \pm 0,268	1,25 \pm 0,166	1,81 \pm 0,22	2,43 \pm 0,158	2,15 \pm 0,24
HCA	6,87 \pm 1,026	6,4 \pm 1,197	6,93 \pm 0,828	7,39 \pm 0,892	26,27 \pm 2,314	27,16 \pm 0,759
Ser	443,4 \pm 32,8	295,7 \pm 13,564*	712,6 \pm 52,72	537,7 \pm 48,96	340,4 \pm 13,72	251,6 \pm 17,01*
Gly	2451,1 \pm 190,3	2077,6 \pm 69,98	746,45 \pm 72,85	737,5 \pm 51,768	2548,9 \pm 241,4	2437,0 \pm 217,4
HrTau	45,51 \pm 17,79	381,34 \pm 74,26*	52,90 \pm 4,40	1189,4 \pm 189,3*	21,37 \pm 1,67	200,4 \pm 35,78*
Tau	2107,7 \pm 176,4	2501,78 \pm 176,4	6149,8 \pm 374,1	8495,4 \pm 520,1	1319,5 \pm 74,5	1703,5 \pm 73,61*
Met	41,93 \pm 2,71	134,99 \pm 41,21*	37,29 \pm 2,631	155,78 \pm 44,29*	29,98 \pm 1,22	94,41 \pm 20,94*
Ctn	91,71 \pm 8,191	489,5 \pm 144,71*	53,10 \pm 3,09	470,5 \pm 136,33*	104,3 \pm 17,08	945,3 \pm 286,95*

Примечание: * – статистически достоверные изменения, $p < 0,05$

Во всех исследованных регионах мозга уровень метионина возрастал. Наиболее значимое повышение его уровня наблюдалось

в стриатуме – в 4,2 раза по сравнению с контролем. Характерно, что уровень цистатионина возрастал во всех исследуемых регионах мозга в разной степени: гипоталамус > средний мозг > стриатум. Уровень гипотаурина также возрастал: стриатум > гипоталамус > средний мозг, а уровень таурина имел тенденцию к повышению во всех отделах мозга, но статистически достоверное изменение его уровня наблюдалось лишь в гипоталамусе (в 1,3 раза). В среднем мозге и гипоталамусе наблюдалось снижение уровня серина примерно в 1,5 раза. Продемонстрированы сходные сдвиги в аминокислотном пуле коры больших полушарий и мозжечка [3].

Заключение:

1. Метиониновая нагрузка приводит к однонаправленному дисбалансу серосодержащих соединений во всех отделах мозга крыс.

2. Наиболее выраженные сдвиги наблюдались в гипоталамусе, менее выраженные – в стриатуме.

3. Экспериментальная гипергомоцистеинемия вызывает повышение скорости транссульфурирования и синтеза таурина, причем последнее ограничено доступностью субстратов для заключительных реакций.

Литература

1. Young, S. N. The effect of methionine and S-adenosylmethionine on S-adenosylmethionine levels in the rat brain / S. N. Young, M. Shalchi // J. Psychiatry Neurosci. – 2005. – Vol. 30, №1. – P. 44-48.

2. Blaise, S. A. Gestational vitamin B deficiency leads to homocysteine-associated brain apoptosis and alters neurobehavioral development in rats / S. A. Blaise [et al] // Am. J. Pathol. – 2007. – Vol. 170, №2. – P. 667-679.

3. Bicičková, M. Aminothiols in human brain tumors / M. Bicičková [et al] // Clin. Chem. Lab. Med. – 2006. – Vol. 44, №8. – P. 978-982.

4. Дорошенко, Е. М. Структура пула свободных аминокислот и их производных плазмы крови у пациентов с ишемической болезнью сердца и проявлениями хронической сердечной недостаточности / Е. М. Дорошенко, В. А. Снежицкий, В. В. Лелевич // Журнал Гродненского государственного медицинского университета. – 2017. – Т. 15, № 5. – С. 552.

5. Новгородская, Я. И. Пул серосодержащих соединений в коре больших полушарий крыс при гипергомоцистеинемии / Я. И. Новгородская // Актуальные проблемы биохимии: сборник материалов научно-практической конференции с международным участием, посвященной 60-летию создания кафедры биологической химии ГрГМУ (31 мая 2019 г.) [Электронный

ресурс] / отв. ред. В. В. Лелевич. – Электрон. текст. дан. Объем 4.2 Мб). – Гродно: ГрГМУ, 2019. – 1эл. опт. диск (CD-ROM) – С. 229-232.

Summary

LOW-MOLECULAR WEIGHT SULFUR-CONTAINING COMPOUNDS IN SOME BRAIN REGIONS OF RATS FOLLOWING METHIONINE LOAD

Novogrodskaya Ya. I.

*Grodno State Medical University, Grodno
yananovogrodskaya@mail.ru*

We studied the influence of methionine-induced hyperhomocysteinemia in rats on the pool of low molecular weight sulfur-containing compounds in brain regions. Methionine load led to a unidirectional imbalance of sulfur-containing compounds in all regions of the brain studied. The most pronounced changes were observed in the hypothalamus and less expressed – in the striatum. We found the methionine load to induce very active transsulfuration and changes in the taurine synthesis limited by availability of substrates.

THE ANTIBACTERIAL ACTIVITIES OF ETHANOLIC EXTRACT OBTAINED FROM *RHODODENDRON MYRTIFOLIUM* SCHOTT & KOTSCHY LEAVES AGAINST CLINICALLY ISOLATED BACTERIAL STRAINS

*Vitaliy Honcharenko¹, Halyna Tkachenko², Viktor Nachychko^{1,3},
Andriy Prokopiv^{1,3}, Zbigniew Osadowski²*

¹*Department of Botany, Faculty of Biology, Ivan Franko National University in Lviv, Lviv, Ukraine; e-mail: vherbarium@ukr.net*

²*Department of Biology, Institute of Biology and Earth Sciences, Pomeranian University in Słupsk, Poland; e-mail: tkachenko@apsl.edu.pl*

³*Botanic Garden of Ivan Franko National University in Lviv, Lviv, Ukraine*

Introduction. Antimicrobial resistance has become a pre-eminent concern in medicine and public health. This problem is widespread, and the causative factors are uncontrolled (Mah and Memish, 2000). Several multi-drug resistant bacteria that are most commonly found, especially through nosocomial infections, are *Enterococcus faecium*, *Staphylococcus aureus*, *Klebsiella pneumoniae*, *Acinetobacter*

baumannii, *Pseudomonas aeruginosa*, and *Enterobacter* spp. (Rice, 2008). In the past few decades, these strains become increasingly important pathogens in hospitals and play an important role in the colonization and infection of hospitalized patients by a variety of nosocomial infections including bacteremia, urinary tract infections, and nosocomial pneumonia (Radji et al., 2013).

Treatment of these infections is often very difficult due to the cross-resistance of these bacteria with a large group of antibiotics. Therefore, it seems reasonable to explore alternative antimicrobial agents for control multi-drug resistant bacteria. Recently, there has been growing interests to find antimicrobial compounds from medicinal plant extracts as an alternative approach to discover new antimicrobial compounds (Radji et al., 2013).

Rhododendron species have been traditionally used in China, Nepal, Russia, and North America against inflammation, pain, skin ailments, common cold, and gastrointestinal disorders and for treating human diseases like asthma and skin diseases. These species are known to be a good source of polyphenolic plant secondary plant metabolites (Popescu and Kopp, 2013).

The aim of this study was to assess possible antibacterial effects of an ethanolic extract derived from *Rhododendron myrtifolium* leaves against *Citrobacter freundii*, *Enterobacter cloacae*, *Klebsiella pneumoniae*, and *Escherichia coli* strain locally isolated from human biological fluids. Thus, the study contributes to on-going investigations on the bioactivity potential of plant species such as the *Rhododendron*. Hence, the effects of *Rhododendron myrtifolium* leaf extract against bacterial strains were monitored *in vitro* by the disk diffusion method.

Materials and methods. Collection of Plant Materials. Leaves of *Rhododendron myrtifolium* were harvested on the side of the road between the Menchul valley and Rogneska valley (Kvasy village, Rakhiv district, Zakarpattia region, Ukraine; N 48°09'28.4", E 24°20'05.6", 1485 m a.s.l.). Freshly leaves were washed, weighed, crushed, and homogenized in 96% ethanol (in proportion 1:19) at room temperature. The extract was then filtered and investigated for antimicrobial activity.

Antimicrobial susceptibility testing. Non-repetitive clinical strains isolated from biological materials of infected patients were obtained from the Department of Bacteriology, Regional Hospital in Koszalin

(West-Pomeranian Voivodeship, Poland). The purity, as well as the identity of isolate, was confirmed in the laboratory conditions by standard microbiological methods and were interpreted according to the Guidelines of the Clinical Laboratory Standards Institute (2014).

The antibacterial susceptibility profile of the isolates revealed that many isolated strains were classified as multi-drug resistant (MDR) bacteria.

For the current study, four bacterial strains were used for the study of susceptibility or resistance of bacteria to the phytochemicals:

Isolate 1 - *Citrobacter freundii* strain was susceptible to all antibiotics used;

Isolate 2 - *Enterobacter cloacae* strain was resistant to the amoxicillin, cefuroxime, trimethoprim-sulphamethoxazole, and cefotaxime;

Isolate 3 - *Klebsiella pneumoniae* was resistant to piperacillin-tazobactam (100/10 µg), gentamicin (10 µg), tobramycin (10 µg), and ciprofloxacin (5 µg);

Isolate 4 - *Escherichia coli*, not β-lactamase (ESBL)-producing strain, was a sensitive strain to antibiotics tested.

Bacterial Growth Inhibition Test by the Disk Diffusion Method. The antimicrobial susceptibility testing was done on Muller-Hinton agar by the disc diffusion method (Kirby-Bauer disk diffusion susceptibility test protocol) (Bauer et al., 1966).

Statistical analysis. Statistical analysis of the data obtained was performed by employing the mean ± standard error of the mean (S.E.M.). All statistical analyses were performed using STATISTICA 8.0 software (StatSoft, Poland).

Results and discussion. The results revealed that extract exerts antibacterial activity against *Citrobacter freundii*. However, the *Enterobacter cloacae*, *Klebsiella pneumoniae*, and *Escherichia coli* were resistant to *Rh. myrtifolium* leaf extract. Maximum in vitro inhibition was scored against *Citrobacter freundii*, followed by *Escherichia coli*, *Klebsiella pneumoniae*, and *Enterobacter cloacae*, which presented inhibition zones of (12.1 ± 0.9) mm, (9.1 ± 0.5) mm, (7.5 ± 0.6) mm, and (7.2 ± 0.5) mm, respectively. In the case of the positive controls, 96% ethanol possesses a mild antibacterial effect, which presented inhibition zones of (6.5 ± 0.7) mm.

Conclusions. It can be concluded that extract derived from *Rhododendron myrtifolium* leaves can be as complementary medicine in treating diseases caused by multidrug-resistant strains of *Citrobacter freundii*. However, further investigation is needed to determine the bioavailability of the active compounds and to determine the dose and toxicity before it can be used as therapeutic agents.

Acknowledgments. This study was carried out during the Scholarship Program supported by The Polish National Agency for Academic Exchange in the Department of Botany, Faculty of Biology, Ivan Franko National University in Lviv (Lviv, Ukraine). We thank The Polish National Agency for Academic Exchange for supporting our study.

References

1. Bauer, A.W. Antibiotic susceptibility testing by a standardized single disk method / A.W. Bauer, W.M. Kirby, J.C. Sherris, M. Turck // Am. J. Clin. Pathol. – 1966. – 45(4). – P. 493-496.
2. CLSI. *Performance Standards for Antimicrobial Susceptibility Testing*. Clinical and Laboratory Standards Institute; Wayne, PA, USA: 2014. CLSI M100–S24.
3. Mah, M.W. Antibiotic resistance. An impending crisis / M.W. Mah, Z.A. Memish // Saudi Med. J. – 2000. – 21(12). – P. 1125-1129.
4. Popescu, R.. The genus *Rhododendron*: an ethnopharmacological and toxicological review / R. Popescu, B. Kopp // J. Ethnopharmacol. – 2013. – 147(1). – P. 42-62.
5. Radji, M. Antimicrobial activity of green tea extract against isolates of methicillin-resistant *Staphylococcus aureus* and multi-drug resistant *Pseudomonas aeruginosa* / M. Radji, R.A. Agustama, B. Elya, C.R. Tjampakasari // Asian Pac. J. Trop. Biomed. – 2013. – 3(8). – P. 663-667.
6. Rice, L.B. Federal funding for the study of antimicrobial resistance in nosocomial pathogens: no ESKAPE / L.B. Rice // J. Infect. Dis. – 2008. – 197(8). – P. 1079-1081.

Summary

THE ANTIBACTERIAL ACTIVITIES OF ETHANOLIC EXTRACT OBTAINED FROM *RHODODENDRON MYRTIFOLIUM* SCHOTT & KOTSCHY LEAVES AGAINST CLINICALLY ISOLATED BACTERIAL STRAINS

Vitaliy Honcharenko¹, Halyna Tkachenko², Viktor Nachychko^{1,3},
Andriy Prokopiv^{1,3}, Zbigniew Osadowski²

¹Department of Botany, Faculty of Biology, Ivan Franko National University
in Lviv, Lviv, Ukraine; e-mail: vherbarium@ukr.net

²*Department of Biology, Institute of Biology and Earth Sciences, Pomeranian University in Słupsk, Poland; e-mail: tkachenko@apsl.edu.pl*

³*Botanic Garden of Ivan Franko National University in Lviv, Lviv, Ukraine*

The aim of this study was to assess possible antibacterial effects of an ethanolic extract derived from *Rhododendron myrtifolium* leaves against *Citrobacter freundii*, *Enterobacter cloacae*, *Klebsiella pneumoniae*, and *Escherichia coli* strain locally isolated from human biological fluids. Thus, the study contributes to on-going investigations on the bioactivity potential of plant species such as the *Rhododendron*. The results revealed that extract exerts antibacterial activity against *C. freundii*. However, the *Enterobacter cloacae*, *Klebsiella pneumoniae*, and *Escherichia coli* were resistant to *Rh. myrtifolium* leaf extract. Maximum *in vitro* inhibition was scored against *C. freundii*, followed by *E. coli*, *K. pneumoniae*, and *E. cloacae*. Further investigation is needed to determine the bioavailability of the active compounds and to determine the dose and toxicity before it can be used as therapeutic agents.

THE ANTIBACTERIAL ACTIVITY OF ETHANOLIC EXTRACTS OBTAINED FROM LEAVES OF SOME *THYMUS* (LAMIACEAE) REPRESENTATIVES AGAINST *ACINETOBACTER BAUMANNII*

Vitaliy Honcharenko¹, Halyna Tkachenko², Viktor Nachychko^{1,3}, Andriy Prokopiv^{1,3}, Zbigniew Osadowski²

¹*Department of Botany, Faculty of Biology, Ivan Franko National University in Lviv, Lviv, Ukraine; e-mail: vherbarium@ukr.net*

²*Department of Biology, Institute of Biology and Earth Sciences, Pomeranian University in Słupsk, Poland; e-mail: tkachenko@apsl.edu.pl*

³*Botanic Garden of Ivan Franko National University in Lviv, Lviv, Ukraine*

Introduction. *Acinetobacter baumannii* is an opportunistic pathogen and one of the six most important multidrug-resistant microorganisms in hospitals worldwide responsible for hospital-acquired nosocomial infections (Antunes et al., 2014; Lee et al., 2017). This human pathogen is responsible for a vast array of infections, i.e. ventilator-associated as well as bloodstream infections in critically ill patients, and mortality rates can reach 35% (Antunes et al., 2014). The

spread of multidrug-resistant *Acinetobacter* strains is cause for concern. Due to the prevalence of infections and outbreaks caused by multi-drug resistant *A. baumannii*, few antibiotics are effective for treating infections caused by this pathogen (Lee et al., 2017).

Because of the limited number of available antibiotics, we used medicinal plants with an antibacterial effect. Our previous studies lay the basis for future research, to validate the possible use of *Thymus* species as a candidate in the treatment of bacterial infections and a potential target for the activity-guided isolation of active constituents in order to explore the mechanism of action and relevant uses in the medicine and veterinary (Honcharenko et al., 2018). Recent studies have shown that *Thymus* species have strong antimicrobial and antioxidant activities (Jia et al., 2010). These data have prompted us to verify the antibacterial effects of four species and one interspecific hybrid of *Thymus* genus sampled in the western part of Ukraine against *Acinetobacter baumannii*.

Aim of the study. Therefore, the aim of this study was to evaluate the antimicrobial effects of five ethanolic extracts obtained from leaves of some *Thymus* representatives (*Thymus serpyllum* L. emend. Mill., *Th. pannonicus* All., *Th. × porcii* Borbás, *Th. pulegioides* L., *Th. alpestris* Tausch ex A. Kern.) against *Acinetobacter baumannii* strain.

Materials and methods. Collection of Plant Materials. Leaves of *Thymus serpyllum* L. emend. Mill. were collected among the grass on sandy soil in the edge of a pine forest (Baymaky village, Bilohirya district, Khmelnytsky region, Ukraine; N 50°03'58,9'', E 26°13'37,5'', 257 m a.s.l.). Leaves of *Th. pannonicus* All. were harvested among grass in the roadside between the two cultivated fields (Syvky village, Bilohirya district, Khmelnytsky region, Ukraine; N 50°02'09,6'', E 26°13'19,2'', 283 m a.s.l.). Leaves of *Th. pulegioides* L. were collected among grass nearby land parcels (Syvky village, Bilohirya district, Khmelnytsky region, Ukraine; N 50°02'02,8'', E 26°14'13,9'', 306 m a.s.l.). Leaves of *Th. × porcii* Borbás (a hybrid between *Th. pannonicus* and *Th. pulegioides*) were sampled in the grass stand, on the side of the footpath of the race track (Medovoi Pechery Str., Lviv, Ukraine; N 49°49'15.1", E 24°05'12.5", 348 m a.s.l.). Leaves of *Th. alpestris* Tausch ex A. Kern. were harvested on the side of the road below the stream, in mountain valley Shumneska (Kvasy village, Rakhiv district, Zakarpattia region, Ukraine; N 48°09'32.3", E 24°21'26.4", 1259 m a.s.l.). Plant

samples were thoroughly washed to remove all the attached material and used to prepare ethanolic extracts. Freshly leaves were washed, weighed, crushed, and homogenized in 96% ethanol (in proportion 1:19) at room temperature. The extracts were then filtered and investigated for their antimicrobial activity.

Bacterial strain and Agar diffusion susceptibility testing. For the study, specimen 3680 (UK NEQAS, The United Kingdom National External Quality Assessment Service) was used. It contained an *Acinetobacter baumannii* complex isolate, resistant to gentamicin and ciprofloxacin. The organism was borderline susceptible to imipenem and meropenem and only 14.3% of participants reported intermediate or resistant. Antimicrobial activity was determined using the Kirby-Bauer agar disk diffusion technique. The *Acinetobacter baumannii* strain was obtained from the Department of Bacteriology, Regional Hospital in Koszalin (West-Pomeranian Voivodeship, Poland).

Results and discussion. Antimicrobial activity of various ethanolic extracts obtained from leaves of *Thymus* species against *Acinetobacter baumannii* measured as inhibition zone diameter is shown in Fig. 1. The present study has shown that ethanolic extracts obtained from leaves of *Thymus* species inhibited mild activity against *A. baumannii*. The mean diameter of inhibition zone for *Th. serpyllum* was (10.45 ± 0.81) mm, for *Th. pannonicus* – (10.82 ± 0.63) mm, for *Thymus x porcii* – (9.57 ± 0.75) mm, for *Th. pulegioides* – (10.54 ± 0.52) mm, and for *Th. alpestris* – (10.62 ± 0.54) mm.

Ethanolic extracts of the plant materials decrease the growth of the strain studied. The effects varied significantly according to the *Thymus* species. It was observed in the present study that ethanolic extracts inhibited the growth of bacteria tested moderately. The highest antimicrobial effect was recorded for *Th. alpestris*, *Th. pannonicus*, and *Th. pulegioides* (Fig. 1). It should be noted that the most antimicrobially effective plant against *Acinetobacter baumannii* was *Th. pannonicus* (mean diameter of inhibition zone was 10.82 ± 0.63 mm).

Conclusions. The ethanolic extracts obtained from leaves of *Thymus* species showed different antibacterial activities against *Acinetobacter baumannii* complex isolate, resistant to gentamicin and ciprofloxacin (specimen 3680, UK NEQAS). It should be noted that the most antimicrobially effective plant against *Acinetobacter baumannii* was *Thymus pannonicus*. The present study lays the basis for future

research, to validate the possible use of *Thymus* species as a candidate in the treatment of bacterial infections.

Acknowledgments. This study was carried out during the Scholarship Program supported by The Polish National Agency for Academic Exchange in the Department of Botany, Faculty of Biology, Ivan Franko National University in Lviv (Lviv, Ukraine). We thank The Polish National Agency for Academic Exchange for supporting our study.

References

1. Antunes, L.C. *Acinetobacter baumannii*: evolution of a global pathogen / L.C. Antunes, P. Visca, K.J. Towner // Pathog. Dis. – 2014. – 71(3). – P. 292-301.
2. Honcharenko, V. The antibacterial activities of some *Thymus* (Lamiaceae) representatives against *Salmonella enteritidis* strain locally isolated / V. Honcharenko, H. Tkachenko, V. Nachychko, A. Prokopiv, Z. Osadowski // Agrobiodiversity for Improving Nutrition, Health, and Life Quality. – 2018. – (2). – P. 212-222.
3. Honcharenko, V. The antibacterial activities of ethanolic extracts obtained from leaves of some *Thymus* (Lamiaceae) representatives against β -lactamase producing *Pseudomonas aeruginosa* strain / V. Honcharenko, H. Tkachenko, Z. Osadowski, V. Nachychko, A. Prokopiv // Śląskie Prace Biologiczne. – 2018. – 15. – P. 59-78.
4. Jia, H.L. Chemical composition and antioxidant, antimicrobial activities of the essential oils of *Thymus marschallianus* Will. and *Thymus proximus* Serg. / H.L. Jia, Q.L. Ji, S.L. Xing, P.H. Zhang, G.L. Zhu, X.H. Wang // J. Food Sci. – 2010. – 75(1) – P. E59-65.
5. Lee, C.R. Biology of *Acinetobacter baumannii*: Pathogenesis, Antibiotic Resistance Mechanisms, and Prospective Treatment Options / C.R. Lee, J.H. Lee, M. Park, K.S. Park, I.K. Bae, Y.B. Kim, C.J. Cha, B.C. Jeong, S.H. Lee // Front Cell Infect. Microbiol. – 2017. – 7. – P. 55.

Summary

THE ANTIBACTERIAL ACTIVITY OF ETHANOLIC EXTRACTS OBTAINED FROM LEAVES OF SOME *THYMUS* (LAMIACEAE) REPRESENTATIVES AGAINST *ACINETOBACTER BAUMANNII*

*Vitaliy Honcharenko*¹, *Halyna Tkachenko*², *Viktor Nachychko*^{1,3},
Andriy Prokopiv^{1,3}, *Zbigniew Osadowski*²

¹Department of Botany, Faculty of Biology, Ivan Franko National University in Lviv, Lviv, Ukraine; e-mail: vherbarium@ukr.net

²*Department of Biology, Institute of Biology and Earth Sciences, Pomeranian University in Słupsk, Poland; e-mail: tkachenko@apsl.edu.pl*

³*Botanic Garden of Ivan Franko National University in Lviv, Lviv, Ukraine*

The purpose of this study was to evaluate the antimicrobial effects of five ethanolic extracts obtained from leaves of some *Thymus* representatives (*Thymus serpyllum* L. emend. Mill., *Th. pannonicus* All., *Th. × porcii* Borbás, *Th. pulegioides* L., *Th. alpestris* Tausch ex A. Kern.) against *Acinetobacter baumannii* complex isolate, resistant to gentamicin and ciprofloxacin (specimen 3680, UK NEQAS). The present study has shown that ethanolic extracts obtained from leaves of *Thymus* species inhibited mild activity against *A. baumannii*. It should be noted that the most antimicrobially effective plant against *Acinetobacter baumannii* was *Thymus pannonicus*. The present study lays the basis for future research, to validate the possible use of *Thymus* species as a candidate in the treatment of bacterial infections.

АПЛИКАЦИОННАЯ РАНЕВАЯ СОРБЦИЯ В КОМПЛЕКСНОМ ЛЕЧЕНИИ ХИРУРГИЧЕСКОЙ ИНФЕКЦИИ И АБСЦЕССОВ МЯГКИХ ТКАНЕЙ

Ославский А. И., Качук Д. Н., Жук Е. С., Коноплицкая Е. В.

*Гродненский государственный медицинский университет, Гродно,
Беларусь*

Kachuk.nauka@gmail.com

Введение. Лечение гнойных ран и абсцессов мягких тканей (ХИМТ) по-прежнему остается одной из актуальных проблем и требует дальнейшего совершенствования методов местного лечения. Среди большого числа существующих методов и средств лечения ХИМТ использование аппликационной раневой сорбции начинает занимать одно из приоритетных направлений. Раневые сорбенты не только обеспечивают хороший отток раневого экссудата, эвакуацию в повязку микробных тел, но и создают оптимальные условия для заживления ран [1].

Цель исследования – оценить эффективность разработанных нами сорбционно-дренажных устройств на основе отечественного углеволокнистого сорбента «Карбопон-В-Актив» (УВС «Карбопон-В-Актив») в комплексном лечении гнойных ран и абсцессов мягких тканей.

Материал и методы. Оценка эффективности применения сорбционно-дренажных устройств в комплексном лечении гнойных ран и абсцессов мягких тканей проводилась методом сравнения субъективных и объективных параметров, характеризующих раневое заживление у 227 пациентов, находившихся на лечении в хирургическом и ожоговом отделениях УЗ «Городская клиническая больница скорой медицинской помощи г. Гродно» (УЗ «ГКБСМП»). Исследование проведено у пациентов с одобрения Комитета по этике УЗ «ГКБСМП».

В зависимости от способа дренирования гнойного очага все пациенты были разделены на две группы. Контрольная группа (103 пациента) была разделена на 2 подгруппы в зависимости от объема гнойной полости и метода дренирования раны. Подгруппа «Контроль-1» – 62 пациента. В нее вошли пациенты с абсцессами мягких тканей и объемом гнойной полости от 5 до 30 см³. В качестве дренажной системы в данной группе использовали влажно-высыхающие марлевые тампоны с раствором антисептика. Подгруппа «Контроль-2» – 41 пациент. В нее вошли пациенты с абсцессами мягких тканей и объемом гнойной полости, который превышал 30 см³. В качестве дренажа использовали ПВХ-трубки с влажно-высыхающими марлевыми тампонами с раствором антисептика.

Основную группу составили 124 пациента. Эта группа была также разделена на 2 подгруппы – в зависимости от объема гнойной полости и применяемого метода ее дренирования. Подгруппа «Основная-1» – 78 пациентов. У этих пациентов для дренирования полости абсцесса применены сорбционно-дренажные устройства разного диаметра (СДУ) (патент Республики Беларусь № 7187) [2]. У 46 пациентов 2-й опытной подгруппы (далее – «Основная-2») с объемом гнойной полости свыше 30 см³ либо при прогнозируемом количестве гнойного отделяемого более 20 мл в сутки применяли сорбционно-активную дренажную систему (САДС) (патент Республики Беларусь № 9616) для гнойных ран и полостей [3]. Состав пациентов в подгруппах групп был сопоставим по полу, возрасту, форме и тяжести заболевания.

При поступлении все пациенты обследовались клинически и лабораторно, рассчитывался лейкоцитарный индекс интоксикации (ЛИИ) и индекс сдвига лейкоцитов (ИСЛ), по показаниям

выполнялось ультразвуковое исследование абсцессов, заполнялась карта-опросник. После вскрытия гнойника и создания единой полости удаляли все некротические ткани, производили бактериальный посев из раны. Забор материала для микробиологического исследования производили во время операции, а также на третьи сутки от начала лечения. Пациенты обеих групп получали комплексную терапию: антибиотики с учетом результатов микробиологического исследования, обезболивающие, детоксикационную терапию, лечение сопутствующих заболеваний, физиолечение.

Результаты исследования. Результаты в группах сравнения изучались на протяжении всего стационарного срока лечения с точками оценки на день поступления, а также на 3, 7 и 10-е сутки лечения.

В группах «Основная-1» и «Основная-2» на третьи сутки исследования минимальное гнойное отделяемое наблюдалось, соответственно, у 98,4 и 60% пациентов, а в группах «Контроль-1» и «Контроль-2» – только у 13,2 и 2,5% пациентов. На седьмые сутки исследования гнойного отделяемого из ран у пациентов групп «Основная-1» и «Основная-2» не наблюдалось. В контрольных группах у пациентов сохранялось гнойное отделяемое из ран. Следует заметить, что снижение уровня лейкоцитов наблюдалось как в группе, где применялось СДУ, так и в группе, где получали традиционное лечение. Однако сроки достижения уровня среднефизиологического лейкоцитоза были статистически значимо ниже в группе «Основная-1», чем в группе «Контроль-1». На протяжении всего времени лечения наблюдалось снижение ЛИИ. Уже на третьи сутки исследования данный показатель имел достоверное отличие от показателя группы «Контроль-1», что свидетельствует о более раннем купировании воспалительного синдрома у пациентов, дренирование ран у которых проводилось СДУ. Что же касается ИСЛ, то необходимо отметить, что динамика данного показателя в целом повторяет динамику изменения количества лейкоцитов и ЛИИ в сравниваемых группах.

В группе «Основная-1» при дренировании ран СДУ показало, что гидрофобное покрытие из политетрафторэтилена не обладает адгезивными свойствами и не препятствует поступлению раневого отделяемого в повязку. В то же время марлевые дренажи,

склеиваясь с краями раны, препятствовали оттоку раневого содержимого в повязку. Кроме того, гидрофобное покрытие СДУ препятствовало поступлению жидкости из тканей раневого канала в сорбент. Активная сорбция содержимого гнойной полости проявлялась также более быстрыми сроками нормализации показателей уровня лейкоцитоза, ЛИИ, ИСЛ. В конечном счете это приводило и к сокращению сроков лечения пациентов.

Использование САДС у пациентов с объемом гнойной полости более 30 см³, а также с гнойными ранами, сопровождающимися выраженным экссудативным компонентом, показало преимущество данного вида дренирования ран по сравнению с методиками, при которых раны дренируются только дренажными трубками. Это преимущество САДС подтверждается существенным уменьшением гнойного отделяемого из ран на 3 и 7-е сутки исследования, а также данными лабораторного исследования общего анализа крови ЛИИ, ИСЛ и сроками лечения рассматриваемой категории пациентов.

Выводы. СДУ и САДС из отечественного УВС «Карбопон-В-Актив» обладают преимуществами перед широко распространенными традиционными методами дренирования гнойных ран и абсцессов мягких тканей. Их применение способствует быстрому очищению ран от гнойного содержимого, уменьшает интоксикационный синдром и сокращает продолжительность лечения.

Литература

1. Хирургические инфекции кожи и мягких тканей : Рос. нац. рекомендации / под ред. В. С. Савельева. – Москва, 2009. – 90 с.
2. Сорбционно-дренажное устройство для гнойных ран и полостей : пат. № 7187 Респ. Беларусь : МПК А61М27/00 / С. М. Смотрич [и др.] ; заявитель и патентообладатель Гродн. гос. мед. ун-т. – опубл. 30.04.2011.
3. Сорбционно-активная дренажная система для гнойных ран и полостей : пат. № 9616 Респ. Беларусь : МПК А61М27/00 / А. И. Ославский [и др.] ; заявитель и патентообладатель Гродн. гос. мед. ун-т. – опубл. 30.10.2013.

Summary

**APPLICATION WOUND SORPTION IN COMPLEX
TREATMENT OF SURGICAL INFECTION AND SOFT TISSUE
ABSCESSSES**

*Oslawski A.I., Kachuk D.N., Zhuk E.S., Konoplitskaya E.V.
Grodno State Medical University, Grodno
Kachuk.nauka@gmail.com*

Evaluation of the effectiveness of the sorption and drainage devices developed by us on the basis of the domestic carbon fiber sorbent "CarboPON-B-Active" in the complex treatment of purulent wounds and soft tissue abscesses. The rate of purification of wounds from purulent contents, changes in intoxication syndrome and duration of treatment.

**РОЛЬ ПСИХОЛОГИЧЕСКОГО И
ФАРМАКОЛОГИЧЕСКОГО ВОЗДЕЙСТВИЯ В
ЛЕЧЕНИИ ПАЦИЕНТОВ С ТЕРМИЧЕСКИМИ
ОЖОГАМИ**

*Ославский А. И., Рекеть А. О., Киселевич Е. С., Шамигулова В.
И., Головня В. И.*

*Гродненский государственный медицинский университет,
г. Гродно, Беларусь
Oslawski.a@mail.ru*

Введение. Термические ожоги (ТО) занимают одно из основных мест среди патологии в хирургических стационарах. Практически у 93-98% пациентов с термическими ожогами наблюдаются как жалобы соматического характера, так и расстройства психической деятельности.

Цель исследования. Оценить роль психотерапевтического воздействия на пациентов с ТО, оценить роль психо- и фармакологических методов коррекции психостатуса в лечении пациентов с ТО.

Материал и методы. Для проведения исследования были подобраны пациенты с термическими ожогами, требующими хирургического вмешательства. Средний возраст пациентов составил $46 \pm 4,8$ года. Обследованы 40 человек, из них 20 мужчин и

20 женщин. Психотерапевтическое лечение включало: групповую, индивидуальную, рациональную психотерапию, релаксационные методики. Медикаментозное лечение: транквилизаторы и седативные препараты. Для исследования отобраны пациенты с расстройством F. 43.2, проявляющимся тревожностью, агрессией, фрустрацией.

Проводились: 1. Психодиагностическая беседа. 2. Опрос пациентов по опроснику агрессивности и враждебности Басса-Дарки. 3. Самооценка психических состояний (по Айзенку).

Результаты исследований. У пациентов диагностированы разные виды расстройств адаптации: тревожное, депрессивное, тревожно-депрессивное.

Получены следующие результаты при анализе данных по опроснику враждебности Басса-Дарки для пациентов с ТО: средняя индивидуальная враждебность при поступлении в стационар $11 \pm 2,1$ балла (норма 7 ± 3) ($p < 0,05$). После хирургического и психотерапевтического лечения индивидуальная враждебность снизилась до уровня нормы – $7 \pm 1,6$ балла. Средняя индивидуальная агрессия при поступлении в стационар составила $28 \pm 2,1$ балла (норма 21 ± 4) ($p < 0,05$). После проведенного лечения она также снизилась до уровня нормы – 21 балл.

При анализе результатов исследования по тесту самооценки психических состояний Айзенка для пациентов с ТО: при поступлении в стационар все изучаемые психические состояния были выше среднего уровня: тревожность – $18 \pm 2,3$ балла, фрустрация – $17 \pm 1,9$ балла, агрессивность – $15 \pm 1,9$ балла, ригидность – $18 \pm 1,7$ балла (средний показатель для всех перечисленных психических состояний – 8-14 баллов). После проведенного хирургического и психотерапевтического лечения все показатели снизились до среднего уровня: тревожность составила $10 \pm 1,7$ балла, фрустрация – $12 \pm 1,9$ балла, агрессивность – $8 \pm 1,4$ балла, ригидность – $14 \pm 1,8$ балла ($p < 0,05$).

В острый период заболевания показатели агрессии, фрустрации, ригидности и враждебности высокие. Тревожность относительно нормы повысилась на 63%, фрустрация – на 56%, агрессивность – на 18%, ригидность – на 63%, индивидуальная враждебность – на 57%, индивидуальная агрессия – на 33% ($p < 0,05$). На результат и высоту этих показателей повлияли:

1. Наличие инфекционного процесса: болевой синдром, наличие гнойного отделяемого, зловонность гнойного отделяемого, раздражение вокруг раны, покраснение, припухлость тканей в зоне воспаления, температура, чувство недомогания, разбитость, головные боли, озноб.

2. Личностные особенности пациента.

3. Типы реакций на заболевание в зависимости от возраста и стадии болезни: у зрелых людей чаще наблюдается дизнозогнозия; разгар заболевания связан с наибольшей глубиной поражения, интенсивностью субъективных ощущений, а к периоду выздоровления возникает адаптация, привыкание к тому, что заболевание имеет место, возникают новые формы общения с окружающими. Таким образом, установлено, что локализация гнойно-воспалительного заболевания не имеет значительной роли в психоэмоциональном состоянии пациентов, но зависит от характера и интенсивности интоксикационного процесса, объема повреждения тканей, личностных особенностей и типов реакций на заболевание в зависимости от возраста и от стадии болезни.

Большое значение в улучшении психоэмоционального состояния имеет тесное взаимодействие в процессе лечения врачей: хирурга, психотерапевта и психиатра. Был установлен психологический контакт с пациентами, при котором они с необходимым устойчивым вниманием слушали беседу врача.

В результате проведенного лечения исчезли или уменьшились жалобы соматического характера: болевой синдром, наличие гнойного отделяемого, зловонность гнойного отделяемого, раздражение вокруг раны, покраснение, припухлость тканей в зоне воспаления, температура, чувство недомогания, разбитость, головные боли и озноб. Нормализовалась температура, со стороны клиничко-лабораторных данных не было признаков воспалительного процесса. Со стороны психической деятельности: улучшился фон настроения, аппетит, сон, уменьшилась раздражительность. Демонстративная неприязнь, враждебность и гнев сменились на доброжелательные отношения. Показатели тревожности снизились на 44%, фрустрации – на 29%, агрессивности – на 38%, ригидности – на 22%, индивидуальной враждебности – на 36%, индивидуальной агрессии – на 25% ($p < 0,05$). Уровень ригидности снизился незначительно, в отличие от других показателей ($p < 0,05$).

Так как ригидность – это личностная характеристика, формирующаяся в процессе жизнедеятельности человека, коррекция данного показателя занимает длительный период. В результате проведенного лечения физическое и психическое состояние значительно улучшилось. Все пациенты выписаны в удовлетворительном состоянии.

Выводы. Важную роль в улучшении состояния пациента внесло психотерапевтическое и фармакологическое вмешательство (транквилизаторы и седативные препараты), учитывая роль эмоциональных факторов в течении заболевания и выздоровлении. Уровень тревожности и эмоциональное напряжение снизились. Недооценка врачами хирургических специальностей важности налаживания психического контакта с пациентами приводит к снижению качества жизни последних, а также увеличивает сроки выздоровления, а значит и длительности госпитализации пациентов после хирургических вмешательств.

Литература

1. Литвак, М. Е. Психотерапевтические этюды: учеб. пособие / М. Е. Литвак. - Ростов-на-Дону: Пайк, 1996. – 221 с.
2. Кандыба, Д. В. СК-Техника гипноза / Д. В. Кандыба. – Санкт-Петербург: Манн Юнеско, 1994. – 502 с.
3. Королева Е. Г. «Психосоматика» Минск, 2007. – 203 с.

Summary

ROLE OF PSYCHOLOGICAL AND PHARMACOLOGICAL INFLUENCE IN TREATMENT OF PATIENTS WITH THERMAL BURNS

Oslavsky A.I., Reket A.O., Kiselevich E.S., Shamigulova V.I., Golovnya V.I.

*Grodno State Medical University, Grodno
Oslawski.a@mail.ru*

The estimated role of psycho-pharmacological correction in patients with thermal burns, as well as the estimated role of surgical and psychotherapeutic effects.

F43.2, anxiety, aggressiveness, hostility, frustration, rigidity are manifested. Methods applied: psychodiagnostic conversation, Bass-Darki technique, self-assessment of the mental state according to Eysenck.

It has been established that psychological and pharmacological corrections in patients under conditions of complex treatment are caused by low or low rates of aggression, frustration and rigidity.

СВОБОДНЫЕ АМИНОКИСЛОТЫ ПЛАЗМЫ КРОВИ ПОСЛЕ ОДНОКРАТНОГО ВНУТРИЖЕЛУДОЧНОГО ВВЕДЕНИЯ ТАУРИНА

Павлюковец А. Ю.

*Гродненский государственный медицинский университет, Гродно,
Беларусь*

Введение. Таурин – непротеиногенная аминокислота, обладающая разными биологическими эффектами, направленными на поддержание физиологического гомеостаза. Показано, что таурин выполняет множество функций в клетках млекопитающих, среди которых особое внимание привлекают его цитопротекторные свойства. Помимо известных функций в метаболизме желчных кислот, таурин является незаменимым компонентом синтеза митохондриальных РНК и, соответственно, белков, участвующих в системе переноса электронов. Таурин, известный модулятор эффектов Ca^{2+} , осморегулятор и агонист глициновых рецепторов в ЦНС [1].

Основной механизм цитопротекторного действия заключается в стабилизации энергетического метаболизма, связывании свободных радикалов и торможения процессов апоптоза и некротической гибели клеток. Механизмы цитопротекторного действия таурина способствуют сохранению здоровья и препятствуют прогрессированию разнообразных хронических патологических процессов, включая патологию ЦНС и заболевания кишечника.

В настоящее время таурин используется как эффективное средство метаболической коррекции в наиболее развитых странах, включая ЕС, США и Японию. Его добавляют в детские смеси, пищевые добавки и энергетические напитки. В России на основе таурина создан ряд лекарственных препаратов – таблетки «Таурин», «Таукард», глазные капли «Тауфон» (4% раствор таурина). Один из аналогов таурина («акомпосат») используется

как препарат антиалкогольной терапии. Интраназальное использование таурина позволяет существенно влиять на поведенческие реакции. Важно отметить, что препараты, созданные на основе таурина, имеют широкие показания к применению и практически не имеют противопоказаний.

Неалкогольное ожирение печени, неалкогольный стеатогепатит и последующее развитие фиброза и гепатоцеллюлярной карциномы, а также метаболический синдром – широко распространенная патология в странах Европы и США. Показано, что пероральный прием таурина на протяжении шести месяцев нормализовал активность аланинаминотрансферазы в плазме крови у детей с ожирением печени. Показано, что потребление продуктов, богатых таурином, или добавки таурина уменьшают риск развития гипертензии и гиперхолестеринемии, уменьшают индекс массы тела и снижают уровни маркеров воспаления у лиц с ожирением. Кроме того, доказан проективный эффект таурина при разных лекарственных интоксикациях, например, он снижает гепатотоксичность сульфолитохолата и иммунотоксичность метотрексата. Таурин оказывает терапевтический эффект при эпилепсии, ишемии, сахарном диабете, застойной сердечной недостаточности. Показан положительный эффект назначения таурина при инфаркте миокарда, алкогольной интоксикации и нейродегенерации у пожилых людей.

Очевидно, что для более полного понимания механизмов действия таурина и выявления его фармакологических эффектов важным является определение изменений в плазме крови через 3 часа (время максимального накопления таурина в тканях и его воздействия на клеточный метаболизм) после однократного введения.

Целью исследования стал анализ изменений спектра свободных аминокислот плазмы крови крыс через 3 часа после однократного введения таурина в дозах 1,5 мМ/кг и 3,5 мМ/кг массы.

Материал и методы. Эксперимент проводили на 20 крысах-самках массой 120-140 г при свободном доступе животных к пище и воде. Животные были разделены на 3 группы: в 1-й (контрольной) группе внутрижелудочно однократно вводили

физраствор, 2-й группе животных внутрижелудочно однократно вводили таурин в дозе 3,5 мМ/кг массы, в 3-й аналогичным образом вводили таурин в дозе 1,5 мМ/кг массы. Декапитацию животных осуществляли через 3 часа после введения таурина. Для анализа использовали плазму крови. Определение свободных аминокислот производили методом обращеннофазной ВЭЖХ с о-фталевым альдегидом и 3-меркаптопропионовой кислотой с изократическим элюированием и детектированием по флуоресценции (231/445 нм). Определение ароматических аминокислот (тирозина и триптофана) проводили методом ион-парной ВЭЖХ с детектированием по природной флуоресценции (280/320 нм для тирозина и 280/340 нм – для триптофана). Все определения осуществляли с помощью хроматографической системы Agilent 1100, прием и обработку данных – с помощью программы Agilent ChemStation A10.01. Математическая обработка данных проведена с помощью программы Statistica 6.0.

Результаты и обсуждение. Однократное введение таурина в дозе 1,5 мМ/кг через 3 часа не изменяет структуру пула свободных аминокислот плазмы крови крыс. При этом введение таурина в дозе 3,5 мМ/кг увеличивает общее количество азотсодержащих метаболитов аминокислот (с 436 ± 23 до 656 ± 21 мкмоль/л), серосодержащих аминокислот (с 233 ± 21 до 482 ± 22 мкмоль/л), повышает соотношения заменимые/незаменимые аминокислоты (с $3,1 \pm 0,16$ до $3,5 \pm 0,11$) и аргинин/орнитин (с $2,9 \pm 0,26$ до $3,8 \pm 0,3$), снижается общее количество ароматических аминокислот (с 205 ± 11 до 155 ± 14 мкмоль/л).

Через 3 часа после однократного введения таурина в дозе 182 мг/кг снижается содержание цитруллина на 17% и α -аминомасляной кислоты на 35%. Введение таурина в дозе 3,5 мМ/кг снижало уровни незаменимых аминокислот валина (на 24%), тирозина (на 36,5%) и фенилаланина (на 21,2%), заменимой аминокислоты аргинин (на 23,6%), а также азотсодержащего метаболита аргинина – цитруллина – на 18%, увеличивало концентрации заменимых аминокислот аспартата (в 1,3 раза) и глутамата (в 1,2 раза). Через 3 часа после введения таурина (3,5 мМ/кг) повышалось содержание β -аланина в 1,5 раза, который является структурным аналогом таурина, для них существует общая система активного транспорта внутрь клеток и, вероятно,

повышение концентрации таурина в плазме крови способствует снижению поступления β -аланина в клетки. Снижение уровня цитруллина после однократного введения таурина, вероятно, обусловлено влиянием таурина на синтез оксида азота (NO) из аргинина, что обуславливает еще один механизм антиоксидантной активности таурина.

Следует отметить, что содержание таурина в плазме крови не изменяется через 3 часа после однократного введения таурина в дозе 1,5 мМ/кг, а при введении в дозе 3,5 мМ/кг содержание таурина в плазме крови увеличивается 2,4 раза.

Выводы. Вероятно, введение таурина способствует анаболизму аминокислот, повышая активность цикла Кребса, генерируя субстраты для трансаминирования заменимых аминокислот и одновременно избыток аминокислот используется для синтеза азотсодержащих метаболитов и не наблюдается признаков повышения активности цикла мочевины.

Литература

1. Шейбак, В. М. Биологическая роль таурина в организме млекопитающих / В. М. Шейбак, Л. Н. Шейбак // Мед. новости. – 2005. – № 10. – С. 15-18.

Summary

FREE BLOOD PLASMA AMINO ACIDS AFTER ONE-TIME INTRASTIC ADMINISTRATION OF TAURINE

Pauliukavets A.Y.

Grodno State Medical University, Grodno

The aim of the study was to analyze changes in the spectrum of free amino acids in rat blood plasma 3 hours after a single injection of taurine at doses of 1.5 mmol / kg and 3.5 mmol / kg of weight. Probably, the administration of taurine promotes the anabolism of amino acids, increasing the activity of the Krebs cycle by generating substrates for the transamination of essential amino acids and at the same time an excess of amino acids is used for the synthesis of nitrogen-containing metabolites and there are no signs of an increase in the activity of the urea cycle.

ОЦЕНКА РИСКОВ ТОКСИЧНОСТИ НЕСТЕРОИДНЫХ ПРОТИВОВОСПАЛИТЕЛЬНЫХ ПРЕПАРАТОВ

Петрушев Е. А., Стадинская Е. И., Гуленов В. В.

*Федеральное государственное бюджетное образовательное
учреждение высшего образования "Северный государственный
медицинский университет" Министерства здравоохранения
Российской Федерации, г. Архангельск
petru3.egor88@gmail.com*

Введение. Нестероидные противовоспалительные препараты (НПВП) как класс химически весьма разнообразны, но имеют сходные терапевтические и побочные эффекты. Все представители данного класса способны уменьшать воспаление, боль и лихорадку путем ингибирования ферментов синтеза эндопероксидов, известных как ферменты циклооксигеназы (ЦОГ). Оба изофермента циклооксигеназы, ЦОГ-1 и ЦОГ-2 превращают арахидоновую кислоту в ее метаболиты эндопероксида, которые включают простаглицлин, простаглицлины и тромбоксан; все они обладают разнообразной биологической активностью. ЦОГ-1 конститутивно экспрессируется и считается основным источником простаноидов, необходимых для физиологического гомеостаза и защиты желудочного эпителия. ЦОГ-2, с другой стороны, индуцибельна, и ее продукция значительно повышается в условиях стресса и воспаления. Несмотря на разную роль каждого изофермента, ЦОГ-1 и ЦОГ-2 могут работать вместе, причем оба способствуют развитию воспалительного ответа [1, 3].

Большое значение при системном применении НПВП все больше приобретает профилактика развития побочных эффектов при их долгосрочном приеме или использовании высокодозной терапии. С целью снижения токсического действия НПВП на желудочно-кишечный тракт (ЖКТ) показано применение препаратов разных фармакологических групп – антациды, цитопротекторы, антибиотики, пробиотики и др. [2, 4, 5]. В то же время к профилактическим подходам относится оценка факторов риска развития токсичных осложнений терапии НПВП для принятия решения о целесообразности их применения в схеме лечения.

Цель исследования. Провести оценку факторов риска развития осложнений НПВП-терапии со стороны ЖКТ у пациентов с ревматоидным артритом (РА). Дизайн исследования одобрен локальным комитетом по биоэтике. Все пациенты были проинформированы и дали согласие на участие в исследовании.

Материал и методы. Обследованы 42 пациента с РА в возрасте от 20 до 70 лет, которые не менее двух недель принимали НПВП. Среди них 31 женщина (73,8%) и 11 мужчин (26,2%). Средний возраст составил $55,3 \pm 1,2$ года для женщин и $51,8 \pm 2,2$ года для мужчин.

Результаты исследований. Установлено, что 50,5% пациентов принимали диклофенак натрия, 19,3% – нимесулид, 10,1% – кетопрофен, 20,1% – другие НПВП.

Эндоскопическое исследование верхних отделов ЖКТ, проведенное 32 пациентам, показало, что у 68,5% пациентов имели место поражения желудка (НПВП-гастропатия), у 47,6% пациентов (20 чел.) не выявлено эндоскопических признаков НПВП-гастропатии или данное исследование не проводилось в связи с отсутствием соответствующих жалоб.

По наличию эндоскопических признаков поражений желудка были сформированы две группы пациентов: I (22 пациента) – с НПВП-гастропатией; II (20 пациентов) – без НПВП-гастропатии. Сравнение групп показало, что относительный риск (ОР) развития поражений желудка, ассоциированных с приемом НПВП, составил: 8,0 (95% ДИ: 5,5-15,3) при язвенном анамнезе ($p < 0,05$), 3,3 (95% ДИ: 3,0-8,2) при приеме более двух НПВП ($p < 0,05$), 2,2 (2,0-3,8) – при комбинированном приеме антикоагулянтов ($p < 0,05$), 3,0 (2,5-5,5) – при приеме стероидных препаратов ($p < 0,05$), 3,9 (2,8-5,2) – при сопутствующей патологии печени ($p < 0,05$), 8,9 (95% ДИ: 7,3-11,4) – у пациентов в возрасте старше 55 лет ($p < 0,05$), 1,1 (95% ДИ: 0,7-1,5) – при употреблении алкоголя ($p > 0,05$), 1,0 (95% ДИ: 0,4-1,3) – при курении ($p > 0,05$).

Кроме того, обследование показало, что у 78,3% пациентов с НПВП-гастропатией выявлены жалобы на боль в эпигастрии, у 55,5% – изжога, у 48,5% – вздутие.

Внутрижелудочная рН метрия показала, что у 88,8% пациентов с НПВП-гастропатией имела место гиперацидность.

Выводы. Проведенное исследование показало, что прием более двух НПВП на фоне гиперацидности желудочного сока, язвенного анамнеза пациентами старше 55 лет выступает неблагоприятным фоном и способствует развитию поражений верхних отделов ЖКТ при использовании НПВП.

Литература

1. Применение системы проблем, связанных с лекарственными препаратами (drug-related problems), на примере группы нестероидных противовоспалительных средств / А. В. Матвеев, А. Е. Крашенинников, Е. А. Егорова, Е. И. Коняева // Фармация и фармакология. – 2019. – № 7 (4). – С. 215–223. <https://doi.org/10.19163/2307-9266-2019-7-4-215-223>

2. Степанюк Н. Г. Характеристика ускладнень фармакотерапії на тлі застосування НПЗЗ за даними спонтанних карт-повідомлень у Подільському регіоні за 2013 рік / Н. Г. Степанюк, Ф. В. Гладких // Клінічна фармація, фармакотерапія та медична стандартизація. – 2014. – № 1-2 (22–23). – С. 30–34. – Режим доступа: http://clinpharm.meduniv.lviv.ua/FILES/kffms_1-2_2014/all.pdf

3. Гладких Ф. В. Превентивно-лечебные стратегии фармакокоррекции гастропатии, индуцированной нестероидными противовоспалительными препаратами / Ф. В. Гладких // Обзоры по клинической фармакологии и лекарственной терапии. – 2017. – № 4. – С. 14–23. DOI: <http://dx.doi.org/10.17816/RCF15414-23>

4. Tkach S. Efficacy and safety of Rebamipide in prevention of NSAID-gastropathy / S. Tkach, L. Onischuk, A. Balabantseva // International Journal of Biomedicine. – 2017. – № 7(1). – P. 57–59. [https://doi.org/10.21103/Article7\(1\)_ShC1](https://doi.org/10.21103/Article7(1)_ShC1)

5. Гладких Ф. В. Характеристика терапевтичного ефекту ібупрофену та його комбінації з вінбороном за даними гематологічних показників на моделі ад'ювантного артриту у щурів / Ф. В. Гладких, Н. Г. Степанюк // Львівський медичний часопис. – 2015. – № 4. – С. 64–70. – Режим доступа: http://nbuv.gov.ua/UJRN/Lmch_2015_21_4_14.

Summary

ASSESSMENT OF RISKS OF TOXICITY OF NON-STEROID ANTI-INFLAMMATORY DRUGS

Petrushev E.A., Stadinskaya E.I., Gulepov V.V.

*Federal State Budget Educational Institution of Higher Education
“Northern State Medical University” of the Ministry of Healthcare of the
Russian Federation, Arkhangelsk
petru3.egor88@gmail.com*

The study showed that taking more than two non-steroidal anti-inflammatory drugs against hyperacidity of gastric juice, a peptic ulcer history by patients over 55 years of age acts as an unpleasant background and contributes to the development of lesions of the upper gastrointestinal tract when using non-steroidal anti-inflammatory drugs.

РЕЗУЛЬТАТЫ ХИРУРГИЧЕСКОГО ЛЕЧЕНИЯ ГИДРОНЕФРОЗА У ДЕТЕЙ

Розульский А. Г., Ковальчук-Болбатун Т. В.

*УО «Гродненский государственный медицинский университет»,
Гродно, Беларусь
sasha_200692@mail.ru*

Введение. Гидронефроз – заболевание почки, обусловленное нарушением проходимости лоханочно-мочеточникового соустья, приводящее к затруднению оттока мочи и расширению чашечно-лоханочной системы почки. Увеличение внутримонолоханочного давления приводит к постепенному сдавливанию паренхимы (ткани, в которой происходит фильтрация мочи) почки, нарушению в ней циркуляции крови, развитию соединительной ткани, в результате чего происходят сморщивание органа и полная потеря его функции, и только своевременная коррекция и оперативное лечение гидронефроза улучшает функциональное состояние почек и мочевых путей, способствует росту и развитию паренхимы почки [1].

Цель исследования – оценка функции почек у детей разных возрастных групп, перенесших оперативное вмешательство по поводу врожденного порока развития (ВПР) почек: гидронефроза.

Материал и методы. Проведен ретроспективный анализ 41 истории болезни пациентов, находившихся на лечении и обследовании в хирургическом отделении УЗ «ГОДКБ» и оперированных по поводу врожденного гидронефроза с 2015 по 2019 гг.

Результаты исследований. Средний возраст госпитализированных детей составил 5,7 года, из них до 3-х лет – 22 ребенка (53,7%), старше 3-х лет – 19 детей (46,3%). Все дети поступали в хирургическое отделение с целью планового

оперативного лечения врожденного гидронефроза, а также для контрольного обследования через 6 месяцев после операции.

Частота одностороннего поражения: 38 детей (92,7%), при этом поражение 2-й степени – у 12 детей (29,2%), 3-й степени – у 20 детей (48,8%), гидронефроз 4-й степени – у 6 детей (14,7%); двустороннее поражение почек наблюдалось у 3 детей (7,3%).

В качестве методов диагностики в предоперационном периоде использовались: внутривенная урография, выполненная 41 пациенту (100%), на которой отмечалось контрастирование обеих почек и расширение собирательной системы поврежденной почки у 38 детей (92,7%), и двухстороннее расширение собирательной системы почек у 3 детей (7,3%); УЗИ-почек и мочевого пузыря, выполненное 41 пациенту (100%), средняя толщина паренхимы почки на стороне повреждения составила 8,6 мм, одностороннее расширение чашечно-лоханочной системы (ЧЛС) у 38 детей (92,7%), двухстороннее расширение ЧЛС – у 3 детей (7,3%), динамическая нефросцинтиграфия (ДНСГ) выполнена 16 пациентам (39,0%), у 4 пациентов (25,0%) наблюдалось снижение клубочковой фильтрации.

Всем пациентам выполнено оперативное вмешательство по поводу основного заболевания. Реконструктивная полостная операция по коррекции врожденного порока развития (ВПР) почки: резекция и пластика лоханочно-мочеточникового сегмента по Хайнсу-Андерсону произведена 40 пациентам (97,6%), лапароскопическая нефрэктомия – 1 пациенту (2,4%).

Во время операции при детальной ревизии выявлено, что у 32 пациентов (78,1%) причиной гидронефроза стал стеноз мочеточника в прелоханочном отделе, у 8 пациентов (19,5%) имелись дополнительные сосуды, передавливающие мочеточник, у 1 пациента (2,4%) причиной гидронефроза был патологически измененный мочеточник диаметром 0,5 см, отходящий от лоханки в виде трех коленообразных изгибов, смещенных по оси, деформированный на этом участке множественными спайками.

Раннее послеоперационное осложнение в виде несостоятельности лоханочно-мочеточникового анастомоза наблюдалось в 1 случае (2,4%).

Результаты исследования показали, что в позднем послеоперационном периоде исходом лечения было улучшение.

Внутривенная урография выполнялась у 32 детей, у 12 детей (37,5%) сохранялось одностороннее расширение собирательной системы почки, УЗИ почек и мочевого пузыря выполнялось 41 ребенку (100%), средняя толщина паренхимы оперированной почки составила 10,8 мм, расширение ЧЛС у 17 детей (41,4%).

Выводы:

1. Эффективным способом хирургической коррекции врожденного гидронефроза у детей – метод Хайнса-Андерсона. Положительные результаты после оперативной коррекции гидронефроза свидетельствуют о патогенетически обоснованной операции при данной патологии.

2. В послеоперационном периоде у детей наблюдается сохранение расширения собирательной системы почки, что связано с длительностью и тяжестью латентного и активного пиелонефритов, с длительностью заболевания и достаточно обширным оперативным вмешательством. Поэтому все пациенты после операций нуждаются в постоянном диспансерном наблюдении у уролога с УЗИ контролем каждые 6 месяцев.

Литература

1. Пугачев А. Г. Детская урология. - Москва 2009.
2. Ческис А. Л. Состояние и развитие почек после оперативного лечения гидронефроза у детей / А. Л. Ческис, Э. С. Севергина, Л. В. Леонова. М., 2002.
3. Карпенко В. С. Причины гидронефроза и выбор метода оперативного лечения / В. С. Карпенко. Киев, 2002.

Summary

RESULTS OF SURGICAL TREATMENT OF HYDRONEPHROSIS IN CHILDREN

Rogulsky A.G., Kovalchuk-Bolbatun T.V.

Grodno State Medical University, Grodno

sasha_200692@mail.ru

The article presents data from a retrospective analysis of case histories of 41 children operated on for a congenital malformation of the kidneys: hydronephrosis. Kidney function evaluated in children undergoing Hines-Anderson surgery.

ВЛИЯНИЕ СПИРТОВОГО РАСТВОРА ФОТОСЕНСИБИЛИЗАТОРА НИЛЬСКОГО СИНЕГО НА УЛЬТРАСТРУКТУРНЫЕ ЭЛЕМЕНТЫ БРЮШИНЫ КРЫС

Русин В. И.

*Гродненский государственный медицинский университет, Гродно,
Беларусь
rw_2006@mail.ru*

Введение. Антимикробная фотодинамическая терапия успешно применяется для лечения отдельных форм хирургической инфекции и может рассматриваться как перспективный метод лечения острого перитонита. Вместе с тем в современной литературе лишь недавно стали появляться единичные сообщения об использовании данной методики при перитоните [1, 2, 3]. В доступной литературе отсутствуют сведения о влиянии фотосенсебилизаторов на состояние брюшины при их внутрибрюшинном введении.

Цель исследования. В данной работе изучали влияние 0,1% спиртового раствора фотосенсibilизатора нильского синего на состояние брюшины крыс при его внутрибрюшинном введении.

Материал и методы исследования. Электронно-микроскопическое исследование брюшины проведено на 18 крысах. Ультраструктурные изменения брюшины определялись в участке брыжейки подвздошной кишки. Забор брыжейки подвздошной кишки осуществляли следующим образом: острым лезвием вырезали участок брыжейки площадью 3×4 мм из области, находящейся на расстоянии 1-1,5 см от впадения тонкой кишки в слепую и прилежащей к подвздошной кишке. Забирали тонкую полосу жировой прослойки, окружающей один из крупных сосудистых пучков брыжейки и прилежащую к нему прозрачную брыжейку. При этом прозрачная часть занимала не менее 2/3 площади образца. Материал фиксировали в 1% осмиевом фиксаторе в течение 2 часов, промывали, обезвоживали, заключали в аралдит. Получали полутонкие и ультратонкие поперечные срезы прозрачной части брыжейки на ультрамикротоме MT 7000 (RMC). Полутонкие срезы окрашивали метиленовым синим и просматривали на световом микроскопе, ультратонкие срезы

контрастировали уранилацетатом и цитратом свинца (по Рейнольдсу), после чего изучали на электронном микроскопе JEOL-1011.

Результаты. Ультраструктура брыжейки подвздошной кишки у крыс после внутрибрюшинного введения 0,1% этанола мало отличается от таковой у интактных животных. Мезотелиоциты на апикальной поверхности имеют многочисленные микроворсинки. Строение фибробластов идентично строению этих клеток у интактных животных. Тучные клетки не имеют признаков дегрануляции. Однако в отличие от интактных животных в контроле макрофаги брыжейки часто имеют неправильную форму ядра с инвагинациями кариолеммы, в их цитоплазме содержится большее количество лизосом телец и разных включений, иногда встречаются фагосомы. Цитоплазма макрофагов, как правило, образует несколько псевдоподий. Данная ультраструктурная организация характерна для активированных макрофагов. Наряду с этим в брыжейке животных данной группы встречаются единичные эозинофильные лейкоциты.

В целом ультраструктура мезотелия, а также основного вещества и клеточных элементов соединительной ткани брыжейки подвздошной кишки у крыс контрольной группы сходна с таковой у интактных животных. Однако наличие активированных макрофагов и единичных эозинофильных лейкоцитов свидетельствует о некоторой активации иммунных процессов в брыжейке в ответ на введение растворителя.

У животных после введения раствора нильского синего мезотелиоциты на апикальной поверхности имеют многочисленные микроворсинки. В мезотелиоцитах встречается развитый комплекс Гольджи. Фибробласты нередко содержат липидные капли в цитоплазме. Макрофаги брыжейки часто имеют фагосомы, наблюдаются и клетки с развитым комплексом Гольджи при умеренном количестве лизосом и включений. Строение эндотелиоцитов идентично строению этих клеток у контрольных животных. Встречаются единичные тучные клетки, которые в большинстве случаев имеют признаки дегрануляции. В брыжейке животных данной группы присутствуют единичные эозинофильные лейкоциты.

Через 48 часов после внутрибрюшинного введения нильского синего (в указанной дозе) не отмечено существенного нарушения ультраструктуры мезотелия и соединительнотканых компонентов брыжейки. Однако наблюдаемая умеренная гипертрофия комплекса Гольджи в мезотелиоцитах и макрофагах брыжейки может свидетельствовать об активации синтетических, или, возможно, детоксикационных процессов в данных клетках в ответ на воздействие препарата.

Заключение. Спиртовой 0,1% раствор фотосенсибилизатора нильского синего при воздействии в течение 48 часов не вызывает существенных изменений ультраструктурных элементов брюшины крыс.

Литература

1. The influence of photodynamic therapy on the wound healing process in rats / R.S. Jayasree [et al.] // J. Biomater. Appl. – 2001. – Vol. 15, № 3. – P. 176–186.

2. The use of porphyrins for eradication of Staphylococcus aureus in burn wound infections / A. Orenstein [et al.] // FEMS Immunol. Med. Microbiol. – 1997. – Vol. 19, № 4. – P. 307–314.

1. Wainwright, M. Photodynamic antimicrobial chemotherapy / M. Wainwright // Journal of Antimicrobial Chemotherapy. – 1998. – V. 42(1). – P. 13–28.

Summary

INFLUENCE OF THE ALCOHOL SOLUTION OF THE NILE BLUE PHOTOSENSITIZER ON ULTRASTRUCTURAL ELEMENTS OF THE RAT PERITONEUM

Rusin Viktor

Grodno State Medical University, Grodno, Belarus

rw_2006@mail.ru

The use of photodynamic therapy with therapeutic purpose in medical practice causes the increasing interest of scientists. Alcohol 0.1% solution of the Nile blue photosensitizer when exposed for 48 hours does not cause significant changes in the ultrastructural elements of the rat peritoneum.

НЕСПЕЦИФИЧЕСКАЯ РЕЗИСТЕНТНОСТЬ КРОВИ КРЫС С ЭКСПЕРИМЕНТАЛЬНЫМ ПЕРИТОНИТОМ ПОСЛЕ ПРИМЕНЕНИЯ ФОТОДИНАМИЧЕСКОЙ ТЕРАПИИ С НИЛЬСКИМ СИНИМ И КРАСНЫМ ЛАЗЕРОМ

Русин В. И.

*Гродненский государственный медицинский университет, Гродно,
Беларусь
rw_2006@mail.ru*

Введение. Благодаря способности фотосенсибилизаторов селективно накапливаться в микробных клетках и поврежденных тканях, которые являются объектом для фотодинамического воздействия, в настоящее время антимикробная фотодинамическая терапия может рассматриваться как альтернатива традиционной антибиотикотерапии гнойной инфекции [1, 2, 3].

Цель исследования. В данной работе изучали влияние фотодинамической терапии с применением красного лазера и нильского синего на некоторые показатели неспецифической резистентности крови беспородных белых крыс с экспериментальным перитонитом.

Материал и методы исследования. Исследование проведено на 18 беспородных белых крысах (самцы массой 150-200 г). В качестве основного контроля использовали интактных животных (1-я группа – 6 крыс). Кроме того, группе из 6 животных после проведения срединной лапаротомии в брюшную полость вводили 2 мл каловой взвеси, т. е. моделировали перитонит (2-я группа). Группе из 6 животных через 3 часа после моделирования перитонита проводили сеанс фотодинамической терапии с красным лазером и фотосенсибилизатором нильский синий (3-я группа). Рану после лапаротомии послойно ушивали.

Для проведения анализа у крыс осуществляли забор 2 мл цельной крови и определяли показатели неспецифического гуморального (количество циркулирующих иммунных комплексов (ЦИК), СН50 (гемолитическую активность комплимента в сыворотке) и клеточного (фагоцитарный индекс, фагоцитарное число) иммунитета.

Содержание лейкоцитов в крови и количественную оценку

основных типов клеток (лейкоцитарная формула крови) определяли путем микроскопического исследования. Количество лейкоцитов крови устанавливали с помощью счетной камеры Горяева по общепринятой методике. Лейкоцитарную формулу подсчитывали в мазках крови, окрашенных по Романовскому.

Результаты. ФДТ с 0,1% спиртовым раствором нильского синего и красным лазером привела к разнонаправленным эффектам субпопуляций. Так, уровень лимфоцитов снизился при одновременном повышении процентного содержания сегментоядерных нейтрофилов. Однако при этом значительных изменений функциональной активности фагоцитов нами не установлено.

Заключение. Фотодинамическая терапия с раствором нильского синего и лазерным излучением красного спектра ($\lambda=0,67$ мкм, $W=0,4$ Дж/см²) способствовала плавному восстановлению изучаемых показателей на фоне перитонита. Это свидетельствует о восстановлении функций иммунитета, нарушенных вследствие общей интоксикации организма животных.

Литература

1. Дуванский, В. А. Фотодинамическая терапия в комплексном лечении больных с острыми гнойными заболеваниями мягких тканей / В. А. Дуванский // Лазер. медицина. – 2003. – Т. 7, вып. 3-4. – С. 41-45.
2. Hamblin, M.R. Photodynamic therapy: a new antimicrobial approach to infectious disease? / M.R. Hamblin, T. Hasan // Photochem. Photobiol.Sci. – 2004. – Vol. 3, № 5. – P.436-450.
3. Malik, Z. Bactericidal effects of photoactivated porphyrins – an alternative approach to antimicrobial drugs / Z. Malik, J. Hanania, Y. Nitzan // J. Photochem. Photobiol. B. Biology. – 1990. – Vol. 5, №3-4. – P. 281-293.

Summary

NON-SPECIFIC RESISTANCE IN THE BLOOD OF RATS WITH EXPERIMENTAL PERITONITIS AFTER PHOTODYNAMIC THERAPY WITH NILE BLUE AND RED LASER

Rusin V. I.

Grodno State Medical University, Grodno, Belarus

rw_2006@mail.ru

The use of photodynamic therapy with therapeutic purpose in medical practice causes the increasing interest of scientists.

Photodynamic therapy with Nile blue and red laser radiation ($\lambda = 0.67$ m, $W = 0.4$ Joules/cm²) facilitated the smooth recovery of studied indicators in terms of peritonitis. This shows the restoration of immunity functions, disturbed by the general intoxication of the organism.

НАСЛЕДСТВЕННЫЙ АНАМНЕЗ У ПАЦИЕНТОК С НОВООБРАЗОВАНИЯМИ ЯИЧНИКОВ

Савлук В. В.

*УЗ «Волковысская центральная районная больница», Волковыск,
Гродненская область, Беларусь
veronika.savluk-93@mail.ru*

Введение. Ежегодно в мире регистрируется 165 тысяч новых случаев злокачественных новообразований яичников и 101 тысяча смертей от них. Этот рак – одна из основных причин смерти от злокачественных новообразований женских репродуктивных органов. Рак яичников составляет 4% от всех диагностированных злокачественных новообразований и 5% от всей смертности от онкологических заболеваний у женщин. Отсутствие специфических клинических проявлений, частое бессимптомное течение рака яичников на ранних стадиях, отсутствие высокочувствительных методов диагностики, высокая смертность при запущенных стадиях рака яичников требуют особого подхода к формированию групп риска развития данной патологии и более глубокого диагностического поиска ранних признаков заболевания у пациенток. Хотя наследственные раки яичников достаточно редки, их молекулярная генетика изучена значительно лучше по сравнению со спорадическими опухолями, именно поэтому семейные случаи онкозаболеваний заслуживают особого внимания.

Цель – изучение литературных данных по вопросам наследственного рака яичников, а также анализ семейного анамнеза у пациенток с гистологически подтвержденным раком яичников, которые проходили лечение в Гродненском областном онкологическом диспансере в 2017-2019 гг.

Материал и методы исследования. Изучены данные семейного анамнеза у 166 пациенток, страдающих раком яичников, полученные при персональном анкетировании женщин по

специально разработанной нами анкете. Обработка результатов опроса проводилась с помощью Microsoft Excel.

Результаты. В настоящее время наиболее изучены две независимые формы наследственного рака яичников: 1. Синдром рака молочной железы и яичников, на который приходится 90-95% всех случаев наследственного рака яичников; 2. Синдром Линча II – семейный первично-множественный рак толстой кишки, ассоциированный с раками других гормонозависимых органов (рак эндометрия, рак яичников, рак молочной железы, рак щитовидной железы). Как показывает генетический анализ, большинство случаев наследственного рака яичников связано с генеративными мутациями гена BRCA1. Семейный анамнез у носительниц поврежденного BRCA1 характеризуется, как правило, наличием более 1 случая рака молочной железы и яичников у кровных родственников. Нарушения гена BRCA2 выявлены в семьях, где не было обнаружено связи синдрома рака молочной железы и яичников с мутациями в гене BRCA1. Синдром Линча II определяется наличием наследственного дефекта в каком-либо из пяти известных генов: MSH2, MLH1, MSH6, PMS2, PMS1. Белки, кодируемые этими генами, участвуют в процессах репарации ДНК, потеря их функции приводит к специфической форме генетической нестабильности. Существует ряд работ, в которых показана ценность определения нарушений в генах BRCA1 и BRCA2 у пациенток с раком яичников с целью дальнейшего персонализированного подхода к наблюдению и лечению этих женщин, а также их кровных родственников. Риск заболеть раком яичников к 70 годам составляет приблизительно 40-60% для BRCA1 и 18% – для BRCA2 [1].

Скрининговые исследования яичников не улучшают исходы при раке яичников, поэтому женщинам с высоким риском рекомендуется выполнять аднексэктомия в возрасте 40 лет с последующей гормональной заместительной терапией [1].

В проведенном нами исследовании были опрошены 166 пациенток с гистологически подтвержденным раком яичников. Средний возраст женщин составил 57 лет (от 28 до 83 лет). Сочетание рака яичников и рака другой локализации отмечалось у 12 пациенток (7%). Среди них у 8 пациенток рак молочной железы, у 2 – рак толстого кишечника и по одному случаю рака желудка и

почки. Мы целенаправленно анализировали наличие онкопатологии у матери, родных сестер, сводных сестер со стороны матери и со стороны отца, дочерей пациенток. Некоторые женщины отмечали развитие онкологии у других родственников. Из 166 пациенток у 36 (22%)отягощенный семейный анамнез со стороны матери. Среди онкологической заболеваемости матерей у 13 (36%) – рак яичников (средний возраст – 62 года), у 6 (17%) – рак молочной железы (средний возраст – 59 лет), у 3 (8%) – рак тела матки (средний возраст – 59 лет); из экстрагенитальных опухолей у 4 (11%) – рак органов желудочно-кишечного тракта, у 3 (8%) – рак легкого, единичные случаи меланомы, рака гортани и рака неясной локализации. Вместе с тем 19 пациенток (11%) отмечали злокачественные новообразования у сестер. Структура онкопатологии у сестер распределилась следующим образом. Рак яичников у 8 сестер (40%) (средний возраст – 49 лет), рак молочной железы – у 6 (30%) (средний возраст – 46 лет), единичные случаи рака тела матки, рака щитовидной железы, злокачественной опухоли головного мозга и рака без уточненной локализации. Только у одной пациентки онкозаболевание было у дочери (рак молочной железы в 32 года), при этом у матери и сестры опрошенной женщины из исследованной группы онкопатологии нет. При опросе две пациентки отметили развитие у матери или сестры билатерального метакронного рака молочных желез. Одновременное наличие злокачественных новообразований и у матери, и у сестры отметили 7 пациенток (4%) см. таблицу 1.

Таблица 1. – Случаи злокачественных новообразований у матери и сестры

№ случая	Новообразование у матери	Возраст матери	Новообразование у сестры	Возраст сестры
1	Рак яичников	62	Рак тела матки	51
2	Рак яичников	67	Рак яичников	41
3	Неуточненная локализация	79	Рак щитовидной железы	48
4	Рак молочной железы	57	Рак яичников	49
5	Злокачественная опухоль легкого	-	Злокачественная опухоль головного мозга	-
6	Рак молочной железы	62	Рак молочной железы	55
7	Рак желудка	78	Рак яичников	63

По мужской линии (отцы, братья, сыновья) встречались единичные случаи рака пищевода, желудка, поджелудочной железы, простаты, гортани, легкого.

Выводы. Результаты проведенного анализа позволяют сделать некоторые частные выводы, представляющие интерес для дальнейшего исследования: у каждой пятой пациентки с раком яичников имеется отягощенный наследственный анамнез; в большинстве случаев у кровных родственников по женской линии наблюдались злокачественные поражения репродуктивной системы. Принимая во внимание данные научной литературы и оценив семейный анамнез, нельзя исключить наследственный характер рака яичников у ряда опрошенных женщин. Отмечено, что злокачественные новообразования у пациенток и их сестер возникали раньше, чем у их матерей, что косвенно свидетельствует о накоплении генетических поломок.

Литература

1. Hereditary Ovarian Cancer and Risk Reduction / Andrews L, Mutch DG// Best Pract Res Clin Obstet Gynaecol. - 2017 May

Summary

HEREDITARY HISTORY IN PATIENTS WITH OVARIAN NEOPLASMS

Savluk V. V.

*Volkovysk Central Regional Hospital
veronika.savluk-93@mail.ru*

Studying family history in women with ovarian cancer is very important. Determining the presence of oncology in relatives will allow targeting possible disorders in the BRCA1 and BRCA2 in these patients, which will help to determine the individual plan of their treatment and examination of relatives.

РОЛЬ ЦИТОЛОГИИ В МЕНЕДЖМЕНТЕ ИНТРАЭПИТЕЛИАЛЬНЫХ ДИСПЛАЗИЙ И НЕИНВАЗИВНОГО РАКА ШЕЙКИ МАТКИ

Станько Д. Э., Василькевич М. И.

*Гродненский государственный медицинский университет, Гродно,
Беларусь
363den@gmail.com*

Введение. Злокачественные новообразования шейки матки занимают 2-е место в структуре онкологической заболеваемости среди женщин в 2018 г. В Республике Беларусь рак шейки матки (РШМ) находится на 7-м месте в аналогичном рейтинге. За последние десятилетия наблюдается сдвиг пика заболеваемости РШМ: при сравнении двух пятилетних периодов 2008-2012 гг. и 2013-2017 гг. произошло смещение с возрастной группы 50-54 года (31,5 случаев на 100 000 населения) в более молодую группу 45-49 лет (31,8 случаев на 100 000 населения). Четко распознаваемая преклиническая фаза, так называемые цервикальные интраэпителиальные неоплазии (CIN), а также длительный период развития данного заболевания и относительно простой доступ к органу создают все условия для ранней диагностики патологии.

Цервикальные интраэпителиальные неоплазии – предрак шейки матки – инициируются вирусами папилломы человека (ВПЧ) высокого канцерогенного риска (ВКР) и прогрессируют от формы персистирующей ВПЧ-инфекции к интегрированному состоянию в геноме клеток, запуская их онкогенез. Ряд авторов отмечают, что вовлечение эндоцервикальных крипт в неопластический процесс ухудшает прогноз заболевания [1], что важно учитывать при заборе материала для скрининговых обследований, особенно для контроля излеченности в послеоперационном периоде.

Цель исследования. Определить значение цитологического метода диагностики в менеджменте интраэпителиальных поражений шейки матки на современном этапе.

Материал и методы. В исследование были включены 180 пациенток онкогинекологического отделения УЗ «ГОКБ» в возрасте от 21 до 83 лет с диагнозом CIN – CIS. Диагноз верифицирован во всех случаях после проведения прицельной

биопсии и выполненной в последующем конусовидной ампутации шейки матки. Все пациентки путем рандомизации были разделены на 2 группы: в 1-й – 49 пациенток, которым дополнительно выполнен интраоперационный забор клеточного материала из остаточной порции цервикального канала, во 2-й – 141 пациентка без интраоперационного контроля остаточной порции. Исследования проводились по общепринятой методике. Для интерпретации цитологических заключений использовалась терминологическая система Bethesda 2014. Статистический анализ проводили с использованием пакета STATISTICA 10.0. Для сравнения переменных применяли тест Манна-Уитни (Mann-Whitney U Test). Нулевая гипотеза (об отсутствии различий между переменными) отвергалась на уровне значимости $\alpha=0,05$, ($p<0,05$).

Результаты исследования. В результате проведенного исследования установлено, что средний возраст в обеих группах женщин не различался и составил $38,7\pm 10,86$ года в 1-й группе, $39,16\pm 11,88$ лет во 2-й группе. В 1-й группе за счет методики интраоперационного цервикального контроля выявлены и прооперированы в кратчайшие сроки пациенты в 4,08% случаев остаточных изменений в цервикальном канале. Интраоперационное взятие материала позволило выявить признаки диспластических изменений в остаточной порции цервикального канала в 16,3% случаев, при этом патологическими оказались 22,4% мазков. При выявлении у пациенток обеих групп CIN2+ поражений заключение ASCUS составило 12,66%, NILM – 16,46%. Недооценка степени тяжести интраэпителиального поражения при использовании цитологического метода в качестве скринингового наблюдалась в 11,4% случаев. Чувствительность цитологического метода для выявления сквамозного интраэпителиального поражения составила 78,15% без учета результатов ASCUS. Медиана возраста обнаружения ASCUS при наличии CIN2+ поражения составила $35,5\pm 7$ лет.

Не выявлено достоверных различий в возрасте пациенток между выявленными LSIL и HSIL поражениями без учета случаев рака шейки матки. Нижняя квартиль для CIN 2+ поражений составила 30 лет, для случаев верифицированного рака шейки матки без инвазии – 35 лет.

Послеоперационный диспансерный контроль спустя 3 месяца проходят только 57,77% пациентов. Учитывая особенности регенерации и эпителизации шейки матки после проведенного лечения, таким образом формируются условия для диагностической уязвимости цитологической методики и несвоевременной диагностики резидуальных изменений в остаточной порции цервикального канала.

Выводы. По нашему мнению, поражение цервикальных крипт – неблагоприятный фактор, свидетельствующий об агрессивности течения CIN и определяющий выбор тактики ведения пациенток с SIL, особенно таковых в возрасте 30 лет и старше при наличии эндоцервикальных форм поражений и зоны трансформации 3 типа в объеме эксцизионных процедур. Выдвинуто предположение о нелинейном и одномоментном характере прогрессии интраэпителиальных цервикальных поражений до стадии развития инвазивного рака. Особое внимание должно быть уделено цитологическим результатам ASCUS у пациенток в возрасте 35 лет и старше. Проведение интраоперационного контроля остаточной порции канала шейки матки на наличие атипических клеток значительно повышает возможность ранней диагностики резидуальных изменений цервикального канала в условиях низкой приверженности пациентов к постэксцизионным осмотрам на этапе диспансерного наблюдения.

Литература

1. Sun, X. G. et al. Predictors and clinical significance of the positive cone margin in cervical intraepithelial neoplasia III patients / X. G. Sun, et al. // Chin. Med. J. (Engl.). — 2009. — Vol. 122. - №.4. — P. 367-372.

Summary

THE ROLE OF CYTOLOGY IN THE MANAGEMENT OF INTRAEPITHELIAL DYSPLASIA AND NON-INVASIVE CERVICAL CANCER

Stanko D. E., Vasilkevich M. I.

Grodno State Medical University, Grodno

A topical issue is the tactics of management of patients with CIN depending on their age, presence of endocervical lesion, type of

transformation zone, as well as the peculiarities of postoperative control as well as determination of its timing. Lesion of cervical crypts is an unfavorable factor that indicates the aggressiveness of the CIN development and determinate the choice for excision and management of patients with SIL, especially those aged 30 years and older with the presence of endocervical lesions and zone of transformation of type 3.

The nonlinear and simultaneous progression of intraepithelial cervical lesions to the stage of invasive cancer development has been suggested.

ИЗУЧЕНИЕ КЛИНИЧЕСКОЙ АНАТОМИИ ТЕМЕННОГО ОТВЕРСТИЯ МЕТОДОМ ЦИФРОВОЙ КРАНИОМЕТРИИ

Татур А. А., Денисов С. Д.

*Белорусский государственный медицинский университет, Минск,
Беларусь
ratuat@gmail.com*

Введение. Изучение малых и непостоянных структур, таких как теменные отверстия, классическими анатомическими методами на трупном либо костном материале имеет ряд ограничений. Это проблемы с доступностью трупного материала, трудоемкость и длительность процесса препарирования, дороговизна подобных исследований [5], невозможность описания топографии и определения возрастных и гендерных корреляций при изучении отдельных, не имеющих данных по возрасту и полу костей и целых черепов [1, 2, 4]. В настоящее время альтернатива классическим анатомическим исследованиям – использование данных компьютерной томографии [3].

Цель исследования – изучить клиническую анатомию теменного отверстия методом цифровой краниометрии.

Материал и методы. Изучение топографии теменного отверстия проводилось путем анализа 136 случайных томограмм черепа с толщиной среза 1 мм, выполненных на компьютерном томографе Toshiba Aquilion в ГУ "Минский научно-практический центр хирургии, трансплантологии и гематологии" в январе 2018 г. Критерии для включения томограмм в исследование: 1) отсутствие артефактов при томографии, вызванных движениями пациента; 2) отсутствие костных дефектов в зоне сканирования; 3) отсутствие

выраженного отека головного мозга, сопровождающегося дислокацией срединных структур; 4) отсутствие объемных процессов разной этиологии в области исследования. По этим критериям из 136 томограмм для исследования теменных отверстий отобрано 90. Последующая обработка изображений произведена в программном комплексе «3DSlicer». Статистическая обработка выполнена при помощи программного комплекса «Statistica 10» и Microsoft Excel.

Результаты исследований. Теменное отверстие выявлено в 61 случае из 90 (67.7%). В 39 случаях (43.3%) с обеих сторон, в 22 случаях (24.4%) только с одной стороны (только слева в 7 случаях (7.8%), только справа в 15 (16.7%)). В 6 (6.7%) случаях выявлены двойные теменные отверстия, в 3 (3.3%) случаях слева, в 3 (3.3%) случаях справа. Всего на 61 томограмме выявлено 106 теменных отверстий: слева – 49, справа – 57. Средний возраст выборки составил $57.4 (19-89) \pm 17.4$ года. Среди исследуемой группы число женщин – 31 (51%), мужчин – 30 (49%). Среднее расстояние назион-инион составило $323,24 (291.34-345.84) \pm 13.25$ мм: у женщин $318.21 (291.34-345.84) \pm 14.02$ мм, у мужчин $328.45 (305.39-345.28) \pm 10.23$ мм. Различие расстояния назион-инион достоверно зависит от пола ($p < 0.002$). Диаметр наружного теменного отверстия слева и справа коррелирует ($r=0.57$ и $r=0.28$, соответственно) с диаметром соответствующих внутренних отверстий. Расстояние наружного теменного отверстия от линии назион-инион слева и справа коррелирует ($r=0.68$ и $r=0.33$) с расстоянием соответствующих внутренних отверстий до линии назион-инион. В таблице 1 обобщены проведенные измерения.

Таблица 1.– Сводная таблица полученных результатов

	Слева		Справа	
	Наружное теменное отверстие	Внутреннее теменное отверстие	Наружное теменное отверстие	Внутреннее теменное отверстие
Диаметр теменного отверстия, мм	1,425 (0.582-6.2, q1 = 1.02, q3 = 2.07)	1,3 (0.783 - 2.501, q1 = 1.01, q3 = 1.66)	1,455 (0.515-3.72, q1 = 1.04, q3 = 1.98)	1,15 (0.577-2.95, q1 = 0.965, q3 = 1.5)

Расстояние теменного отверстия от срединной линии, мм	8,4±3,19	6,52±3,12	7.35±2.64	5.77±2.99
Расстояние теменного отверстия от назион, мм	221.6±13,27	219,82±13,01	222.93±14.79	220.09±14.49

По отношению к верхнему сагиттальному синусу внутреннее теменное отверстие слева в 23 случаях из 49 располагалось над ним, на удалении в 26 случаях, медиана расстояния до края синуса от внутреннего теменного отверстия слева составила 3.13 (0.733-8.24 q1 – 2.07, q3 – 5,87) мм. Справа прямо над синусом внутреннее теменное отверстие расположено в 32 случаях из 57, на удалении – в 25 случаях. Медиана расстояния до края синуса внутреннего теменного отверстия справа составила 4.18 (0.5-12.0, q1 – 2.26, q3 – 5.39) мм. Расстояние от линии назион-инион наружного теменного отверстия достоверно ($p < 0.02$) взаимосвязано с положением внутреннего отверстия относительно верхнего сагиттального синуса.

Наиболее частым положением канала теменного выпускника, соединяющего наружное и внутреннее теменное отверстие, в сагиттальной плоскости является восходящее (внутреннее отверстие расположено ближе к назион, чем наружное) и встречается слева в 29 случаях (59.2%), справа в 45 случаях (78.9%). Наиболее частым типом в аксиальной плоскости является медиальный тип (внутреннее отверстие расположено ближе к средней линии, чем наружное) и выявлено в 35 случаях (71.3%) слева и в 37 случаях (64.9%) справа. Наиболее частое сочетание – медиальный-восходящий тип, который составляет 21 случай слева (42.8%) и 29 случаев (50.9%) справа.

Выводы. Работ, детально описывающих клиническую анатомию теменного отверстия в современной литературе, нет. Анатомические структуры, терминологически определяемые нами как «внутреннее теменное отверстие», «наружное теменное

отверстие» и «канал теменного выпускника», способствуют лучшему пониманию топографии проходящей через него эмиссарной вены. Полученные нами сведения о ходе канала выпускника, о положении наружного и внутреннего теменного отверстия, а также об их взаимоотношении с верхним сагиттальным синусом позволят минимизировать риск повреждения во время хирургического вмешательства как эмиссарной вены, так и верхнего сагиттального синуса, так как, согласно результатам нашей работы, наружное теменное отверстие – надежный ориентир для его интраоперационной локализации.

Литература

1. Murlimanju B. V. Morphology and topography of the parietal emissary foramina in South Indians: an anatomical study / B.V. Murlimanju, M.S. Saralaya, V.V. Somesh, L.V. Prabhu, A. Krishnamurthy, G.K. Chettiar// Anat Cell Biol. – 2015. №48. – P.292-299.
2. Boyd G.I. The emissary foramina of the cranium in man and the anthropoids /G.I. Boyd// J Anat – 1930 №65 – 108-112.
3. Nagashima M. Three-dimensional imaging and osteometry of adult human skulls using helical computed tomography / M. Nagashima, K. Inoue, T. Sasaki, K. Miyasaka, G. Matsumura, G. Kodama// Surgical and Radiologic Anatomy. – 1998. №20(4) –P.291-297.
4. Shantharam V. Anatomical Study of Parietal Emissary Foramina in Human Skulls /V. Shantharam, K. Manjunath// International Journal of Anatomy, Radiology and Surgery. – 2018. №7(1) – P.11-14
5. Yoshioka N. Scalp to meningeal arterial anastomosis in the parietal foramen. / N. Yoshioka, Al.Jr. Rhotonr, H. Abe // Neurosurgery – 2006. №58(1)– P.123-126.

Summary

STUDY OF THE CLINICAL ANATOMY OF PARIETAL FORAMEN USING THE METHOD OF DIGITAL CRANIOMETRY

Tatur A.A., Denisov S.D.

*Belorussian State Medical University, Minsk
ratuat@gmail.com*

In this work we proposed a new view in describing parietal foramens using a method of digital craniometry. First time in literature we have made a description of topography of parietal foramens with a method, that could be implemented in a clinical work.

РАСПРОСТРАНЕННОСТЬ ФАКТОРОВ РИСКА У ПАЦИЕНТОВ С НЕТРАВМАТИЧЕСКИМ ВНУТРИМОЗГОВЫМ КРОВОИЗЛИЯНИЕМ

Тименова С. В.

*УО «Гродненский государственный медицинский университет»,
Гродно, Беларусь
tsimenava@gmail.com*

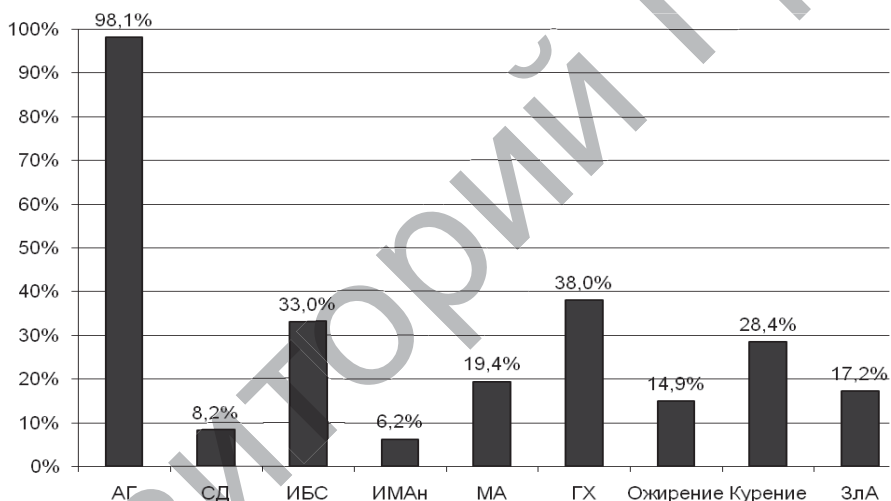
Введение. Мозговой инсульт – одна из ведущих причин смертности и инвалидности во всем мире. Нетравматическое внутримозговое кровоизлияние (ВМК) – менее частый, но наиболее тяжелый тип инсульта, который характеризуется самыми высокими показателями заболеваемости и летальности. [1]. Детальный анализ проблемы последствий ВМК и других цереброваскулярных заболеваний, повышение эффективности мероприятий по их снижению требуют проведения эпидемиологических исследований, в том числе изучения распространенности факторов риска.

Цель исследования – установить распространенность факторов риска при ВМК.

Материал и методы. Каждый случай заболевания фиксировался с присвоением специального номера и внесением информации в компьютерную базу данных, содержащую основные сведения о пациенте, исходе ВМК, месте лечения, наличии основных факторов риска. Пациента включали в регистр, если его состояние соответствовало диагностическим критериям ВМК, он постоянно проживал в г. Гродно и был в возрасте от 15 лет и старше. Критерии исключения: травматический генез ВМК; геморрагическая трансформация инфаркта мозга (как причина накопления крови в ткани головного мозга); аневризматическое субарахноидальное кровоизлияние с формированием внутримозговой гематомы; вторичное ВМК при заболеваниях крови; вторичное ВМК вследствие новообразования головного мозга. Для полного выявления всех случаев ВМК использовался принцип множественных перекрывающихся источников информации: данные стационаров, поликлиник, патологоанатомического бюро, судебно-медицинской экспертизы. Учитывали следующие факторы риска ВМК: артериальная гипертензия (АГ), сахарный диабет, ишемическая болезнь сердца

(ИБС), перенесенный инфаркт миокарда, мерцательная аритмия, гиперхолестеринемия, ожирение, текущее курение, злоупотребление алкоголем. При обработке данных использовался пакет прикладных статистических программ STATISTICA, версия 10.0.

Результаты исследований. Анализ распространенности факторов риска показал, что АГ (первичного или вторичного генеза) регистрировалась в 98,1% случаев ВМК, сахарный диабет – в 8,2% случаев (в т. ч. 7 случаев II типа), ИБС (без учета перенесших инфаркт миокарда) – в 33,0% случаев, инфаркт миокарда в анамнезе – в 6,2% случаев, мерцательная аритмия – в 19,4% случаев, гиперхолестеринемия – в 38,0% случаев, ожирение – в 14,9% случаев, текущее курение – в 28,4% случаев, злоупотребление алкоголем – в 17,2% случаев (рис. 1).



АГ – артериальная гипертензия; СД – сахарный диабет; ИМАН – инфаркт миокарда в анамнезе; МА – мерцательная аритмия; ГХ – гиперхолестеринемия; ЗЛА – злоупотребление алкоголем

Рисунок 1. – Распространенность факторов риска у пациентов с ВМК, включенных в регистр

Анализ основных факторов риска развития сердечно-сосудистых заболеваний у пациентов с ВМК показал, что наиболее распространенными являются АГ и возраст. Наличие АГ в 98,1% случаев ВМК свидетельствует о необходимости ее активного выявления, диспансерного наблюдения, контроля и систематического адекватного медикаментозного лечения для профилактики развития ВМК. Сахарный диабет, как и АГ, приводит к артериолопатии, однако в ранее опубликованных

работах не была установлена его значимость как фактора риска ВМК [2].

Обращает на себя внимание достаточно высокая распространенность кардиальных факторов риска у пациентов с ВМК: удельный вес пациентов с ИБС и перенесенным инфарктом миокарда достигал 39,2%, у 19,4% пациентов отмечалась мерцательная аритмия. Указанные факты, вероятно, демонстрируют определенную общность патогенеза цереброваскулярной патологии.

В ряде проведенных ранее исследований не установлена прямая или обратная ассоциация между высоким уровнем общего холестерина крови и риском ВМК [2]. Высказано предположение, что при низком уровне холестерина отмечается слабость эндотелия, что приводит к хрупкости артериол и кровоизлиянию. Однако в нашем исследовании низкие уровни общего холестерина (<3,2 ммоль/л) отмечались только у 3 из числа обследованных пациентов (71 чел.). Ожирение как фактор риска ВМК имеет, по данным литературы, опосредованный механизм действия (через АГ и сахарный диабет). Распространенность ожирения у пациентов в нашем исследовании (14,9%) была сопоставимой с данными других авторов.

Удельный вес пациентов в исследованной когорте, которые были курильщиками на момент возникновения ВМК, является значительным (28,4%) и достоверно превышает соответствующий показатель в ряде зарубежных исследований. Литературные данные последовательно показывают связь курения и ВМК, при этом отмечается дозозависимый эффект. Т. Kurth и соавт. [3] путем сравнительного учета количества выкуриваемых сигарет до ВМК (менее 20/20 и более в день) выявили статистически достоверную связь курения и риска ВМК.

В большинстве проведенных исследований доказано, что злоупотребление алкоголем является фактором риска ВМК [2, 4]. Предполагаемыми механизмами его реализации являются дисфункция тромбоцитов и нарушения коагуляции, а также повреждение эндотелия. Распространенность указанного фактора риска среди жителей г. Гродно, перенесших ВМК в 2011 г., в 1,6 раза превышала таковую в госпитальном регистре Университета Цинциннати (США, 10,6%, $p > 0,05$) и была сходной с данными

популяционного регистра Безансона (Франция, 18,0%), хотя в указанных исследованиях использовалось более широкое определение данного фактора (употребление более 30 г абсолютного алкоголя в день).

Выводы. Таким образом, высокая распространенность факторов риска у пациентов с ВМК в г. Гродно свидетельствует о необходимости активного проведения мероприятий по первичной и вторичной профилактике ВМК, а также указывает важнейшие направления такой профилактики.

Литература

1. Incidence, case fatality, and functional outcome of intracerebral haemorrhage according over time, according to age, sex and ethnic origin: a systematic review and meta-analysis / C. van Asch [et al.] // *Lancet Neurol.* – 2010. – Vol. 9. – P. 167–176.
2. Risk factors for intracerebral hemorrhage in the general population: a systematic review / M.J. Ariesen [et al.] // *Stroke.* – 2003. – Vol. 34. – P. 2060–2065.
3. Smoking and the risk of hemorrhagic stroke in men / T. Kurth [et al.] // *Stroke.* – 2003. – Vol. 34. – P. 1151–1155.
4. Heavy alcohol intake and intracerebral hemorrhage: characteristics and effect on outcome / B. Casolla [et al.] // *Neurology.* – 2012. – Vol. 79. – P. 1109–1115.

Summary

PREVALENCE OF RISK FACTORS IN PATIENTS WITH NON-TRAUMATIC INTRACEREBRAL HEMORRHAGE

Tsimenava S. V.

Grodno State Medical University

The purpose of this study was to estimate the prevalence of risk factors in patients non-traumatic intracerebral hemorrhage. Risk factors for intracerebral hemorrhage appeared to be hypertension, age, diabetes, atrial fibrillation, hypercholesterolemia, current smoking, and high alcohol intake.

МИНИМАЛЬНО-ИНВАЗИВНЫЙ КОМБИНИРОВАННЫЙ КОСТНО-ПЛАСТИЧЕСКИЙ МЕТОД ЛЕЧЕНИЯ КОСТНЫХ КИСТ

Хотим О. А.

*Гродненский государственный медицинский университет, Гродно,
Беларусь
olgasergey89@gmail.com*

Введение. Костная киста – это псевдокиста, остеолитическое образование, возникающее преимущественно в детском возрасте. Костные кисты занимают 3 место среди всех первичных костных образований. Клинические проявления костной кисты зависят от локализации, стадии патологического процесса, формы и величины кисты, степени разрушения кости. Основным методом диагностики костных кист является рентгенологический. Показания для хирургического лечения костных кист – размер кисты (более 2/3 поперечника кости), локализация в нагружаемой области, высокий риск патологического перелома, выраженный продолжающийся болевой синдром [1].

Цель исследования. Оценка эффективности разработанного на базе учреждения здравоохранения «Гродненская областная детская клиническая больница» минимально инвазивного комбинированного метода лечения костных кист у детей.

Материал и методы. Были проанализированы результаты лечения 6 пациентов с диагнозом «костная киста», прооперированных в соответствии с разработанным методом в период с января по сентябрь 2018 г. в ортопедо-травматологическом отделении для детей учреждения здравоохранения «Гродненская областная детская клиническая больница». Методы исследования: сбор анамнеза, клиническое обследование, лабораторные (общий анализ крови и мочи, биохимический анализ крови, коагулограмма, группа крови и резус-фактор, цитологическое исследование содержимого костной кисты) и инструментальные (рентгенография пораженного сегмента в 2-х проекциях, компьютерная томография) методы исследования.

Результаты исследований. Обследованы и прооперированы 6 пациентов в возрасте от 3 до 17 лет, 1 – мужского, 5 – женского

пола. Костная киста локализовалась в проксимальном отделе плечевой кости в 3 случаях, в дистальном отделе левой большеберцовой кости – в 1, в правой пяточной кости – в 1, в правом надколеннике – в 1 случае. При поступлении жалобы на болевой синдром в области образования предъявляли 3 (50%) пациента. У детей с костной кистой, локализующейся в области плечевой и большеберцовой кости, в анамнезе имелся патологический перелом. У всех пациентов лабораторные показатели были в пределах возрастной нормы.

Под контролем электронно-оптического преобразователя (ЭОП) проводили пункцию костной кисты иглой. Затем, присоединив к игле шприц, аспирировали содержимое кистозной полости кости, характер которого оценивали визуально и лабораторно (цитологическое исследование с целью верификации диагноза). Под контролем ЭОПа устанавливали дополнительную иглу в полость костной кисты. Через иглы проводили промывание полости аминокaproновой кислотой с гемостатической целью с последующей полной эвакуацией жидкостного содержимого кисты.

Через одну из игл (наличие более чем 1 иглы является обязательным критерием, так как при воздействии высокоинтенсивного лазерного излучения происходит дымо- и парообразование) вводили световод диодного лазера и коагулировали внутреннюю выстилку костной кисты высокоинтенсивным лазерным излучением длиной волны 0,97 мкм, мощностью 20 Вт, в непрерывном режиме излучения, в несколько этапов. После коагуляции внутренней выстилки под контролем ЭОПа перфорировали стенку кисты троакарном диаметром 5,5 мм. Проводили заполнение костной полости смесью, состоящей из измельченной губчатой аллогенной кости и аутогенного костного мозга через тубус диаметром 5,5 мм либо через воронку с соответствующим внутренним диаметром рабочей части (в зависимости от локализации кисты). Степень заполнения полости кисты оценивали ЭОПом.

В послеоперационном периоде пациентам была рекомендована иммобилизация пораженного сегмента в подкладочной гипсовой повязке в течение 4 недель [2].

Через 3 месяца после оперативного лечения выполнялись контрольные рентгенограммы, у 5 из 6 детей отмечено устранение костной полости и ремоделирование костной ткани.

Выводы. Комбинированный метод лечения костных кист с применением высокоинтенсивного лазерного излучения и костной пластики является минимально инвазивным, малотравматичным, высокоэффективным. Представленный метод позволяет создать благоприятные условия для ремоделирования костной ткани и полного закрытия полости в кратчайший срок. При воздействии высокоинтенсивным лазерным излучением достигается равномерная деструкция внутренней выстилки костной кисты, которая является полупроницаемой мембраной и основным источником поступления жидкости, а излучение с длиной волны 0,97 мкм проникает в мягкие ткани на глубину не более 2-3 мм, что соответствует высоте клеточной выстилки костной кисты у детей. Дополнительное преимущество использования диодного лазера – стимулирующее воздействие на репаративно-регенераторную функцию костной ткани [3, 4]. Заполнение полости костным трансплантатом, являющимся остеокондуктором, и аутогенным костным мозгом, выступающим в качестве остеоиндуктора.

Литература

1. Canale, S. T. Campbell's operative orthopedics / S. T. Canale, J. H. Beaty; ed. K. Daugherty. – 12th edition. – Philadelphia: Elsevier Mosby, 2013. – 4637 p.
2. Инструкция по применению «Комбинированный метод хирургического лечения костных кист с использованием высокоинтенсивного лазерного излучения и костной пластики» утв. Мин-вом здравоохранения Респ. Беларусь 30.11.18 № 112 –1018. – Гродно : ГрГМУ, 2018. – 9 с.
3. Серебряков, В. А. Опорный конспект лекций по курсу «Лазерные технологии в медицине» / В. А. Серебряков. – Санкт-Петербург: СПбГУ ИТМО, 2009. – 266 с.
4. Шахно, Е. А. Физические основы применения лазеров в медицине: учеб пособие / Е. А. Шахно. – Санкт-Петербург: НИУ ИТМО, 2012. – 129 с.

Summary

**MINIMALY INVASIVE COMBINED BONE-GRAFTING
METHOD OF TREATMENT BONE CYSTS**

*Grodno State Medical University, Grodno
olgasergey89@gmail.com*

Combined method of treatment bone cysts is high effective. Destruction of inner cyst`s membrane, crashed allogenic bone graft which is osteoconductor, bone marrow which is osteoinductor, X-ray intraoperative control contribute to this good result.

**ЭКСПЕРИМЕНТАЛЬНЫЙ МЕТОД ЛЕЧЕНИЯ
ТЕРМИЧЕСКИХ ОЖОГОВ КОЖНЫХ ПОКРОВОВ**

Часнойть А. Ч.

*ГУО «Белорусская медицинская академия последипломного
образования», Минск Беларусь
Dr.chasnoits@gmail.com*

Введение. Ожоговый травматизм является важной медико-социальной проблемой. Несмотря на достижения современной медицины, ожоговая травма остается существенной проблемой медицинского и экономического характера. Во всем мире ежегодно около 6 миллионов пациентов с ожоговой травмой обращаются за медицинской помощью, большую часть из них лечатся амбулаторно.

В Республике Беларусь за медицинской помощью ежегодно обращается около 30000 человек с термической травмой, среди которых более 15% составляют дети. Около 6000 человек из них проходят стационарное лечение в специализированных ожоговых отделениях. По разным данным сразу после выписки из стационара инвалидами признают 6–9% больных от общего числа лечившихся (более 80% инвалидов составляют лица трудоспособного возраста).

В связи с успехами в области клеточных технологий и началом их применения в клинической практике получило активное развитие новое направление в медицине – клеточная трансплантация. Среди наиболее перспективных и успешных областей использования культивированных клеток можно особо выделить лечение повреждений кожи посредством дермальных

фибробластов и кератиноцитов, которые, благодаря своей эффективности прочно заняли определенную нишу.

Цель исследования. Разработка экспериментального метода лечения с использованием тканевого эквивалента на основе культивированных клеток кожи, иммобилизованных на биodeградируемом носителе, а также изучение влияния аутологичного/аллогенного тканевого эквивалента на характер и сроки заживления ожоговых ран у лабораторных животных и пациентов с ожогами кожных покровов ШАБ-IV ст.

Материалы и методы. До постановки основного эксперимента был проведен острый опыт (10 крыс) – отработана модель термического контактного полнослойного и мозаичного ожога кожи лабораторного животного с последующим забором участка обожженной поверхности для морфологического исследования с целью уточнения глубины поражения тканей.

Моделирование ожоговой раны основано на использовании устройства, состоящего из нагревательного элемента, состоящего из рукоятки и круглых медных пластин заданной площади диаметром 5 см и толщиной 2 см (цельная – для моделирования полнослойного сплошного ожога и перфорированная – для мозаичного ожога), к нагревательному элементу через ручку посредством провода подсоединен регулятор напряжения, к наконечнику присоединена термопара, на втором конце соединенная с цифровым мультиметром для регистрации температуры на поверхности наконечника, на конце к которому будут присоединены цельная (для моделирования сплошного глубокого ожога) или перфорированная (для моделирования мозаичного ожога) пластины.

Экспериментальным животным производился забор кожных покровов для культивирования клеток кожи, иммобилизованных на биodeградируемом носителе. В последующем раневой дефект ушивался 1-2 одиночными узловыми швами 4/0 Карален.

Работа с культурами клеток проводилась в Институте биофизики и клеточной инженерии НАН Беларуси в асептических условиях в ламинарном боксе.

Разработана тканеинженерная конструкция – тканевой эквивалент кожи, имитирующий слои кожи и состоящий из культивированных клеток – взвесь кератиноцитов и фибробластов в

1% коллагеновом растворе геля «КОЛЛОСТ» (производство ЗАО «БиоФАРМАХОЛДИНГ», РФ) иммобилизованная на покрытии раневом с нановолокнами хитозана «ХИТОМЕД-РАНО-ЗАЖИВЛЯЮЩЕЕ» стерильное (производство ОАО «Завод горного воска», Республика Беларусь).

Разработаны критерии оценки регенерации кожи, смоделированы полнослойные и мозаичные ожоговые травмы с самостоятельным заживлением – контрольная группа, и проведением аутологичной/аллогенной трансплантацией тканевого эквивалента кожи – 1 и 2 основные группы; выполнены морфологические исследования биоптатов ран в различные сроки наблюдения.

Результаты исследований. В результате эксперимента был сформирован термический сплошной и мозаичный ожоги ШАБ-IV степени с поражением эпидермиса, сосочкового и большей части сетчатого слоя дермы (коагуляционный некроз) в случае мозаичного ожога и с тотальным поражением на всю глубину кожи с поражением подкожно-жировой клетчатки в случае сплошного термического ожога. Заживление происходило путем краевой эпителизации, формирования росткового слоя эпидермиса за счет пролиферирующих эпителиоидных клеток дермы и грануляционной ткани в случае сплошного глубокого ожога и краевой и островковой эпителизации в случае мозаичного.

Критериями оценки скорости и полноты регенерации служили следующие морфологические критерии: формирование демаркационного лейкоцитарного вала, отторжение струпа, полнота эпителизации ожоговой поверхности, степень зрелости грануляционной и фиброзной ткани, очаги нерезорбированного некроза, очаги сегментоядерной лейкоцитарной инфильтрации в дерме.

Наибольшая скорость и полнота регенерации наблюдалась в группах с трансплантацией ТЭК. Достоверных отличий между группами с аутологичной и аллогенной трансплантацией ТЭК по срокам и качеству заживления не наблюдалось. Так в группе животных с мозаичными ожогами кожных покровов и происходила на 42 сутки после трансплантации ТЭК (25%-75% процентиля = 42-44, min-max = 40-51), что достоверно быстрее на 5 суток (критерий Wilcoxon, $p=0,013$) по сравнению с группой животных, у которых

моделировался тотальный сплошной глубокий ожог с последующей фасциальной некрэктомией и трансплантацией ТЭК на 47 сутки (25%-75% процентиля = 45,5-51,5, min-max = 42-61). Скорость эпителизации в контрольной группе у животных с мозаичными ожогами наступала на 69 сутки (25%-75% процентиля = 74-81, min-max = 64-97), что достоверно быстрее на 9 суток по сравнению с животными контрольной группы у которых моделировался сплошной глубокий ожог и эпителизация наступала на 78 сутки (25%-75% процентиля = 74-81, min-max = 64-97).

Выводы. Разработанный экспериментальный новый метод лечения ожогов кожных покровов, на основе культивированных аутологичных и аллогенных кератиноцитов и фибробластов кожи иммобилизованных на биodeградируемом носителе, позволил улучшить качество и скорость заживления ожоговых ран у лабораторных животных. Доказанная эффективность позволяет говорить о дальнейшем успешном внедрении разработанного метода в лечении пациентов с ожогами кожных покровов и их последствиями.

Литература

1. Кошельков Я.Я. Избранные лекции по «Комбустиологии и криопатологии» - Учебно-мет. пособие – БелМАПО - 2012, - 124 с.
2. Shridharani, S. A systematic review of acellular dermal matrices in head and neck reconstruction / S. Shridharani, A. Tufaro // *Plast. reconstr. surg.* –2012. – Vol. 130, Suppl. 2. – S. 35–43.

Summary

EXPERIMENTAL METHOD OF SKIN BURNS TREATMENT

Chasnoits A.Ch.

Belarusian Medical Academy of Postgraduate Education

Dr.chasnoits@gmail.com

An experimental method of skin burns treatment based on cultured autologous and allogeneic keratinocytes and skin fibroblasts immobilized on a biodegradable carrier has been developed, which has improved the quality and speed of healing of burn wounds in laboratory animals.

СРОДСТВО ГЕМОГЛОБИНА К КИСЛОРОДУ ПРИ ТУБЕРКУЛЕЗЕ ЛЕГКИХ И ЕГО ДИНАМИКА ПРИ КОМПЛЕКСНОМ ЛЕЧЕНИИ

Шейфер Ю. А.

*Гродненский государственный медицинский университет, Гродно,
Беларусь
jura-med@mail.ru*

Введение. Проблема лечения туберкулеза легких (ТБЛ), особенно лекарственно-устойчивых форм, продолжает оставаться наиболее актуальной в современной фтизиатрии для всего мирового сообщества, показатели излечения не превышают 65% [1].

Цель исследования. Установить особенности сродства гемоглобина к кислороду при ТБЛ и его динамики на фоне комплексного лечения данной патологии.

Материал и методы. Обследованы 120 пациентов с разными формами ТБЛ. Основную группу составили пациенты с деструктивным ТБЛ (n=54), группу контроля – пациенты без деструкции легочной ткани. Группа сравнения 23 – здоровых человека. В связи с отсутствием динамики деструктивных изменений в легких на фоне стандартной ХТ 26-ти пациентам лечение дополнили искусственным пневмотораксом (ИП). ИП применяли после 3-4-го курса ХТ при достижении частичного или полного рассасывания очагово-инфильтративных изменений или очагов диссеминации, а полость распада сохранялась. Курс коллапсотерапии составлял 4-6 месяцев.

В первые 10 дней после поступления пациента в стационар из локтевой вены на фоне восстановленного оттока забирали 10 мл крови в предварительно охлажденный и гепаринизированный шприц. Для предотвращения контакта крови с воздухом обеспечивали анаэробные условия. Затем проводили оценку КТФ крови. Оценка КТФ крови вели с помощью микрогазоанализатора «Synthesis-15» фирмы «Instrumentation Laboratory» (США) с определением следующих параметров: pO_2 , pCO_2 , pH, насыщения крови кислородом (SO_2), кислородной емкости крови (КЕК) при температуре 37°C. Сродство гемоглобина к кислороду оценивали по показателю $p50$ (pO_2 , соответствующее 50% насыщению

гемоглобина кислородом), определяемому спектрофотометрическим методом при температуре 37°C , $\text{pH}=7,4$ $\text{pCO}_2=40$ мм рт. ст. ($\text{p50}_{\text{станд}}$). Затем рассчитывали p50 при реальных значениях pH , pCO_2 и температуры ($\text{p50}_{\text{реал}}$) по формулам J. W. Severinghaus. На основании полученных данных по уравнению Хилла определяли положение кривой диссоциации оксигемоглобина (КДО)[2]. Показатели КТФ крови оценивали до наложения ИП и после (через 2 месяца). Статистическая обработка полученных результатов проводилась с использованием пакета обработки данных Statisticafor Windows, версия 10.0, и офисного приложения Excel.

Результаты. В сравнении с группой здоровых лиц при ТБЛ отмечается снижение концентрации гемоглобина на 16,0% ($\text{p}<0,05$). В большей степени это выражено при распространенном процессе (на 20,7%, $\text{p}<0,05$), чем при ограниченном – на 11,0% ($\text{p}<0,05$). При наличии полости распада – деструкции в легочной ткани – концентрация гемоглобина снижается на 19,0% ($\text{p}<0,05$), в то время как без таковой – на 12,8% ($\text{p}<0,05$). Наблюдается снижение КЕК при ТБ легких по отношению к здоровым на 18,4% ($\text{p}<0,05$). При распространенном процессе отмечается уменьшение этого показателя на 25,2% ($\text{p}<0,05$) в сравнении с ограниченным процессом – ниже на 9,4% ($\text{p}<0,05$). При наличии деструкции в легочной ткани снижение КЕК более выражено (на 24,3%, $\text{p}<0,05$), чем без деструкции – на 16,5% ($\text{p}<0,05$). Снижение КЕК более выражено у повторно леченых пациентов – на 21,4% ($\text{p}<0,05$), чем у впервые выявленных – на 18,0% ($\text{p}<0,05$). Более выражено снижение КЕК при наличии бактериовыделения – на 20,4% ($\text{p}<0,05$), чем у пациентов с МБТ минус – на 13,1% ($\text{p}>0,05$), соответственно, при МЛУ МБТ – на 21,4% ($\text{p}<0,05$), и при ее отсутствии – на 17,0% ($\text{p}<0,05$). Величина SO_2 при распространенном ТБЛ на 23,2% ($\text{p}<0,05$) меньше, чем у здоровых лиц, а при ограниченном – на 10,7% ($\text{p}>0,05$). Различие между распространенным и ограниченным процессом по данному критерию достоверно. При наличии деструкции в легких происходит снижение SO_2 на 16,1% ($\text{p}<0,05$), а при ее отсутствии – на 12,0% ($\text{p}<0,05$). SO_2 у впервые выявленных пациентов снижается на 14,3% ($\text{p}<0,05$), у повторно леченых – на 14,0% ($\text{p}<0,05$). Изменения SO_2 у бактериовыделителей (снижение на 15,82%, $\text{p}<0,05$) и, соответственно, при наличии множественной

лекарственной устойчивости микобактерий туберкулеза (МЛУ МБТ) (снижение на 16,3%, $p < 0,05$) более выражены, чем у пациентов с МБТ минус (снижение на 5,4%, $p > 0,05$) и отсутствием МЛУ МБТ (снижение на 13,8%, $p > 0,05$). При туберкулезном процессе в легких pO_2 снижается на 5,0% ($p > 0,05$) и более выражено при распространенном процессе – на 8,3% ($p < 0,05$), но достоверных различий между распространенным и ограниченным процессом по данному показателю не выявлено. Важный параметр КТФ крови – СГК. При ТБЛ отмечается увеличение $p50_{\text{реал}}$ на 7,8% ($p < 0,05$). При ограниченном ТБ он возрастает на 4,9% ($p > 0,05$), при распространенном – на 14,6% ($p < 0,05$), наблюдается достоверное различие между распространенным и ограниченным процессом по данному параметру. При наличии полости распада в легких увеличение $p50_{\text{реал}}$ происходит на 13,1% ($p < 0,05$), а при ее отсутствии – на 6,0% ($p > 0,05$). Между пациентами с деструкцией и без таковой по этому показателю есть достоверные различия. При бактериовыделении и МЛУ МБТ увеличение $p50_{\text{реал}}$ составляет 10,5% ($p < 0,05$) и 9,9% ($p < 0,05$), соответственно. При МБТ минус и отсутствии МЛУ МБТ увеличение $p50_{\text{реал}}$ составляет 6,3% ($p > 0,05$) и 7,1% ($p < 0,05$), соответственно. У повторно леченых пациентов увеличение $p50_{\text{реал}}$ отмечается на 11,2% ($p < 0,05$), у впервые выявленных – на 6,7% ($p < 0,05$). Наблюдается сдвиг кривой диссоциации оксигемоглобина (КДО) вправо, что способствует экстракции кислорода из крови в ткань. Наиболее выраженные изменения $p50_{\text{станд}}$ по сравнению со здоровыми имеются при распространенном туберкулезном процессе – увеличение на 9,6% ($p < 0,05$), и превышает изменения при ограниченном на 8,8% ($p < 0,05$). Увеличение $p50_{\text{станд}}$ при деструкции в легочной ткани происходит на 6,6% ($p < 0,05$) и по сравнению с процессом без деструкции выше на 6,6% ($p < 0,05$). При наличии и отсутствии бактериовыделения, а также характера лекарственной чувствительности достоверных различий по данному показателю не выявлено.

Применение ИП в сроки до 6 месяцев при лечении деструктивного ТБЛ позволило достигнуть абациллирования в 88,46% случаев и закрытия полостей распада – в 84,62%.

В условиях комплексного лечения отмечается повышение концентрации гемоглобина на 5,8% ($p < 0,05$), более выраженное при

инфильтративном ТБ – на 5,9% ($p < 0,05$). При этом наблюдается рост КЕК крови. Ее прирост составляет 4,7% ($p < 0,05$), более выраженный рост этого показателя отмечается при инфильтративном ТБ – на 15,9% ($p < 0,05$). Величина SO_2 при этом увеличивается на 12,5% ($p < 0,05$), при кавернозном ТБ – на 20,4% ($p < 0,05$), при инфильтративном – на 6,3% ($p < 0,05$). Отмечается повышение pO_2 при ИП на 15,2% ($p < 0,05$), и если при кавернозном ТБЛ – на 2,0% ($p > 0,05$), то при инфильтративном – на 26,1% ($p < 0,05$). При использовании данного метода в лечении деструктивных форм ТБЛ выявлено уменьшение $p50_{\text{реал}}$ на 7,7% ($p < 0,05$), что свидетельствует о сдвиге кривой диссоциации оксигемоглобина влево. Уменьшение $p50_{\text{станд}}$ составляет 6,2% ($p < 0,05$). Существенных различий в ее сдвиге между исследуемыми формами ТБ легких на фоне ИП не выявлено.

Выводы. Положительный эффект комплексной терапии с применением коллапсотерапии реализуется через изменение сродства гемоглобина к кислороду.

Литература

1. The Global Landscape of Tuberculosis Therapeutics [Electronic resource] / J.A. Tornheim, K. E. Dooley // Annu Rev Med. – 2018. – Vol 7. – P. 4-7/ - doi: 10.1146/annurev-med-040717-051150.. Mode of access : <https://www.ncbi.nlm.nih.gov/pubmed/30403551>. – Date of access 30.11. 2018.

2. Severinghaus, J. W. Blood gas calculato // J. W. Severinghaus // J. Appl.Physiol. – 1966. – Vol. 21, № 5. – P. 108-116.

Summary

AFFINITY OF HEMOGLOBIN TO OXYGEN IN PULMONARY TUBERCULOSIS AND ITS DYNAMICS IN COMPLEX TREATMENT

Shafer Yu. A.

*Grodno State Medical University, Grodno
jura-med@mail.ru*

The features of the affinity of hemoglobin for oxygen in pulmonary tuberculosis and its dynamics against the background of the complex treatment of this pathology were studied. It has been established that the positive effect of complex therapy using collapsotherapy is realized through a change in the affinity of hemoglobin for oxygen.

ВЗАИМОСВЯЗЬ МЕЖДУ СОДЕРЖАНИЕМ КОРТИЗОЛА, КОЛЛАГЕНА IV ТИПА И ГЛИЦИНА В ПЛАЗМЕ КРОВИ ПАЦИЕНТОВ С ГАСТРОЭЗОФАГЕАЛЬНОЙ РЕФЛЮКСНОЙ БОЛЕЗНЬЮ И СИНДРОМОМ ОБСТРУКТИВНОГО АПНОЭ/ГИПОПНОЭ СНА

Шелкович Ю. Я., Шишко В. И.

Гродненский государственный медицинский университет,

Гродно, Беларусь

lazarilin@mail.ru

Введение. Гастроэзофагеальная рефлюксная болезнь (ГЭРБ) и синдром обструктивного апноэ/гипопноэ сна (СОАГС) все чаще рассматриваются в качестве коморбидных заболеваний. Тем не менее, патогенетические аспекты взаимодействия этих заболеваний остаются недостаточно изученными [1]. Установлено, что СОАГС ассоциирован с активацией гипоталамо-гипофизарно-надпочечниковой оси, что приводит к избыточному синтезу кортизола. Кортизол способствует усилению катаболических процессов в слизистой оболочке верхних отделов желудочно-кишечного тракта (ЖКТ) и может влиять на метаболизм коллагена, способствуя тем самым изменениям содержания в плазме аминокислот, входящих в состав коллагена [2]. Наиболее значимая из таких аминокислот – глицин, поскольку молекула коллагена на одну треть состоит из аминокислотных остатков глицина [3]. Таким образом, целесообразным представляется изучение взаимосвязи между уровнями кортизола, коллагена IV типа и глицина в плазме крови пациентов с ГЭРБ, ассоциированной с СОАГС.

Цель исследования – установить взаимосвязь между содержанием кортизола, коллагена IV типа и глицина в плазме крови пациентов с ГЭРБ и СОАГС.

Материал и методы. В исследование, которое проводилось на базе УЗ «Городская клиническая больница № 2 г. Гродно» были включены 143 пациента, медиана возраста составила 48 (42; 54) лет. Критерии включения в исследование: возраст от 30 до 60 лет, клиничко-инструментальные признаки ГЭРБ и/или СОАГС. Критерии невключения: хроническая ишемическая болезнь сердца выше II функционального класса стенокардии; недостаточность кровообращения выше IIIA; язва желудка и/или 12-перстной

кишки; медикаментозное поражение желудка и 12-перстной кишки; хронические заболевания и эндокринная патология в стадии декомпенсации, отказ пациента от участия в исследовании [1].

Всем пациентам выполнялась эзофагогастродуоденоскопия с биопсией нижней трети пищевода. Для выявления СОАГС осуществлялся респираторный мониторинг с использованием аппарата SOMNOcheck micro (Weinmann) с оценкой следующих показателей: индекс апноэ/гипопноэ (ИАГ), индекс десатурации, индекс автономной активации, связанной с респираторными событиями, средние и минимальные уровни насыщения крови кислородом за период сна [2]. Пациенты были разделены на группы: группа 1 – пациенты с ГЭРБ (n=35), группа 2 – с ГЭРБ и СОАГС (n=40), группа 3 – с СОАГС (n=38), группа 4 – группа сравнения (n=30). Уровень глицина в плазме крови оценивался с помощью высокоэффективной жидкостной хроматографии с использованием хроматографа Agilent 1200. Определение плазменных концентраций кортизола и коллагена IV типа осуществлялось методом иммуноферментного анализа в плазме крови 80 человек. Данные обрабатывались непараметрическими методами программы Statistica 10.0 для Windows (StatSoft, Inc., США).

Результаты. У пациентов с ГЭРБ и СОАГС наблюдались более высокие уровни кортизола и коллагена IV типа в плазме крови, низкий уровень глицина (табл. 1).

Таблица 1 – Содержание кортизола, коллагена IV типа и глицина в плазме крови пациентов с ГЭРБ и СОАГС

Показатель	Пациенты с ГЭРБ (n=35)	Пациенты с ГЭРБ и СОАГС (n=40)	Пациенты с СОАГС (n=38)	Группа сравнения (n=30)
Кортизол, нг/мл	159,06 (126,90; 204,13)	177,26 (128,32; 261,18)	179,45 (148,55; 210,08)	128,15 (102,91; 156,39)*#
Коллаген IV типа, нг/мл	4,54 (3,94; 6,22)	6,01 (4,85; 7,38)	4,41 (3,47; 5,32)	3,68 (2,98; 5,12)*
Глицин, мкмоль/л	304,72 (264,20; 351,49)	249,05 (217,80; 313,80)	295,30 (224,47; 369,34)	342,36 (295,40; 379,96)*

Примечания: * – статистически значимое отличие группы 2 от группы 4; # – статистически значимое отличие группы 3 от группы 4, $p < 0,05$

При проведении множественных сравнений между группами по критерию Краскела-Уоллиса было установлено, что пациенты групп 2 и 3 имеют более высокие уровни кортизола в плазме крови при сопоставлении с группой сравнения ($p_{2-4}=0,021$, $p_{3-4}=0,026$), что объясняется активацией гипоталамо-гипофизарно-надпочечниковой оси под воздействием интермиттирующей ночной гипоксемии [2].

У пациентов группы 2 отмечается статистически значимо более высокий уровень коллагена IV типа в отличие от группы сравнения ($p_{2-4}=0,001$). Вероятно, высокий уровень коллагена IV типа в плазме крови лиц с ГЭРБ и СОАГС обусловлен сохранением его третичной структуры при разрушении базальных мембран, основу которых он составляет [1].

Пациенты группы 2 характеризовались низким плазменным уровнем глицина при сопоставлении с группой сравнения ($p=0,007$), что может быть обусловлено возрастающей потребностью в данной аминокислоте и затратами на синтез коллаген в условиях его повышенного катаболизма.

Обнаружена положительная корреляционная взаимосвязь между уровнем кортизола и коллагена IV типа в плазме крови ($r=0,33$, $p<0,05$), выявлена отрицательная взаимосвязь между уровнем глицина и коллагена IV типа ($r=-0,38$, $p<0,05$).

Установлены корреляционные взаимосвязи между изучаемыми показателями и респираторными событиями: положительная корреляция между концентрацией кортизола в плазме крови и ИАГ ($r=0,3$, $p<0,05$), уровнем кортизола и индексом автономной активации (ИАА), связанной с респираторными событиями ($r=0,34$, $p<0,05$); положительная взаимосвязь между уровнем коллагена IV типа и ИАГ ($r=0,3$, $p<0,05$), ИАА, связанной с респираторными событиями ($r=0,3$, $p<0,05$); отрицательная корреляция между концентрацией глицина и ИАГ ($r=-0,22$, $p<0,05$).

Выводы. Для пациентов с ГЭРБ и СОАГС характерно повышение концентрации кортизола в крови, что ассоциировано с активацией гипоталамо-гипофизарно-надпочечниковой оси и подтверждается связью с респираторными событиями. Кроме того, у данной категории лиц наблюдается снижение уровня глицина и повышение уровня коллагена IV типа в плазме крови.

Литература

1. Шелкович, Ю. Я. Коллаген IV типа как биомаркер повреждения слизистой оболочки пищевода у пациентов с гастроэзофагеальной рефлюксной болезнью и синдромом обструктивного апноэ/гипопноэ сна / Ю. Я. Шелкович, В. И. Шишко, Я. А. Колодзейский // Журнал Гродненского государственного медицинского университета. – 2019. – Т. 17, № 2. – С. 159-163.

2. Шелкович, Ю. Я. Влияние синдрома обструктивного апноэ/гипопноэ сна на уровни провоспалительных и профибротических цитокинов у пациентов с гастроэзофагеальной рефлюксной болезнью / Ю. Я. Шелкович // Проблемы здоровья и экологии. – 2019. – Т. 60, № 2. – С. 64-70.

3. Солейко Е. В. Механизмы развития идиопатического пролапса митрального клапана: биохимические акценты / Е. В. Солейко, И. П. Осипенко, Л. П. Солейко // Журнал Гродненского государственного медицинского университета. – 2015. – Т. 51, № 3. – С. 36-39.

Summary

RELATIONSHIPS BETWEEN PLASMA LEVELS OF CORTISOL, COLLAGEN TYPE IV AND GLYCINE IN PATIENTS WITH GASTROESOPHAGEAL REFLUX DISEASE AND OBSTRUCTIVE APNEA/HYPOPNEA SYNDROME

Shaukovich Y.Y., Shyshko V.I.

*Grodno State Medical University, Grodno
lazarilin@mail.ru*

The presented article deals with relationships between plasma levels of cortisol, collagen type IV and glycine in patients with gastroesophageal reflux disease (GERD) and obstructive apnea/hypopnea syndrome (OSAHS). According to the results of study, patients with GERD and OSAHS have higher plasma levels of cortisol and collagen type IV, low level of glycine in contrast to comparison group.

КЛИНИКО-ЛАБОРАТОРНАЯ ХАРАКТЕРИСТИКА ПАЦИЕНТОВ ПОСЛЕ ПОЛУЧЕНИЯ ПРЕПАРАТОВ ПРЯМОГО ПРОТИВОВИРУСНОГО ДЕЙСТВИЯ ДЛЯ ЛЕЧЕНИЯ ХГС

*Хомбак О. А.¹, Матиевская Н. В.¹, Тарасевич А. М.¹,
Сказка А. Э.²*

¹УО «Гродненский государственный медицинский университет»,
г. Гродно

²УЗ «Гродненская областная инфекционная клиническая больница»,
г. Гродно
olya1989ty@gmail.com

Введение. Ежегодно в мире инфицируются ВГС 3-4 млн человек. Каждый год от связанных с хроническим гепатитом С (ХГС) болезней печени умирает примерно 350 000 пациентов. Широкое внедрение препаратов прямого противовирусного действия (ПППД), позволяющих достичь устойчивого вирусологического ответа (УВО) на терапию не менее чем у 95% пролеченных пациентов, позволяет ставить цели глобальной элиминации ВГС-инфекции [1]. Однако эрадикация ВГС не позволяет решить все проблемы ВГС-инфицированных пациентов, так как длительно протекающая хроническая ВГС-инфекция приводит к широкому спектру печеночной и экстрапеченочной патологии [2].

Цель исследования – представить клинико-лабораторную характеристику пациентов после получения противовирусной терапии ХГС ПППД.

Материал и методы. Проведен анализ клинико-лабораторных данных 95 пациентов с ВГС-инфекцией, находившихся на стационарном лечении в Гродненской инфекционной больнице в 2018-2019 гг. В зависимости от получения ПППД пациенты были распределены на 2 группы: 1-я группа – 46 пациентов, завершивших терапию ХГС ПППД; 2-я группа (группа сравнения) – 49 пациентов, не прошедших терапию ПППД. Все пациенты 1-й группы получали схему лечения софосбувир+даклатосвир+рибавирин, продолжительностью 12 недель – 35 (76,1%) пациентов, 24 недели – 11 (23,9%) пациентов. УВО через 24 недели после окончания терапии достигнут у 43

(93,5%) пациентов. Средний возраст пациентов в 1-й группе – 54,1 года, во 2-й группе – 41,8 года ($p < 0,05$). Распределение пациентов в группах по полу: в 1-й группе мужчин было 76,1% (35), женщин – 23,9% (11), во 2-й группе мужчин – 61,2% (30), женщин – 38,8% (19), $p > 0,05$. Средний «стаж» диагноза в 1-й группе – 11,9 года, во 2-й группе – 4,1 года, $p < 0,05$. Распределение по генотипам вируса гепатита С: в 1-й группе 1 генотип был у 20 (43,5%) пациентов, 3-й генотип – у 26 пациентов (56,5%); во 2-й группе 1 генотип был у 27 (55,1%) пациентов, 3 генотип – у 22 (44,9%), $p > 0,05$. Статистический анализ выполнялся с использованием пакета «Статистика», v 10.

Результаты. Ведущие жалобы пациентов в группах наблюдения представлены в таблице 1.

Таблица 1. – Жалобы пациентов в группах наблюдения

Жалобы пациента, n (%)	Группа 1, n =46	Группа 2, n=49
Не предъявляет	1 (2,2%)	4 (8,2%)
Тяжесть в правом подреберье	29 (63%)*	42 (85,7%)
Общая слабость	27 (58,7%)*	37 (75,5%)
Снижение аппетита	10 (21,7%)	12 (24,5%)

Примечание: * – $p < 0,05$, ч 2 test

Как видно из таблицы 1, несмотря на достижение УВО на ПППД, у 93,5% пациентов 1-й группы, большая часть из них предъявляла жалобы на тяжесть в правом подреберье, общую слабость, хотя частота данных жалоб была ниже, чем у пациентов 2-й группы ($p < 0,05$), что свидетельствует об улучшении самочувствия у пациентов после терапии ПППД.

Характеристика поражения печени у пациентов в группах наблюдения представлена в таблице 2.

Таблица 2. – Характеристика поражения печени у пациентов в группах

Показатель, n (%)	Группа 1, n=46	Группа 2, n=49
Гепатит низкой активности	43 (93,5%)	15 (30,6%)*
Гепатит умеренной активности	3 (6,5%)	25 (51%)*
Гепатит высокой активности	0	6 (12,3%)*
Цирроз печени	11 (23,9%)	1 (2%)*
Портальная гипертензия	9 (19,6%)	5 (10,2%)
Гепатоспленомегалия	10 (21,7%)	13 (26,5%)
Гепатомегалия	4 (8,7%)	4 (8,2%)
Спленомегалия	6 (13%)	3 (6,1%)

Примечание: * – $p < 0,05$, ч 2 test

Как видно из таблицы 2, в 1-й группе наиболее часто имел место ХГС минимальной активности, что связано с наличием биохимического ответа на ПППД у пациентов, достигших УВО. ХГС умеренной активности в 1-й группе встречался у 3 пациентов, не достигших УВО. Более высокая частота цирроза печени в 1-й группе пациентов связана с первоочередным назначением ПППД таким пациентам, поскольку эрадикация ВГС позволяет замедлить темпы прогрессирования цирроза печени [1].

Сопутствующая патология имела место у 40 (87%) пациентов в 1-й группе, 33 (67,3%) пациентов во 2-й группе, $p < 0,5$. Большая частота сопутствующей патологии в 1-й группе связана со старшим возрастом и более длительным «стажем» заболевания пациентов 1-й группы.

Структура и частота сопутствующей патологии в группах наблюдения представлена в таблице 3.

Таблица 3. – Сопутствующая патология в группах наблюдения

Сопутствующая патология, n (%)	Группа 1, n=46	Группа 2, n=49
Хронический панкреатит	18 (39,1%)	25 (51%)
ДЖВП	5 (10,9%)	11 (22,5%)
Хронический холецистит	10 (21,7%)	12 (24,5%)
Артериальная гипертензия	13 (28,3%)	9 (18,4%)
ИБС	11 (23,9%)*	4 (8,2%)
МКБ	2 (4,4%)	4 (8,2%)
Кисты почек	7 (15,2%)	7 (14,3%)
Хронический пиелонефрит	7 (15,2%)	4 (8,2%)
Ожирение	4 (8,7%)	6 (12,2%)
Сахарный диабет	0	8 (16,3%)*
ВИЧ-инфекция	2 (4,4%)	0

Примечание: * – $p < 0,05$, ч 2 test

Как видно из таблицы 3, наиболее частыми сопутствующими заболеваниями у пациентов 1-й группы были хронический панкреатит, хронический холецистит, артериальная гипертензия, ИБС. При этом в 1-й группе чаще отмечена ИБС, что связано с более старшим возрастом пациентов в данной группе.

При оценке общего анализа крови выявлены следующие изменения: лейкопения наблюдалась в 1-й группе у 9 (19,6%) пациентов, во 2-й группе – у 11 (20,4%) пациентов; анемия – в 1-й группе – у 3 (6,5%), во 2-й группе – у 7 (13%); тромбоцитопения в 1-й группе – у 15 (32,6%) пациентов, во 2-й группе – у 12 (22,2%). При оценке биохимического анализа крови гипербилирубинемия в 1-й группе наблюдалась у 11 (23,9%) пациентов, во 2-й группе – у 7 (14,3%); увеличение уровня АСТ в 1-й группе – у 14 (30,4%) пациентов, во 2-й группе – у 40 пациентов (81,6%), $p < 0,05$; увеличение уровня АЛТ в 1-й группе – у 14 (30,4%), во 2-й группе – у 42 (85,7%), $p < 0,05$.

Выводы. У пациентов с ХГС достижение УВО на ПППД ассоциируется с уменьшением клинико-лабораторных показателей

активности патологического процесса в печени, улучшением общего самочувствия. В то же время у 63% сохраняются «печеночные» жалобы, у 58,7% присутствует общая слабость, у 23,9% отмечен цирроз печени, у 19,6% пациентов отмечены признаки портальной гипертензии, у 87% – разная сопутствующая патология, что указывает на необходимость в дальнейшем наблюдения и лечения данных пациентов, несмотря на эрадикацию вируса гепатита С.

Литература:

1. European Association for the Study of the Liver. EASL Recommendations on Treatment of Hepatitis C 2018. *J Hepatol* (2018), <https://doi.org/10.1016/j.jhep.2018.03.026>.

2. Глобальный доклад по гепатиту, 2017 г. // <https://www.who.int/hepatitis/publications/global-hepatitis-report-2017-executive-summary/ru/>

Summary

CLINICAL AND LABORATORY CHARACTERISTICS OF PATIENTS AFTER RECEIVING DIRECT ANTIVIRAL DRUGS FOR TREATMENT OF CHC

Khombak V.¹, Matsiyenskaya N.¹, Tarasevich A.¹, Skazka A.²

¹Grodno State Medical University, Grodno, Belarus

*²Grodno Regional Clinical Hospital of Infectious Diseases, Grodno, Belarus
olya1989ty@gmail.com*

In patients with chronic hepatitis C, the achievement of a stable virologic response to direct antiviral drugs is associated with a decrease in clinical and laboratory indicators of the activity of the pathological process in the liver. At the same time, patients still have “hepar” complaints, signs of cirrhosis, portal hypertension, comorbidities which indicates the need for further monitoring of patients despite the eradication of hepatitis C virus.

СОДЕРЖАНИЕ

CHLORHEXIDINE SENSITIVITY OF MICROORGANISMS IN BIOFILMS	
Mohammad S. A., Sokolova T. N.	3
THE EFFECT OF FAZIKAR ON MICROORGANISMS IN BIOFILMS	
Murtadha shakir Dahham, Sokolova T.N.	6
THE EFFECT OF VANCOMYCIN ON MICROORGANISMS IN BIOFILMS	
Murtadha S. D., Sokolova T. N.	10
ВАЛЬГУСНАЯ ДЕФОРМАЦИЯ ПЕРВОГО ПАЛЬЦА СТОПЫ У ДЕТЕЙ	
Авкопашвили М. Д., Хотим О. А.	13
ДАННАЯ ПАТОЛОГИЯ ПОЛИЭТИОЛОГИЧНА И ВКЛЮЧАЕТ БИОМЕХАНИЧЕСКИЕ, МЕТАБОЛИЧЕСКИЕ И ТРАВМАТИЧЕСКИЕ ФАКТОРЫ	
Avkopashvili A. D., Hotim O. A.	16
КОРРЕЛЯЦИОННЫЕ ВЗАИМОСВЯЗИ ПРИ СУЛЕМОВОЙ НЕФРОПАТИИ У КРЫС, ПОЛУЧАВШИХ ТАУЦИН	
Басалай О. Н., Борисенок О. А., Бушма М. И.	16
СУБЪЕКТИВНЫЙ ТИННИТУС – МУЛЬТИДИСЦИПЛИНАРНАЯ ПРОБЛЕМА В СОВРЕМЕННОЙ ПРАКТИЧЕСКОЙ МЕДИЦИНЕ	
Бондарчук Ю. М.	20
ДИНАМИКА ГИСТОЛОГИЧЕСКИХ НАРУШЕНИЙ В КОРЕ ГОЛОВНОГО МОЗГА КРЫС ПРИ СУБТОТАЛЬНОЙ ЦЕРЕБРАЛЬНОЙ ИШЕМИИ	
Бонь Е. И, Валько Н. А, Кот В. Н.	23

ОСОБЕННОСТИ ЭФФЕКТИВНОСТИ ЛЕЧЕНИЯ ПАЦИЕНТОВ С
ВПЕРВЫЕ ДИАГНОСТИРОВАННЫМ ТУБЕРКУЛЕЗОМ
ЛЕГКИХ И САХАРНЫМ ДИАБЕТОМ 1-го ТИПА НА ФОНЕ
СТАНДАРТНОЙ ХИМИОТЕРАПИИ

Бутов Д. А., Мороз У. Ю., Синепол А. В. 27

АНАЛИЗ НАЗНАЧЕНИЙ АНТИБИОТИКОВ ПРИ ИНФЕКЦИЯХ
ДЫХАТЕЛЬНЫХ ПУТЕЙ, ПО ДАННЫМ АНКЕТИРОВАНИЯ
ПОСЕТИТЕЛЕЙ АПТЕК г. ГРОДНО

Буцько В. В., Гончарук Я. И. 29

ЭКСПЕРИМЕНТАЛЬНАЯ МОДЕЛЬ ХОЛОДОВОЙ ТРАВМЫ

Валентюкевич А. Л., Жукович М. С., Меламед В. Д. 33

ПЕРВЫЙ ОПЫТ ПРИМЕНЕНИЯ КОМПЬЮТЕРНОЙ
ТОМОГРАФИЧЕСКОЙ КОЛОНОСКОПИИ С 3D-
МОДЕЛИРОВАНИЕМ КИШЕЧНИКА У ДЕТЕЙ

Ведник Г. А., Батус В. А. 37

ЭФФЕКТИВНОСТЬ МЕСТНОГО ПРИМЕНЕНИЯ
КОЛЛАГЕНОВОГО БИОМАТЕРИАЛА В ЛЕЧЕНИИ
ХРОНИЧЕСКИХ РАН ПРИ СИНДРОМЕ ДИАБЕТИЧЕСКОЙ
СТОПЫ

Габитов Р.Б. 40

МИКРОНИДЛИНГ В ЛЕЧЕНИИ ПОСЛЕОЖОГОВЫХ РУБЦОВ
КОЖИ

Глуткин А. В., Ломонос Я. А. 44

ГАЗОТРАНСМИТТЕР СЕРОВОДОРОД ПРИ ИНФАРКТЕ
МИОКАРДА В СОЧЕТАНИИ С МЕТАБОЛИЧЕСКИМ
СИНДРОМОМ

Глуткина Н. В., Велисейчик А. А. 48

АНАЛИЗ КАЧЕСТВА ЖИЗНИ ЖЕНЩИН
ПОСТРЕПРОДУКТИВНОГО ВОЗРАСТА

Гончарук Я. И., Буцько В. В. 51

АНАТОМИЯ ПУПОЧНОЙ И ОКОЛОПУПОЧНЫХ ВЕН ВЗРОСЛОГО ЧЕЛОВЕКА

Гордионук Д. М., Денисов С. Д., Лопухов О. В.....54

РОЛЬ ПУПОЧНОЙ ВЕНЫ В КОЛЛАТЕРАЛЬНОМ КРОВОТОКЕ ПРИ ПОРТАЛЬНОЙ ГИПЕРТЕНЗИИ (ПО ДАННЫМ КОМПЬЮТЕРНОЙ ТОМОГРАФИИ)

Гордионук Д. М., Денисов С. Д., Мацкевич П.А.58

АНАЛИЗ РЕКОНСТРУКТИВНО-ПЛАСТИЧЕСКИХ ОПЕРАЦИЙ ПРИ РАКЕ МОЛОЧНОЙ ЖЕЛЕЗЫ В УЗ «ГРОДНЕНСКАЯ УНИВЕРСИТЕТСКАЯ КЛИНИКА»

Грек Н. И., Хоров А. О.....61

КАРИОМЕТРИЧЕСКИЕ ПОКАЗАТЕЛИ ИКРОНОЖНОЙ МЫШЦЫ КРЫС ПРИ ЭКСПЕРИМЕНТАЛЬНОМ ТРИХИНЕЛЛЕЗЕ ЛЕГКОЙ СТЕПЕНИ ТЯЖЕСТИ

Григорович В. В., Бутвиловский А. В., Чернецкий В. А.,
Бутвиловский В. Э.....65

ХАРАКТЕРИСТИКА ЛЕЙКОГРАММЫ ПЕРИТОНЕАЛЬНОЙ ЖИДКОСТИ В ДИНАМИКЕ ЭКСПЕРИМЕНТАЛЬНОГО ПЕРИТОНИТА.....68

Гусаковская Э. В., Патонич И. К., Аль-Рабаи Н. Д.,
Аль-Рабаи Х. Д.....68

ПОЛИМОРФИЗМЫ ГЕНОВ ФОЛАТНОГО ОБМЕНА И УРОВЕНЬ ГОМОЦИСТЕИНА У ПАЦИЕНТОВ С ИШЕМИЧЕСКОЙ БОЛЕЗНЬЮ СЕРДЦА И САХАРНЫМ ДИАБЕТОМ 2-го ТИПА

Давыдчик Э. В., Степура Т. Л., Дорошенко Е. М.72

РЕМОДЕЛИРОВАНИЕ МИОКАРДА ЛЕВОГО ЖЕЛУДОЧКА У ПАЦИЕНТОВ С ФИБРИЛЛЯЦИЕЙ ПРЕДСЕРДИЙ И СЕРДЕЧНОЙ НЕДОСТАТОЧНОСТЬЮ С СОХРАНЕННОЙ ФРАКЦИЕЙ ВЫБРОСА: РОЛЬ ПОЛИМОРФИЗМА LYS198ASN ГЕНА ЭНДОТЕЛИНА-1

Дешко М. С., Горчакова О. В., Давыдчик Э. В., Снежицкий В. А.	77
ОСТРЫЙ КАЛЬКУЛЕЗНЫЙ ХОЛЕЦИСТИТ: СОВРЕМЕННЫЕ ВОЗМОЖНОСТИ ХИРУРГИЧЕСКОГО ЛЕЧЕНИЯ	
Дешук А. Н., Жданович Р. Г., Козлова В. В.	81
ВОЗМОЖНЫЕ ПУТИ ПРИМЕНЕНИЯ ГОСУДАРСТВЕННО- ЧАСТНОГО ПАРТНЕРСТВА В ФИНАНСИРОВАНИИ ЗДРАВООХРАНЕНИЯ РЕСПУБЛИКИ БЕЛАРУСЬ	
Довнар Р. И.	85
СПОСОБ МОДЕЛИРОВАНИЯ ПОСЛЕОПЕРАЦИОННОЙ ВЕНТРАЛЬНОЙ ГРЫЖИ У ЛАБОРАТОРНОЙ КРЫСЫ	
Дудинский А. Н.	88
ВЛИЯНИЕ SN-ПОЛИМОРФИЗМОВ ГЕНОВ СОЕДИНИТЕЛЬНОЙ ТКАНИ НА РАЗВИТИЕ ОЖОГОВОГО СЕПСИСА И ЕГО ИСХОД	
Жилинский Е. В., Ибрагимова Ж. А., Губичева А. В., Марчук С. И., Гуринович В. В., Часнойть А. Ч., Скакун П. В.	91
ЧАСТОТА ВСТРЕЧАЕМОСТИ SN-ПОЛИМОРФИЗМОВ ГЕНОВ ВОСПАЛИТЕЛЬНОГО ОТВЕТА ПРИ СЕПСИСЕ У ПАЦИЕНТОВ С ТЯЖЕЛОЙ ОЖОГОВОЙ ТРАВМОЙ	
Жилинский Е. В., Скакун П. В., Губичева А. В., Ибрагимова Ж. А., Гуринович В. В., Марчук С. И.,	95
ОЦЕНКА УРОВНЕЙ ЭПИДЕРМАЛЬНОГО ФАКТОРА РОСТА И ЦИТОКИНОВ В ПРОГНОЗИРОВАНИИ РАЗВИТИЯ СЕПСИСА У ПАЦИЕНТОВ С ТЯЖЕЛОЙ ОЖОГОВОЙ ТРАВМОЙ	
Жилинский Е. В., Ибрагимова Ж. А., Часнойть А. Ч., Суровцева Е. В., Гуринович В. В.	99

СРАВНИТЕЛЬНАЯ МОРФМЕТРИЧЕСКАЯ ХАРАКТЕРИСТИКА
ТОПОГРАФО-АНАТОМИЧЕСКИХ ПАРАМЕТРОВ ПАХОВОГО
КАНАЛА ПРИ ГРЫЖАХ ША ТИПА

Жук С. А. 103

МОРФОФУНКЦИОНАЛЬНЫЕ ПОКАЗАТЕЛИ
ГИСТАМИНЕРГИЧЕСКИХ НЕЙРОНОВ МОЗГА 5-СУТОЧНОГО
ПОТОМСТВА КРЫС, ПОТРЕБЛЯВШИХ ЭТАНОЛ ВО ВРЕМЯ
БЕРЕМЕННОСТИ

Заерко А. В., Федина Е. М. 107

ВОЗМОЖНОСТИ КАРДИОВАСКУЛЯРНОГО ТЕСТИРОВАНИЯ
В ОЦЕНКЕ СУТОЧНОЙ ДИНАМИКИ АРТЕРИАЛЬНОГО
ДАВЛЕНИЯ У МОЛОДЫХ МУЖЧИН С ГИПЕРТЕНЗИВНЫМ
СИНДРОМОМ

Заяц А. Н. 110

АНТИОКСИДАНТНЫЙ СТАТУС ПАЦИЕНТОВ С
КРОВОТЕЧЕНИЕМ ИЗ ОСТРЫХ ГАСТРОДУОДЕНАЛЬНЫХ
ЯЗВ

Зыблев С. Л. 115

МОНОЦИТАРНОЕ ЗВЕНО ИММУНИТЕТА У РЕЦИПИЕНТОВ С
УДОВЛЕТВОРИТЕЛЬНОЙ ФУНКЦИЕЙ ТРАНСПЛАНТАТА
ПОЧКИ

Зыблева С. В. 119

РОЛЬ ФАРМАКОНАДЗОРА В МОНИТОРИНГЕ
БЕЗОПАСНОСТИ ПРИМЕНЕНИЯ НЕСТЕРОИДНЫХ
ПРОТИВОВОСПАЛИТЕЛЬНЫХ ПРЕПАРАТОВ

Ильницкий С. С., Петрушев Е. А. 122

THE RELATIVE RISK RATES OF THYROID CANCER
MORTALITY AND MORBIDITY AMONG THE POPULATION
FROM POMERANIAN VOIVODESHIP (POLAND)

Olha Kasiyan, Halyna Tkachenko, Svitlana Yurchenko, Iwona
Jazewicz 125

ДИАГНОСТИЧЕСКАЯ ЗНАЧИМОСТЬ ЭЛАСТАЗНОЙ
АКТИВНОСТИ СЫВОРОТКИ КРОВИ И РОТОВОЙ ЖИДКОСТИ
ПАЦИЕНТОВ С ИНФЕКЦИОННО-ВОСПАЛИТЕЛЬНЫМИ
ПРОЦЕССАМИ ЧЕЛЮСТНО-ЛИЦЕВОЙ ОБЛАСТИ

Кабанова А. А. 129

УРОВНИ ОБЩИХ ГОМОЦИСТЕИНА И ГЛУТАТИОНА В
ПЛАЗМЕ КРОВИ КРЫС ПРИ ДЕФИЦИТЕ ТАУРИНА

Кежун С. Р., Дорошенко Е. М. 133

ДИАГНОСТИКА И ЛЕЧЕНИЕ КИСТОЗНЫХ ОБРАЗОВАНИЙ
ПОЧЕК У ДЕТЕЙ

Ковальчук-Болбатун Т. В., Рогульский А. Г. 137

ОЖОГИ ПИЩЕВОДА У ДЕТЕЙ

Ковальчук-Болбатун Т. В., Глуткин А. В., Бондарева П. В. 140

ПСИХОЭМОЦИОНАЛЬНЫЙ СТАТУС ЖЕНЩИН ПОСЛЕ
ПОТЕРИ БЕРЕМЕННОСТИ РАННИХ СРОКОВ В
ЗАВИСИМОСТИ ОТ ТИПА ТЕМПЕРАМЕНТА

Косцова Л. В. 143

СРАВНИТЕЛЬНАЯ ОЦЕНКА ПАРАМЕТРОВ
ТРОМБОЭЛАСТОГРАФИИ ПРИ ПРИМЕНЕНИИ
ФТОРОПЛАСТА «ГРИФТЕКС»

Кудло В. В. 146

ДИСЦИПЛИНИРОВАНИЕ РЕБЕНКА: НАСИЛИЕ В
ОТНОШЕНИИ ДЕТЕЙ

Кузмицкая Ю. Л. 149

ТИП ОТНОШЕНИЯ К БЕРЕМЕННОСТИ: БЕРЕМЕННОСТЬ КАК
НОРМАТИВНЫЙ КРИЗИС РАЗВИТИЯ

Кузмицкая Ю. Л., Шевченко А. О.152

ИССЛЕДОВАНИЕ ЭФФЕКТИВНОСТИ L-ЛИЗИНА ЭСЦИНАТА
В ИНТЕНСИВНОЙ ТЕРАПИИ ЧЕРЕПНО-МОЗГОВОЙ ТРАВМЫ

Кулаков Д. А., Предко В. А., Герасимчик П. А., Чураков А. В. .155

ТОКСОПЛАЗМОЗ И БЕРЕМЕННОСТЬ: КЛИНИЧЕСКИЙ
СЛУЧАЙ

Кухарчик Ю. В., Андралойть Е. М., Пацевич Е. С., Кузьмич И. И.
.....158

ФЕРТИЛЬНОСТЬ ЖЕНЩИН РЕПРОДУКТИВНОГО ВОЗРАСТА
ПОСЛЕ ОПЕРАТИВНОГО ЛЕЧЕНИЯ МИОМЫ МАТКИ В
АНАМНЕЗЕ

Кухарчик Ю. В., Кухарчик И. В.162

КЛИНИЧЕСКИЕ ОСОБЕННОСТИ ТЕЧЕНИЯ ЛЕЙОМИОМЫ И
ЭНДОМЕТРИОЗА У ЖЕНЩИН В РАЗНЫЕ ВОЗРАСТНЫЕ
ПЕРИОДЫ

Кухарчик Ю. В., Кухарчик И. В., Павловская М. А.166

ГИГИЕНИЧЕСКАЯ ОЦЕНКА ПРОДУКТОВОГО НАБОРА
ЖЕНЩИН-ВРАЧЕЙ АКУШЕРОВ-ГИНЕКОЛОГОВ
РЕПРОДУКТИВНОГО ВОЗРАСТА

Лисок Е. С.170

СТРУКТУРА ЗАБОЛЕВАЕМОСТИ АРТЕРИАЛЬНОЙ
ГИПЕРТЕНЗИЕЙ У ДЕТЕЙ В ГРОДНЕНСКОЙ ОБЛАСТИ

Лукша А. В., Слонимская А. В., Шором Ю. К.173

СОСТОЯНИЕ ПРОЦЕССОВ ПЕРЕКИСНОГО ОКИСЛЕНИЯ
ЛИПИДОВ В ЗАДНЕЙ СТЕНКЕ ГЛАЗА В ДИНАМИКЕ
ЭКСПЕРИМЕНТАЛЬНОЙ ПОДПЕЧЕНОЧНОЙ
ОБТУРАЦИОННОЙ ЖЕЛТУХИ

Мармыш В. Г., Гуляй И. Э.177

ВЗАИМОСВЯЗЬ ПОЛИМОРФИЗМА BSM I ГЕНА VDR И
УРОВНЯ ВИТАМИНА D У ДЕТЕЙ С ЮВЕНИЛЬНЫМ
ИДИОПАТИЧЕСКИМ АРТРИТОМ

Мысливец М. Г. 181

ДИАГНОСТИКА СТРЕССОВОГО НЕДЕРЖАНИЯ МОЧИ У
ЖЕНЩИН С ГЕНИТАЛЬНЫМ ПРОЛАПСОМ МЕТОДАМИ
ЛУЧЕВОЙ ВИЗУАЛИЗАЦИИ

Нечипоренко А. С., Михайлов А. Н. 184

АЛГОРИТМ ВЫБОРА МЕТОДА ХИРУРГИЧЕСКОГО ЛЕЧЕНИЯ
ПАХОВЫХ ГРЫЖ У ПАЦИЕНТОВ ПОЖИЛОГО ВОЗРАСТА

Новицкая В. С., Жук С. А. 187

ФОНД НИЗКОМОЛЕКУЛЯРНЫХ СЕРОСОДЕРЖАЩИХ
СОЕДИНЕНИЙ В МОЗЖЕЧКЕ КРЫС ПОСЛЕ МЕТИОНИНОВОЙ
НАГРУЗКИ

Новгородская Я. И. 191

НИЗКОМОЛЕКУЛЯРНЫЕ СЕРОСОДЕРЖАЩИЕ СОЕДИНЕНИЯ
В НЕКОТОРЫХ ОТДЕЛАХ ГОЛОВНОГО МОЗГА КРЫС ПОСЛЕ
МЕТИОНИНОВОЙ НАГРУЗКИ

Новгородская Я. И. 194

THE ANTIBACTERIAL ACTIVITIES OF ETHANOLIC EXTRACT
OBTAINED FROM *RHODODENDRON MYRTIFOLIUM* SCHOTT &
KOTSCHY LEAVES AGAINST CLINICALLY ISOLATED
BACTERIAL STRAINS

Vitaliy Honcharenko, Halyna Tkachenko, Viktor Nachychko, Andriy
Prokopiv, Zbigniew Osadowski..... 198

THE ANTIBACTERIAL ACTIVITY OF ETHANOLIC EXTRACTS
OBTAINED FROM LEAVES OF SOME *THYMUS* (LAMIACEAE)
REPRESENTATIVES AGAINST *ACINETOBACTER BAUMANNII*

Vitaliy Honcharenko, Halyna Tkachenko, Viktor Nachychko, Andriy
Prokopiv, Zbigniew Osadowski..... 202

АППЛИКАЦИОННАЯ РАНЕВАЯ СОРБЦИЯ В КОМПЛЕКСНОМ
ЛЕЧЕНИИ ХИРУРГИЧЕСКОЙ ИНФЕКЦИИ И АБСЦЕССОВ
МЯГКИХ ТКАНЕЙ

Ославский А. И., Качук Д. Н., Жук Е. С., Коноплицкая Е. В.206

РОЛЬ ПСИХОЛОГИЧЕСКОГО И ФАРМАКОЛОГИЧЕСКОГО
ВОЗДЕЙСТВИЯ В ЛЕЧЕНИИ ПАЦИЕНТОВ С ТЕРМИЧЕСКИМИ
ОЖОГАМИ

Ославский А. И., Рекеть А. О., Киселевич Е. С.,
Шамигулова В. И., Головня В. И.210

СВОБОДНЫЕ АМИНОКИСЛОТЫ ПЛАЗМЫ КРОВИ ПОСЛЕ
ОДНОКРАТНОГО ВНУТРИЖЕЛУДОЧНОГО ВВЕДЕНИЯ
ТАУРИНА

Павлюковец А. Ю.214

ОЦЕНКА РИСКОВ ТОКСИЧНОСТИ НЕСТЕРОИДНЫХ
ПРОТИВОВОСПАЛИТЕЛЬНЫХ ПРЕПАРАТОВ

Петрушев Е. А., Стадинская Е. И., Гулепов В. В.218

РЕЗУЛЬТАТЫ ХИРУРГИЧЕСКОГО ЛЕЧЕНИЯ ГИДРОНЕФРОЗА
У ДЕТЕЙ

Рогульский А. Г., Ковальчук-Болбатун Т. В.221

ВЛИЯНИЕ СПИРТОВОГО РАСТВОРА
ФОТОСЕНСИБИЛИЗАТОРА НИЛЬСКОГО СИНЕГО НА
УЛЬТРАСТРУКТУРНЫЕ ЭЛЕМЕНТЫ БРЮШИНЫ КРЫС

Русин В. И.224

НЕСПЕЦИФИЧЕСКАЯ РЕЗИСТЕНТНОСТЬ КРОВИ КРЫС С
ЭКСПЕРИМЕНТАЛЬНЫМ ПЕРИТОНИТОМ ПОСЛЕ
ПРИМЕНЕНИЯ ФОТОДИНАМИЧЕСКОЙ ТЕРАПИИ С
НИЛЬСКИМ СИНИМ И КРАСНЫМ ЛАЗЕРОМ

Русин В. И.227

НАСЛЕДСТВЕННЫЙ АНАМНЕЗ У ПАЦИЕНТОК С НОВООБРАЗОВАНИЯМИ ЯИЧНИКОВ.....	229
Савлук В. В.	229
РОЛЬ ЦИТОЛОГИИ В МЕНЕДЖМЕНТЕ ИНТРАЭПИТЕЛИАЛЬНЫХ ДИСПЛАЗИЙ И НЕИНВАЗИВНОГО РАКА ШЕЙКИ МАТКИ	
Станько Д. Э., Василькевич М. И.	233
ИЗУЧЕНИЕ КЛИНИЧЕСКОЙ АНАТОМИИ ТЕМЕННОГО ОТВЕРСТИЯ МЕТОДОМ ЦИФРОВОЙ КРАНИОМЕТРИИ	236
Татур А. А., Денисов С. Д.	236
РАСПРОСТРАНЕННОСТЬ ФАКТОРОВ РИСКА У ПАЦИЕНТОВ С НЕТРАВМАТИЧЕСКИМ ВНУТРИМОЗГОВЫМ КРОВОИЗЛИЯНИЕМ	
Тименова С. В.	240
МИНИМАЛЬНО-ИНВАЗИВНЫЙ КОМБИНИРОВАННЫЙ КОСТНО-ПЛАСТИЧЕСКИЙ МЕТОД ЛЕЧЕНИЯ КОСТНЫХ КИСТ	
Хотим О. А.	244
ЭКСПЕРИМЕНТАЛЬНЫЙ МЕТОД ЛЕЧЕНИЯ ТЕРМИЧЕСКИХ ОЖОГОВ КОЖНЫХ ПОКРОВОВ	
Часнойть А. Ч.	247
СРОДСТВО ГЕМОГЛОБИНА К КИСЛОРОДУ ПРИ ТУБЕРКУЛЕЗЕ ЛЕГКИХ И ЕГО ДИНАМИКА ПРИ КОМПЛЕКСНОМ ЛЕЧЕНИИ	
Шейфер Ю. А.	251
ВЗАИМОСВЯЗЬ МЕЖДУ СОДЕРЖАНИЕМ КОРТИЗОЛА, КОЛЛАГЕНА IV ТИПА И ГЛИЦИНА В ПЛАЗМЕ КРОВИ ПАЦИЕНТОВ С ГАСТРОЭЗОФАГЕАЛЬНОЙ РЕФЛЮКСНОЙ БОЛЕЗНЬЮ И СИНДРОМОМ ОБСТРУКТИВНОГО АПНОЭ/ГИПОПНОЭ СНА	

Шелкович Ю. Я., Шишко В. И.....255

КЛИНИКО-ЛАБОРАТОРНАЯ ХАРАКТЕРИСТИКА ПАЦИЕНТОВ
ПОСЛЕ ПОЛУЧЕНИЯ ПРЕПАРАТОВ ПРЯМОГО
ПРОТИВОВИРУСНОГО ДЕЙСТВИЯ ДЛЯ ЛЕЧЕНИЯ ХГС

Хомбак О. А., Матиевская Н. В., Тарасевич А. М.,
Сказка А. Э.....263

Репозиторий ГРГМУ

Научное издание

**СОВРЕМЕННЫЕ ДОСТИЖЕНИЯ
МОЛОДЫХ УЧЁНЫХ В МЕДИЦИНЕ 2019**

*Сборник материалов
VI Республиканской научно-практической конференции
с международным участием*

29 ноября 2019 года

Ответственный за выпуск С. Б. Вольф

Компьютерная верстка С. В. Петрушина, А. А. Хартанович

Подписано в печать 27.11.2019

Тираж 15 экз. Заказ 190.

Издатель и полиграфическое исполнение

Учреждение образования

«Гродненский государственный медицинский университет»

ЛП № 02330/445 от 18.12.2013. Ул. Горького, 80, 230009, Гродно